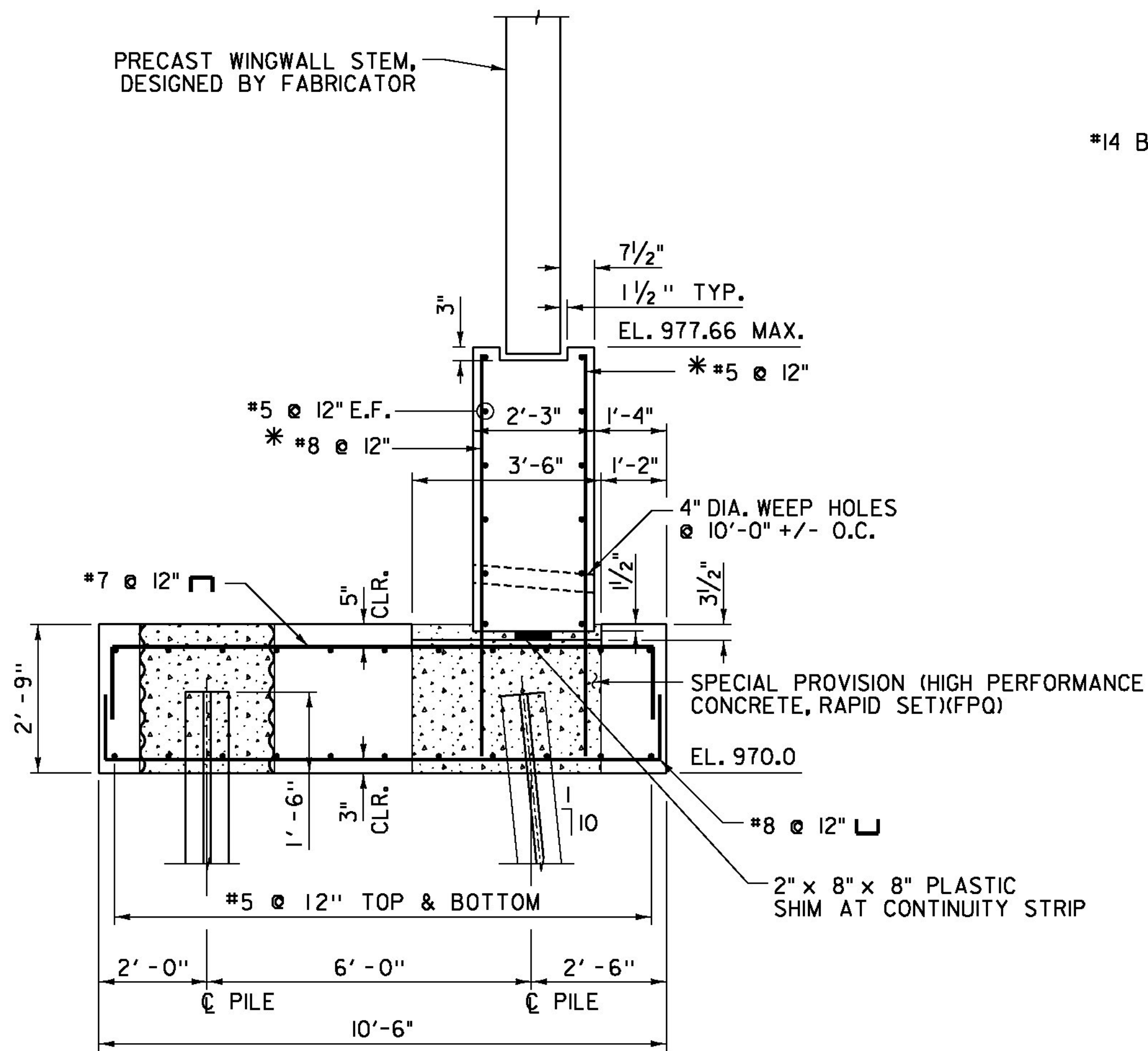
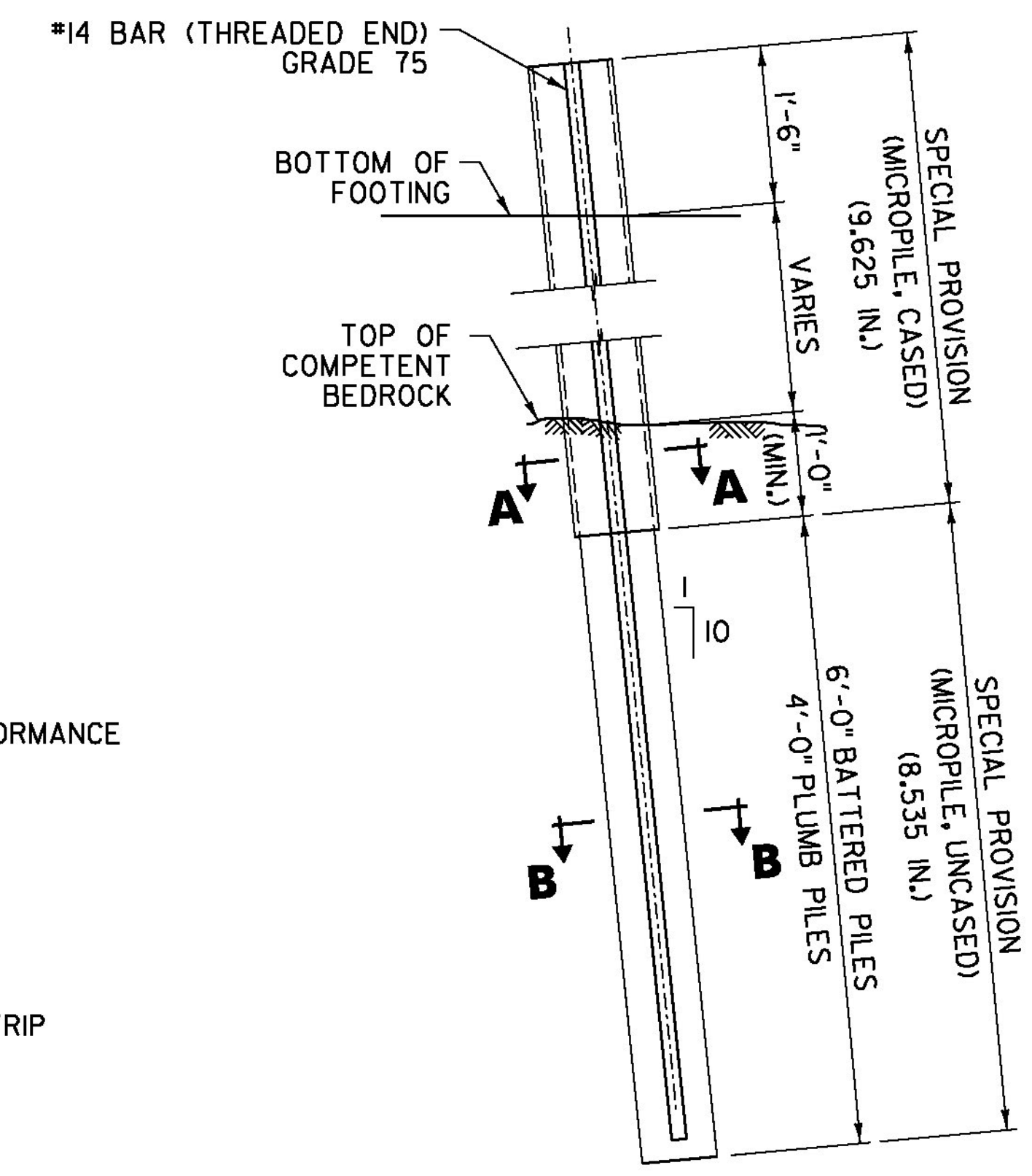


**SECTION A-A**  
SCALE: 1/2" = 1'-0"  
PEDESTAL WALL AT FRAME

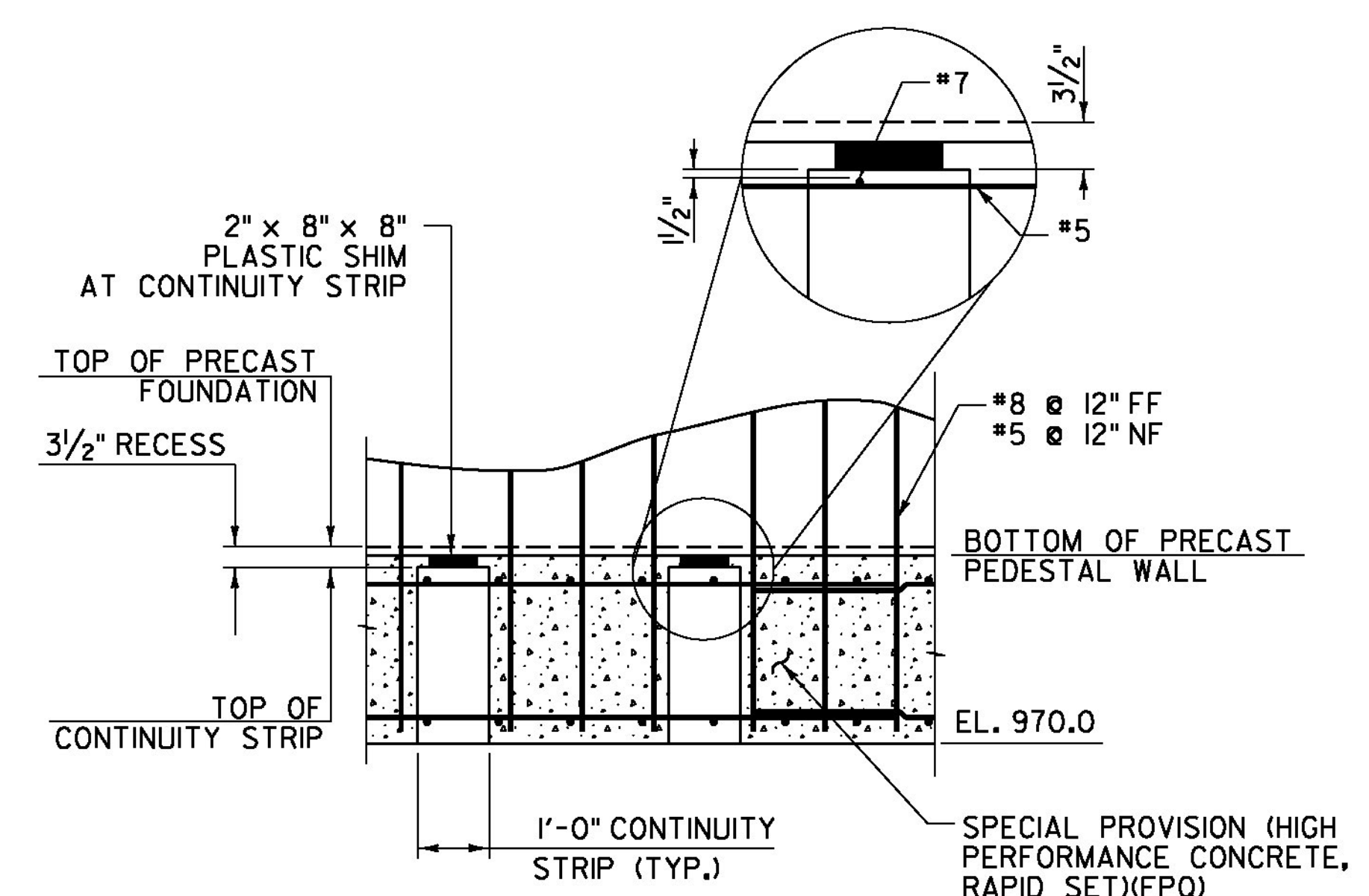


**SECTION B-B**  
SCALE: 1/2" = 1'-0"  
PEDESTAL WALL AT WINGWALL

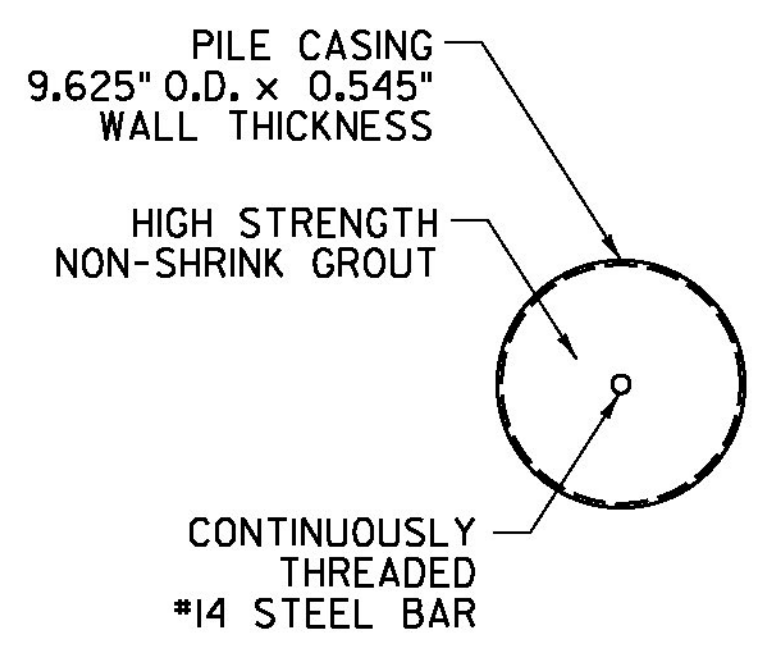


**MICROPILE DETAIL AND PAY LIMITS**  
NOT TO SCALE

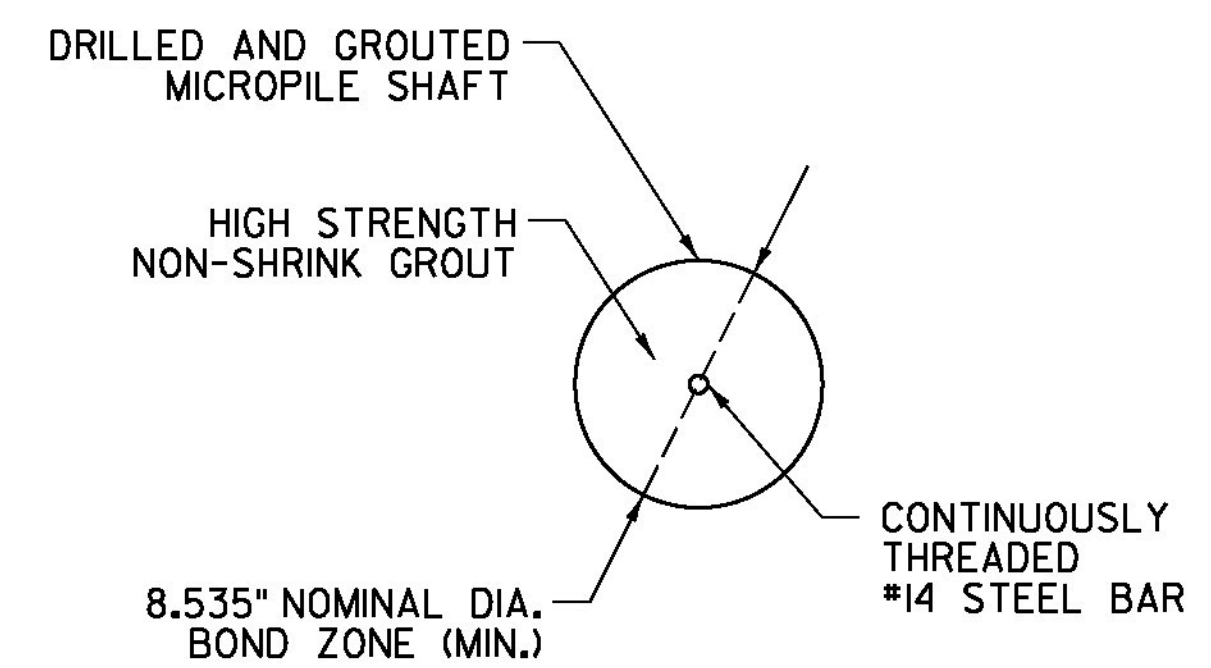
NOTE:  
BATTERED PILE SHOWN,  
PLUMB PILE SIMILAR.



**SECTION D-D**  
SCALE: 1/2" = 1'-0"  
PEDESTAL WALL AT FRAME  
MICROPILE NOT SHOWN



**CASED MICROPILE SECTION A**  
NOT TO SCALE



**UNCASED MICROPILE SECTION B**  
NOT TO SCALE



PROJECT NAME: WOODSTOCK	PLOT DATE: 9/2/2015
PROJECT NUMBER: BRF 015(21)	DRAWN BY: L. BUXTON
FILE NAME: z10c426struct.pldgn	CHECKED BY: T. KNIGHT
PROJECT LEADER: G. BOGUE	DESIGNED BY: N. TIRK
STRUCTURE DETAILS	SHEET 32 OF 50