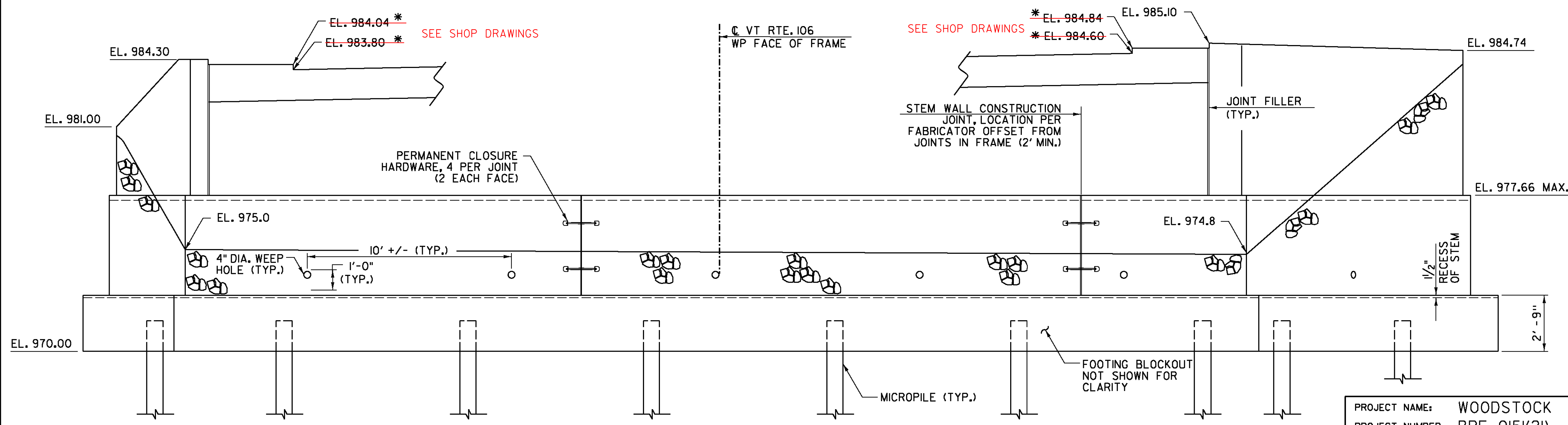


PEDESTAL 2 PLAN
SCALE 3/8" = 1'-0"

- LEGEND**
- VERTICAL MICROPILE
 - ◐ MICROPILE BATTERED 1 HORIZ. TO 10 VERT.



PEDESTAL 2 ELEVATION
SCALE 3/8" = 1'-0"

- NOTES:**
1. * ELEVATION AT FACE OF FRAME LEG.
 2. FOR SECTIONS A-A, B-B AND STEM WALL CONSTRUCTION JOINT DETAIL REFER TO SHEET 32.



PROJECT NAME:	WOODSTOCK	PLOT DATE:	9/2/2015
PROJECT NUMBER:	BRF 015(21)	DRAWN BY:	L. BUXTON
FILE NAME:	z10c426abut_2.pl_elev.dgn	DESIGNED BY:	N. TIRK
PROJECT LEADER:	G. BOGUE	CHECKED BY:	T. KNIGHT
PEDESTAL FRAME 2 PLAN AND ELEVATION		SHEET 30 OF 50	