

PEDESTAL I FOUNDATION PLAN & PILE LAYOUT

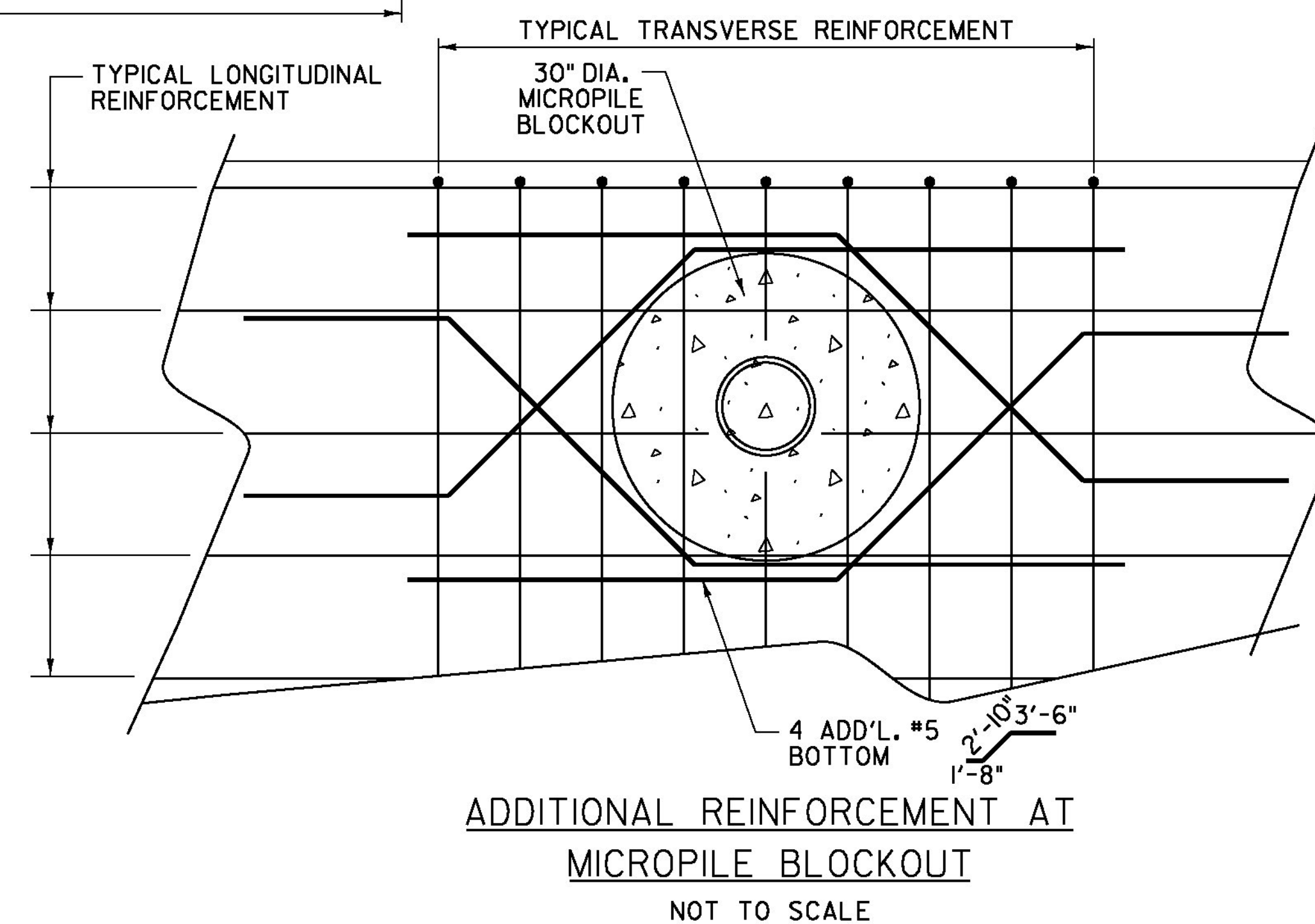
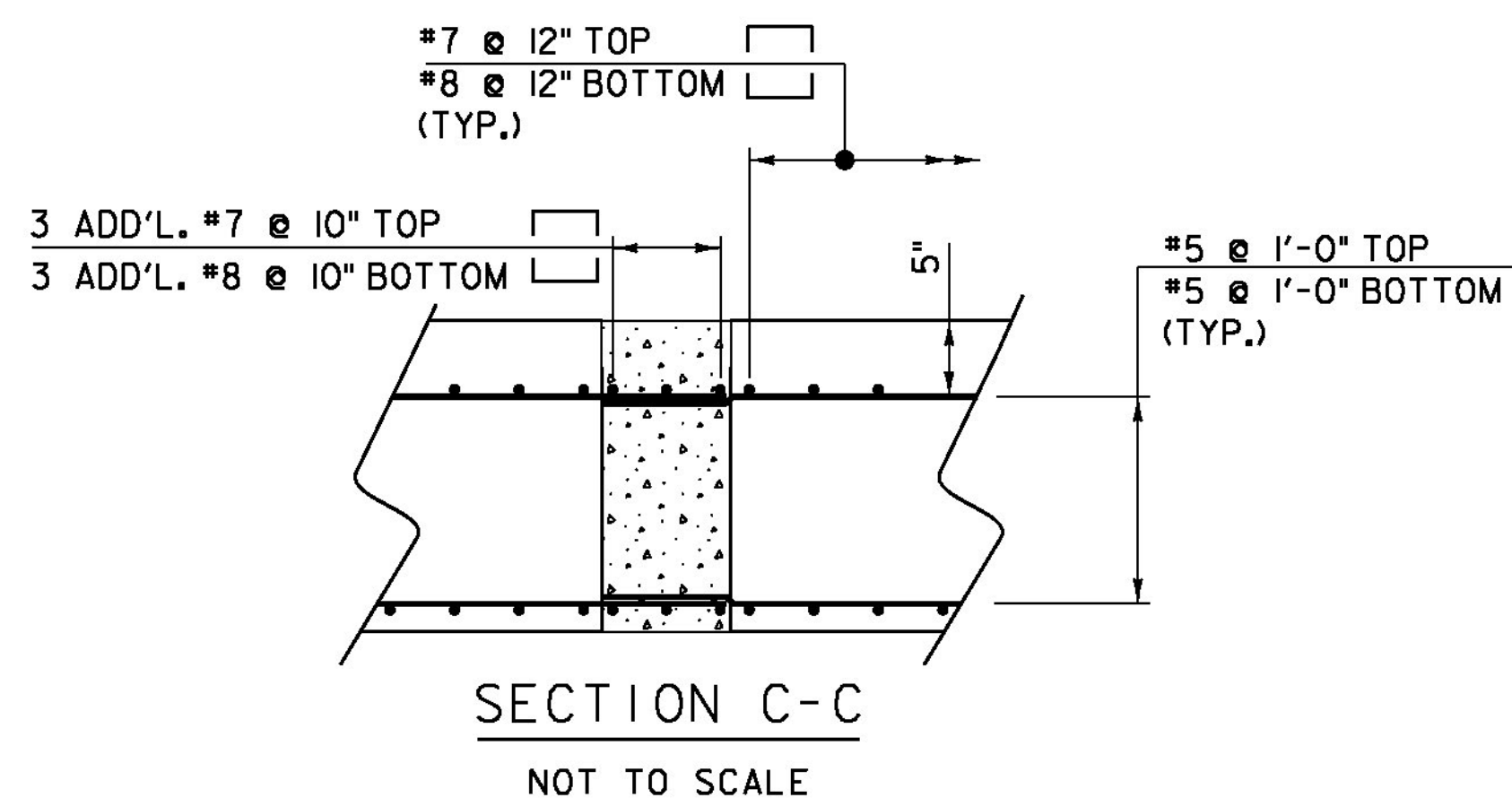
SCALE 3/8" = 1'-0"

LEGEND

- PI-XX VERTICAL MICROPILE
- ◐ PI-XX MICROPILE BATTERED 1 HORIZ. TO 10 VERT.
- ▨ SPECIAL PROVISION (HIGH PERFORMANCE CONCRETE, RAPID SET)(FPO)

NOTES:

1. REINFORCEMENT IS TO BE CONTINUOUS THROUGH THE BLOCKOUTS. THE DESIGN ALLOWS FOR ONE BAR IN EACH DIRECTION OF THE BOTTOM MAT OF REINFORCEMENT TO BE CUT IN THE FIELD IF THE BAR INTERFERES WITH THE PILE HEAD.
2. CENTER OF PILES GIVEN AT BOTTOM OF FOOTING.
3. ALL REINFORCEMENT IN CLOSURE POURS WILL BE PAID UNDER ITEM 507.11, REINFORCING STEEL, LEVEL 1(FPO).
4. FOR SECTIONS A-A AND B-B & D-D REFER TO SHEET 32.



PROJECT NAME:	WOODSTOCK	FILE NAME:	z10c426pedl.ftg pl.dgn	PLOT DATE:	9/24/2015
PROJECT NUMBER:	BRF 015(21)	PROJECT LEADER:	G. BOGUE	DRAWN BY:	L. BUXTON
		DESIGNED BY:	N. TIRK	CHECKED BY:	T. KNIGHT
		PEDESTAL I FOOTING PLAN & PILE LAYOUT		SHEET	29 OF 50

