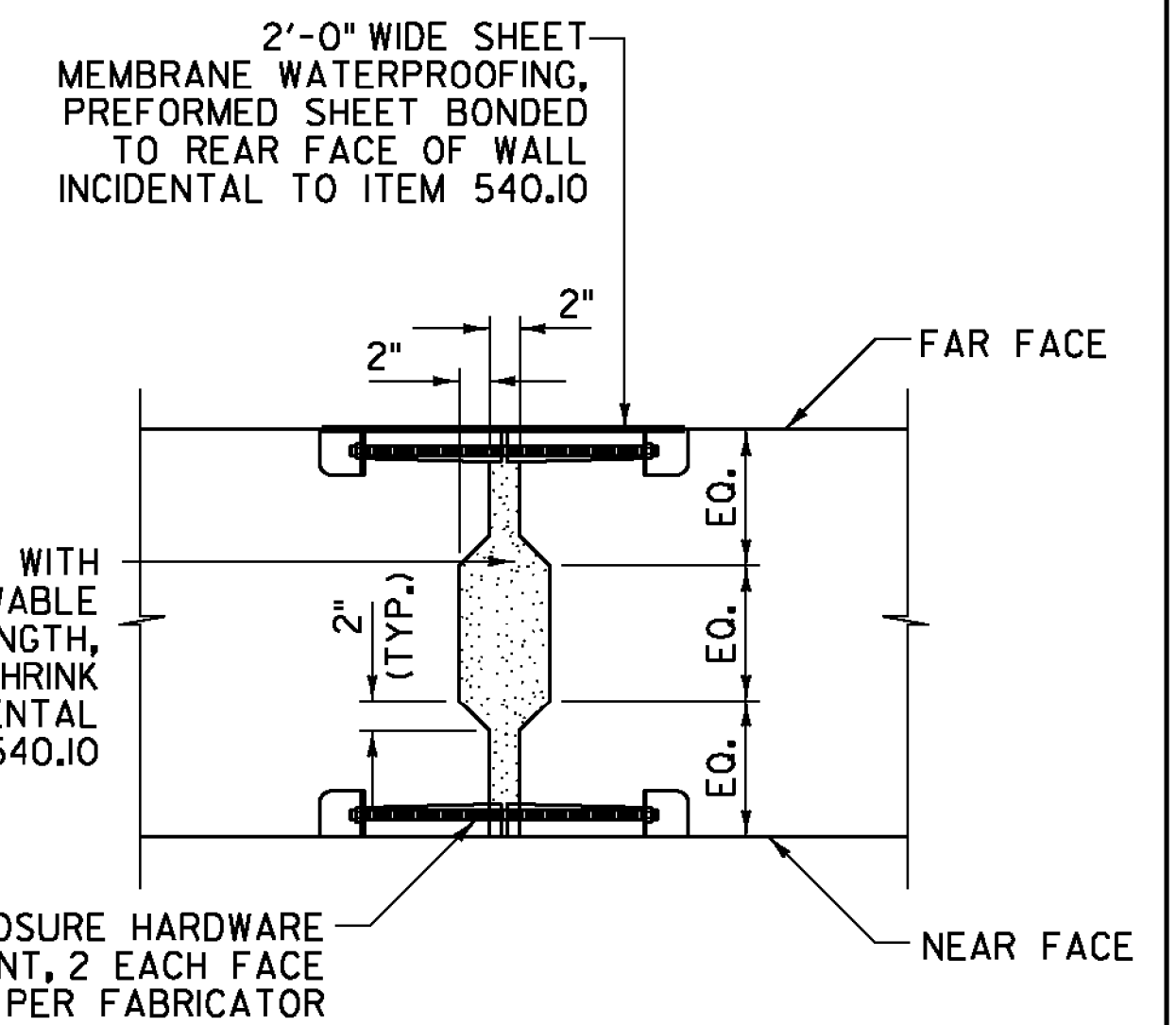
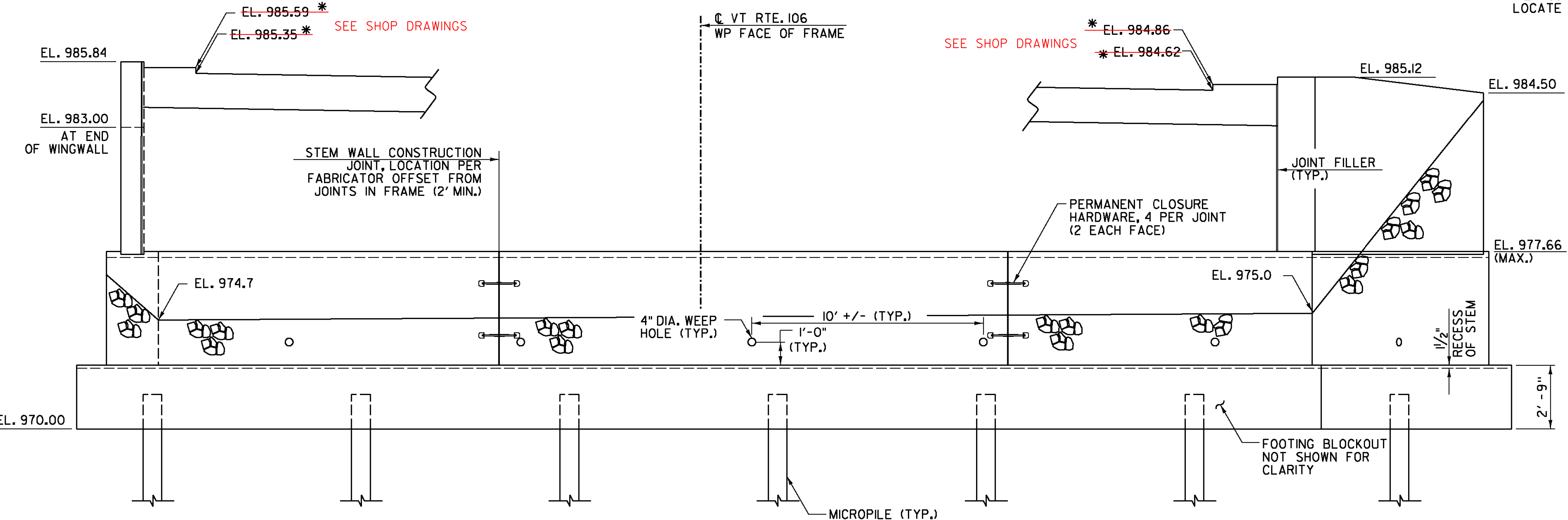


PEDESTAL I PLAN
SCALE 3/8" = 1'-0"

LEGEND
 ○ VERTICAL MICROPILE
 ⊙ MICROPILE BATTERED 1 HORIZ. TO 10 VERT.

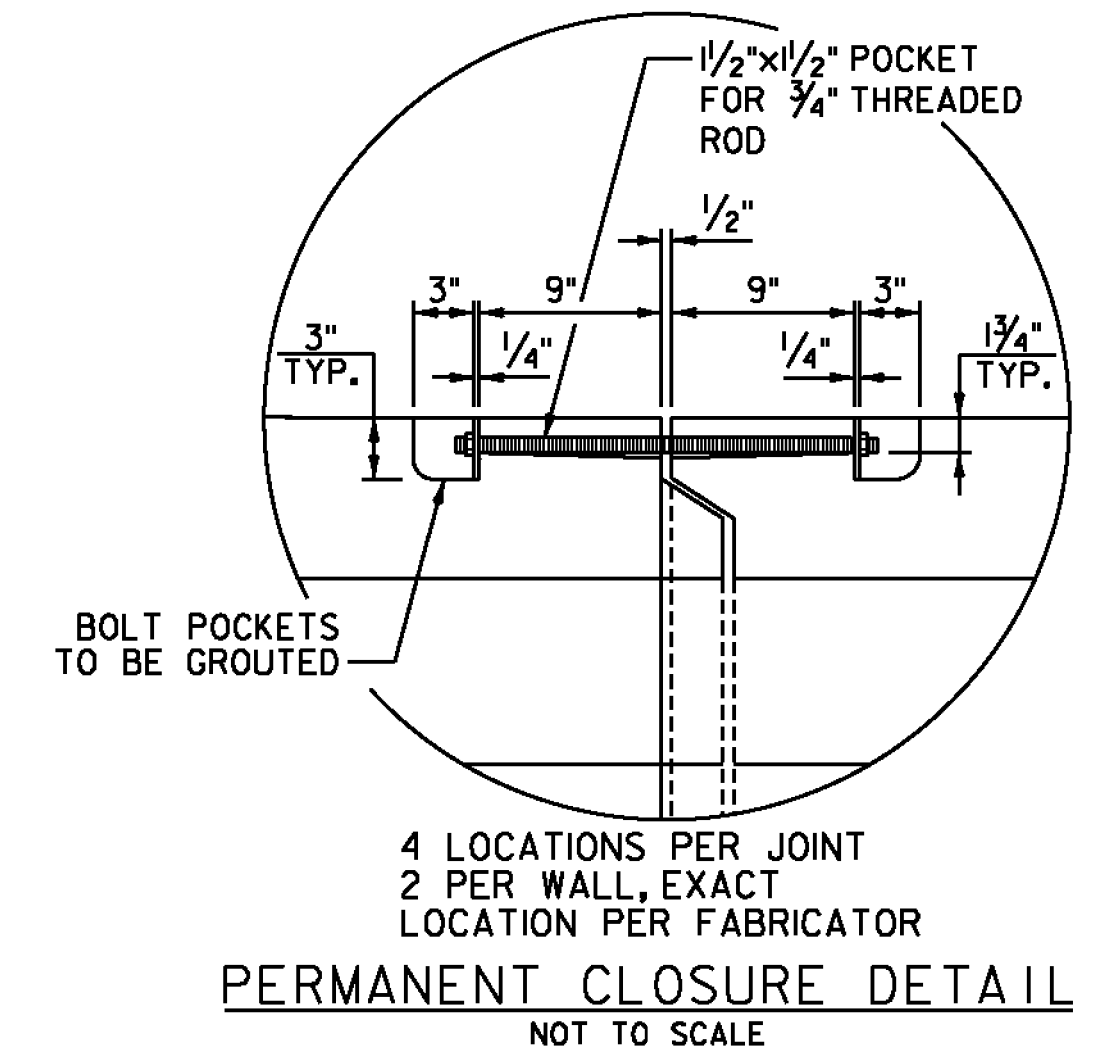


STEM WALL CONSTRUCTION JOINT DETAIL
SCALE 1" = 1'-0"



PEDESTAL I ELEVATION
SCALE 3/8" = 1'-0"

NOTES:
 1. * ELEVATION AT FACE OF FRAME LEG.
 2. FOR SECTIONS A-A, B-B AND STEM WALL CONSTRUCTION JOINT DETAIL REFER TO SHEET 32.



PERMANENT CLOSURE DETAIL
NOT TO SCALE

PROJECT NAME:	WOODSTOCK	FILE NAME:	z10c426abut_1.pl.elev.dgn	PLOT DATE:	9/2/2015
PROJECT NUMBER:	BRF 015(21)	PROJECT LEADER:	G. BOGUE	DRAWN BY:	L. BUXTON
		DESIGNED BY:	N. TIRK	CHECKED BY:	T. KNIGHT
		PEDESTAL FRAME I PLAN AND ELEVATION			SHEET 28 OF 50

