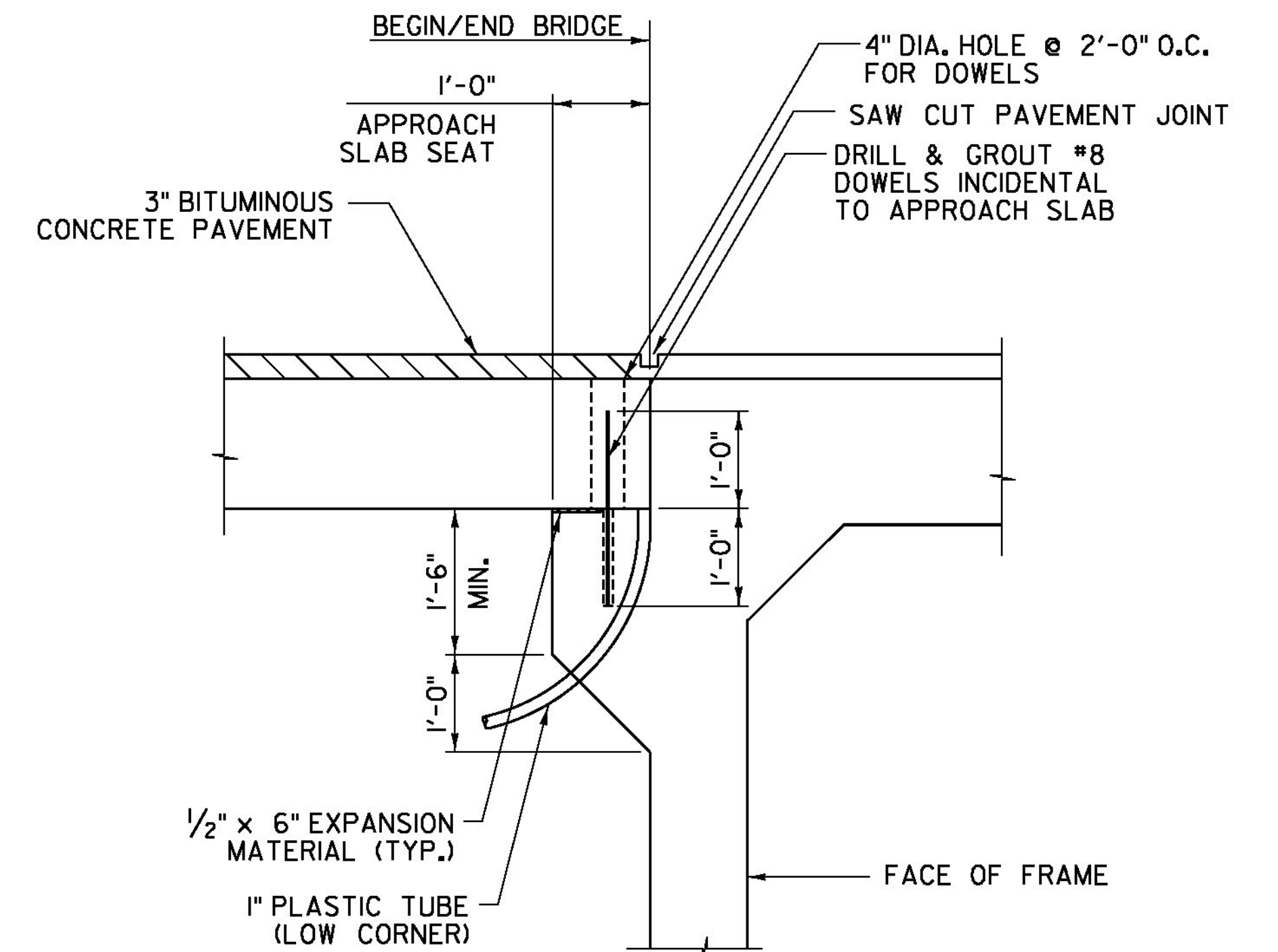


APPROACH SLAB 2 - PLAN
SCALE: 1/4" = 1'-0"



REINFORCEMENT NOT SHOWN

BRIDGE END DETAIL
SCALE 3/4" = 1'-0"

PROJECT NAME:	WOODSTOCK	FILE NAME:	z10c426appslab.dgn	PLOT DATE:	9/2/2015
PROJECT NUMBER:	BRF 015(21)	PROJECT LEADER:	G. BOGUE	DRAWN BY:	J. SOTER
		DESIGNED BY:	N. TIRK	CHECKED BY:	T. KNIGHT
		APPROACH SLAB DETAILS 2			SHEET 27 OF 50

