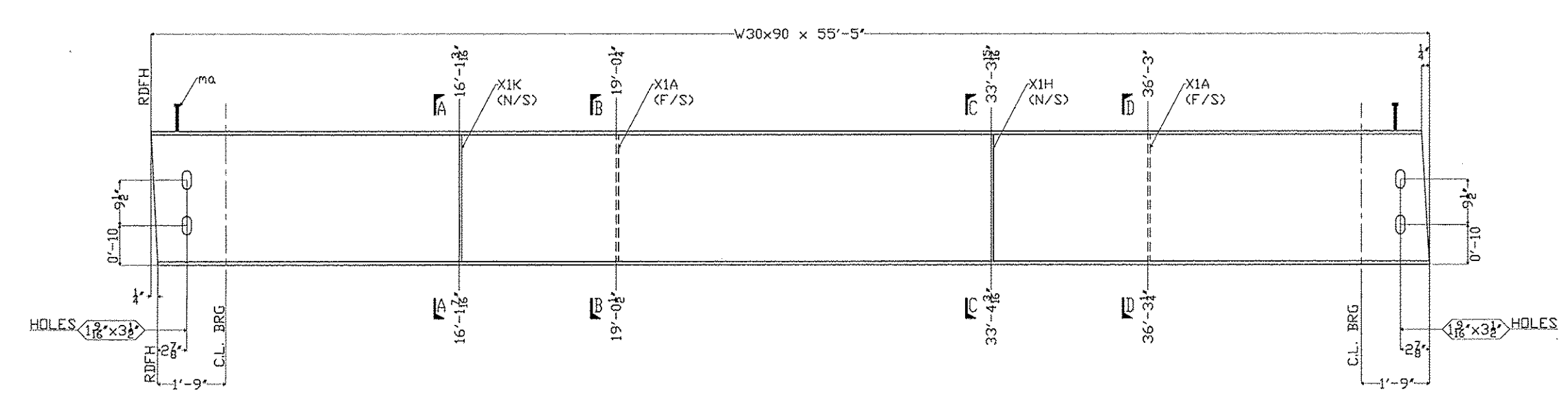
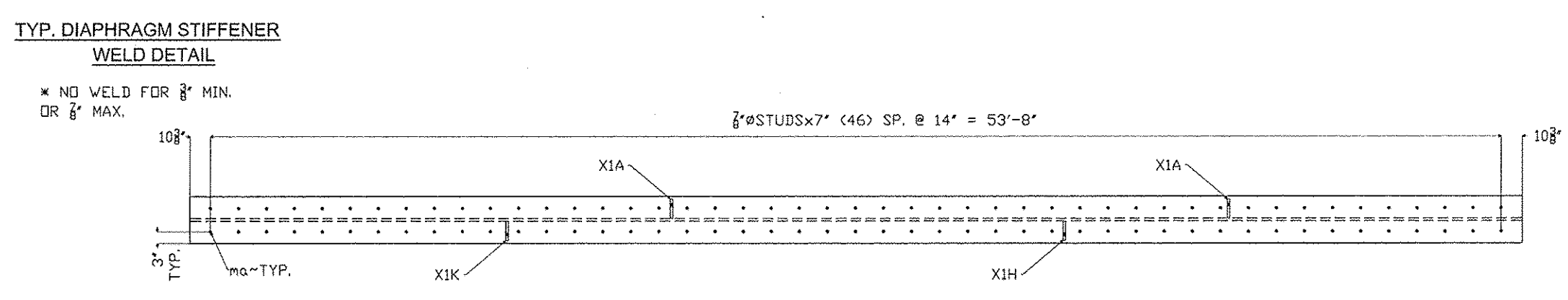
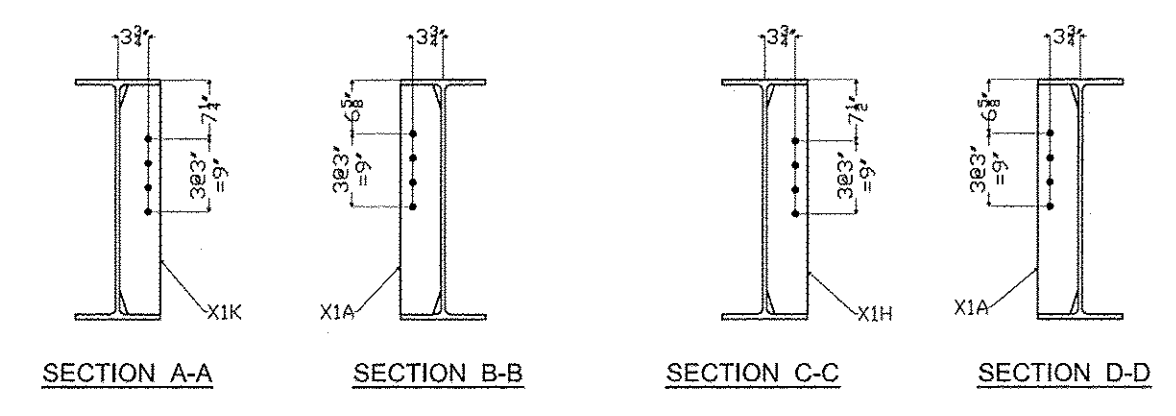


SHIPPER		BILL OF MATERIAL						
NO.	MARK	NO.	MARK	SIZE	LENGTH	REMARKS	REV	WEIGHT
1	4B1	2	XIA	1/2\"/>				



RECEIVED
 OK'D BY _____ OK'D BY RSY
 OCT 17 2011
 RESUBMIT _____ APPROVED _____
 BY _____ DATE 10/18/2011



SHOP NOTES
 HOLES: 15/16\"/>

PRECISE STRUCTURAL PRODUCTS
 3 FARM LANE
 GEORGETOWN, MA 01833
 (978) 382-3292
 OWNER: VT AGENCY OF TRANSPORTATION
 CONTRACTOR: LUCK BROTHERS INC
 DRAWN BY: ENGINEER: SET. REV. DATE: 10/18/11
 SHEET NO. 4