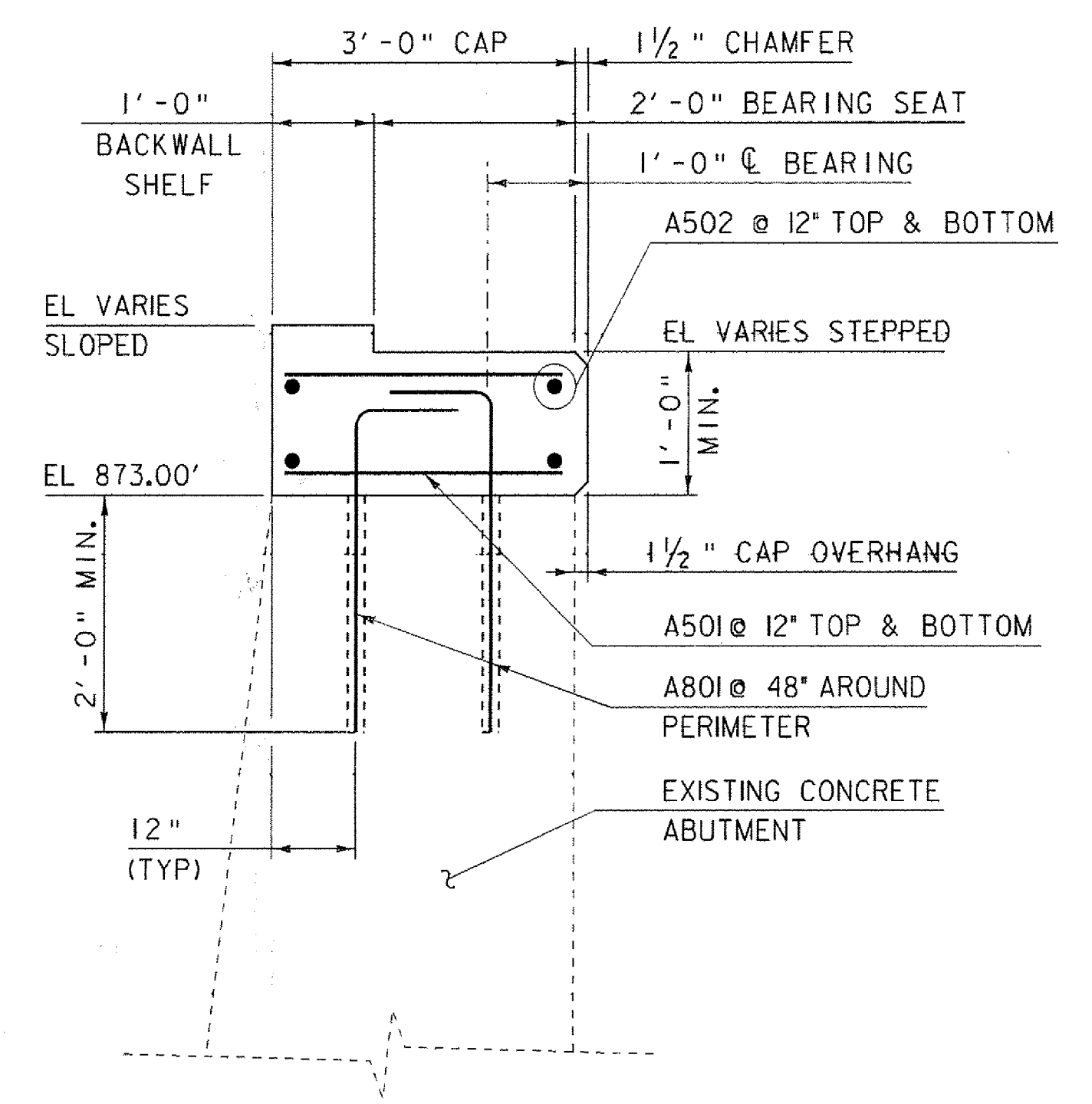
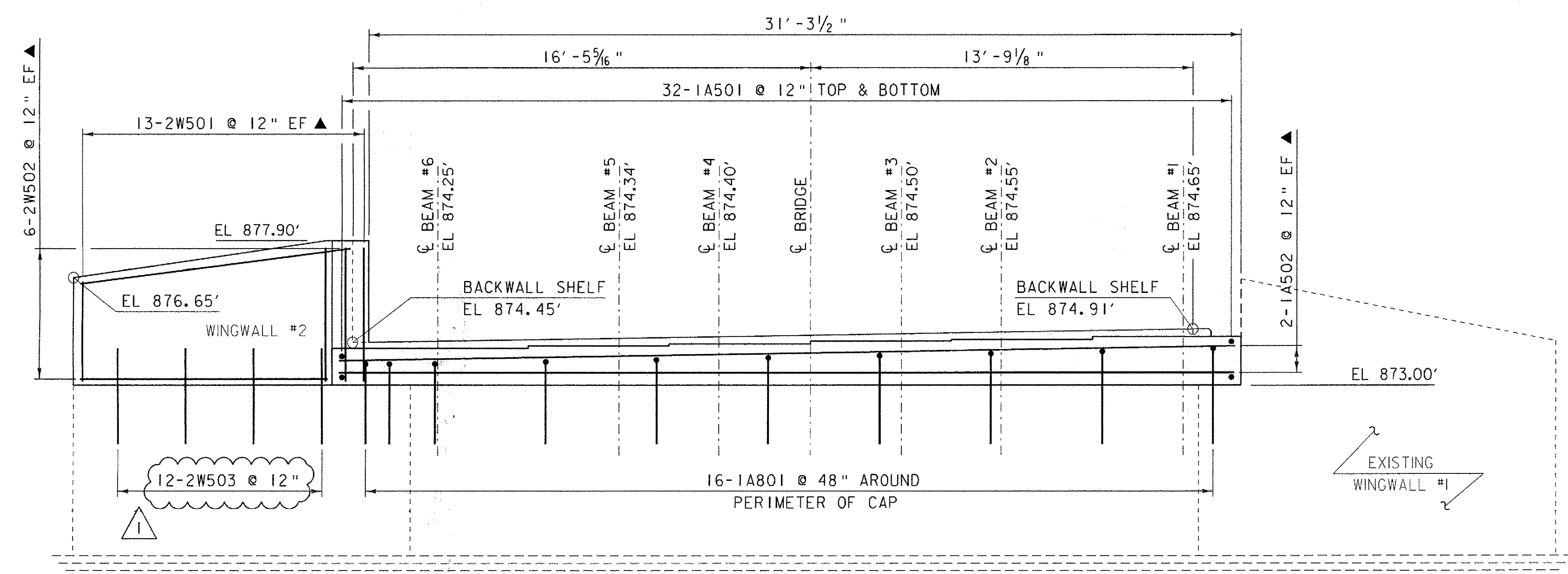


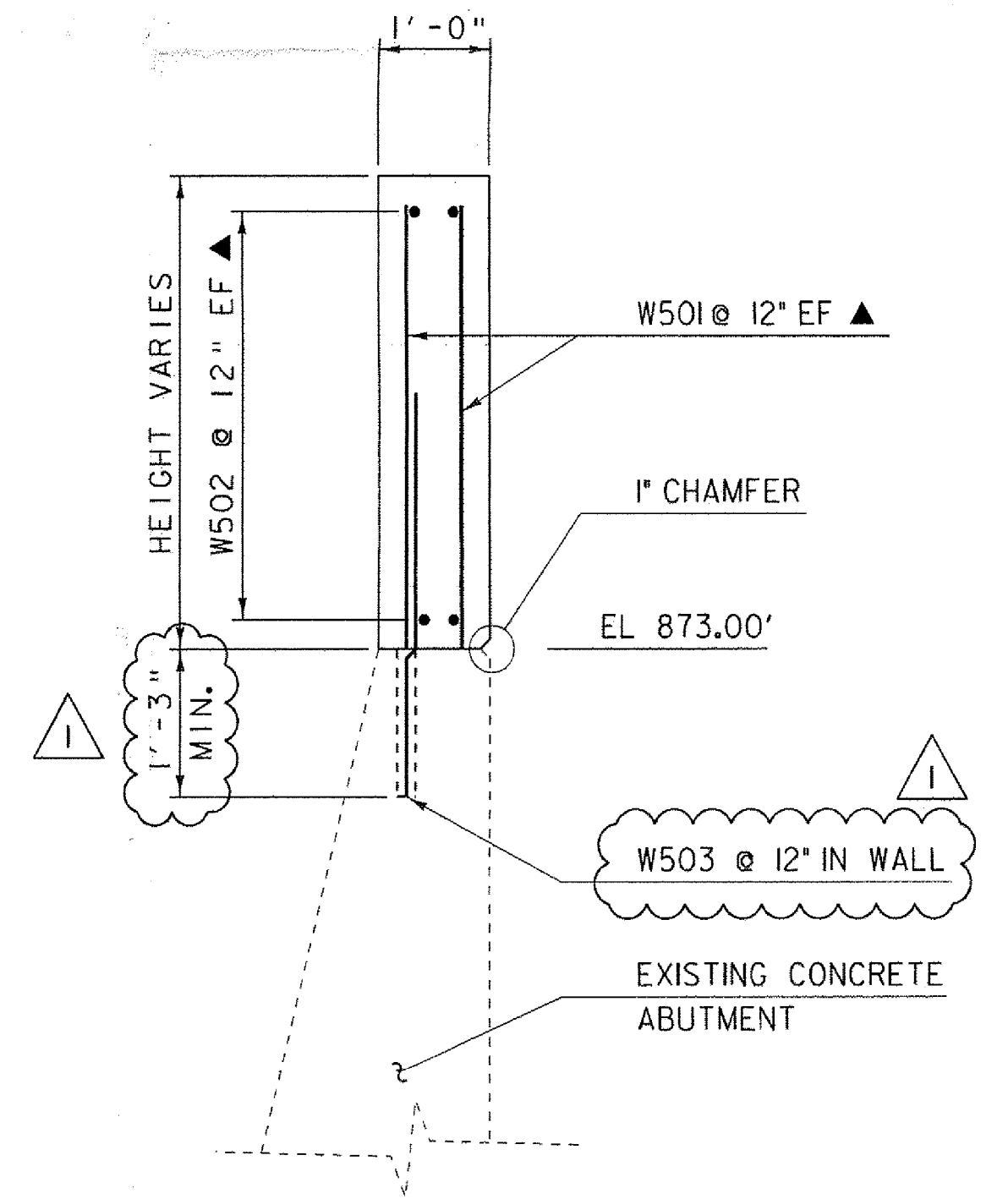
ABUTMENT I PLAN
SCALE: 3/8" = 1'-0"



ABUTMENT TYPICAL SECTION
SCALE: 3/4" = 1'-0"



ABUTMENT I ELEVATION
SCALE: 3/8" = 1'-0"



WINGWALL NOS. 2 & 4 TYPICAL SECTION
SCALE: 3/4" = 1'-0"

NOTE:
 NF = NEAR FACE
 FF = FAR FACE
 EF = EACH FACE
 ▲ = CUT TO FIT IN FIELD
 3" CLEAR, UNLESS OTHERWISE SPECIFIED ON THE PLANS.
 2'-2" BAR LAP UNLESS OTHERWISE SPECIFIED ON THE PLANS.

REVISION	DATE	DESCRIPTION	BY
1	11-7-2011	WW REBAR REV. AND DIMENSION CL EXTERIOR BEAM BEARING LOCATION	MCL

PROJECT NAME: ROXBURY	PLOT DATE: 07-NOV-2011
PROJECT NUMBER: BHF 0187 (8)	DRAWN BY: M. LONGSTREET
FILE NAME: st0c420sub.dgn	CHECKED BY: E.R.CHARBONNEAU
DESIGNED BY: R.S. YOUNG	SHEET 23A OF 35
ABUTMENT #1 PLAN & ELEVATION	