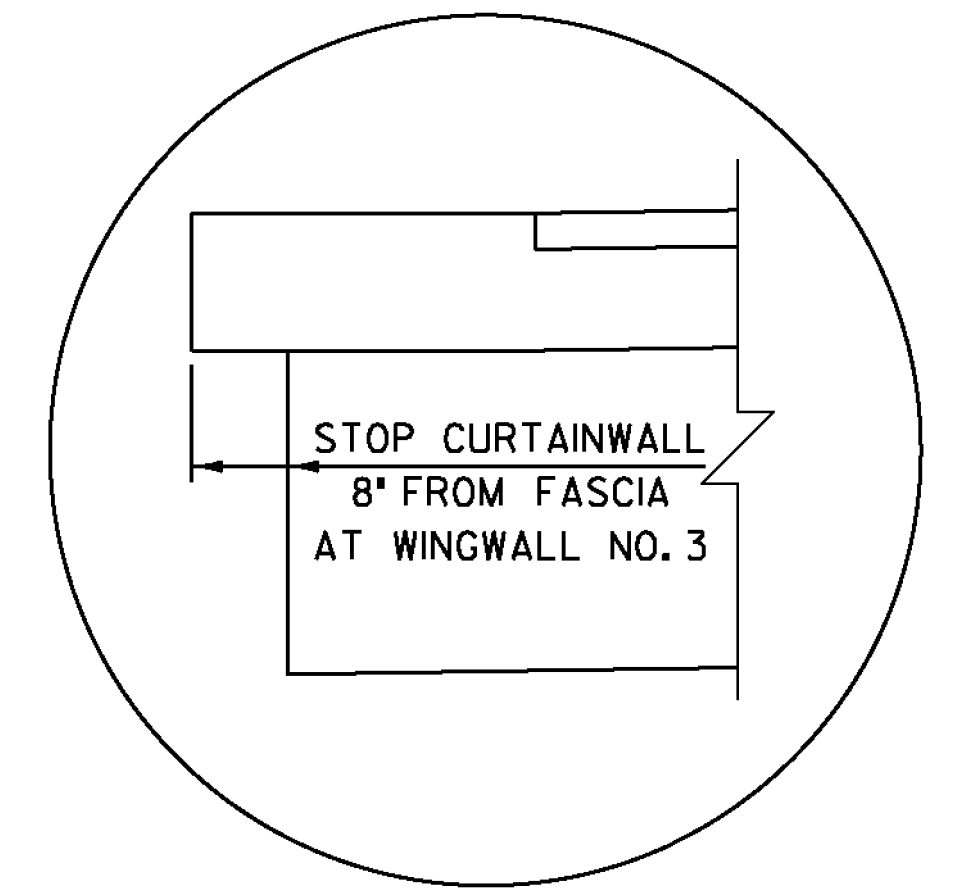


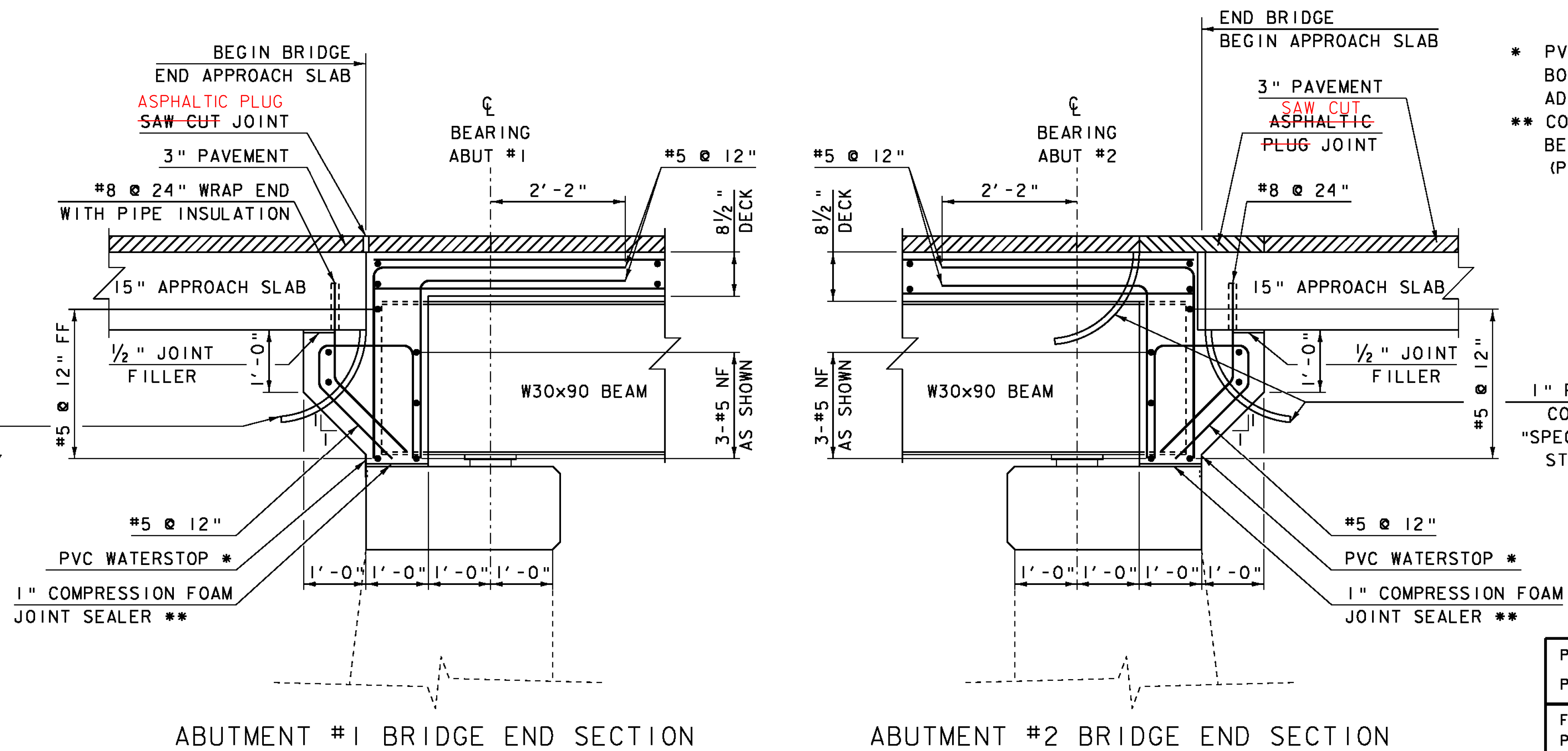
CURTAINWALL TYPICAL SECTION



UNIT NO. 1 @ ABUTMENT NO. 2

**NOTE:**

- NF = NEAR FACE
- FF = FAR FACE
- EF = EACH FACE
- ▲ = CUT TO FIT IN FIELD
- 3" CLEAR, UNLESS OTHERWISE SPECIFIED ON THE PLANS.
- 2'-2" BAR LAP UNLESS OTHERWISE SPECIFIED ON THE PLANS.



- \* PVC WATERSTOP SHALL HAVE TOP LEGS CLIPPED. BOND TO END OF PRESTRESSED UNITS WITH APPROVED ADHESIVE. WATERSTOP TO EXTEND ACROSS ALL UNITS.
- \*\* COST OF 1" COMPRESSION FOAM JOINT SEALER SHALL BE INCLUDED IN ITEM 900.675 "SPECIAL PROVISION (PRECAST CONCRETE/STEEL COMPOSITE SUPERSTRUCTURE)"

1" PLASTIC DRAINAGE TUBE ON THE LOW CORNER, INCLUDED IN ITEM 900.675 "SPECIAL PROVISION (PRECAST CONCRETE/STEEL COMPOSITE SUPERSTRUCTURE)"

1" PLASTIC DRAINAGE TUBE ON THE LOW CORNER, INCLUDED IN ITEM 900.675 "SPECIAL PROVISION (PRECAST CONCRETE/STEEL COMPOSITE SUPERSTRUCTURE)"

ABUTMENT #1 BRIDGE END SECTION

ABUTMENT #2 BRIDGE END SECTION

PROJECT NAME: ROXBURY	PLOT DATE: 21-SEP-2011
PROJECT NUMBER: BHF 0187(8)	DRAWN BY: D.D.BEARD
FILE NAME: sl0c420sup.dgn	CHECKED BY: E.R.Charbonneau
PROJECT LEADER: C.P.WILLIAMS	SHEET 20 OF 54
DESIGNED BY: E.R.Charbonneau	
CURTAINWALL DETAILS	