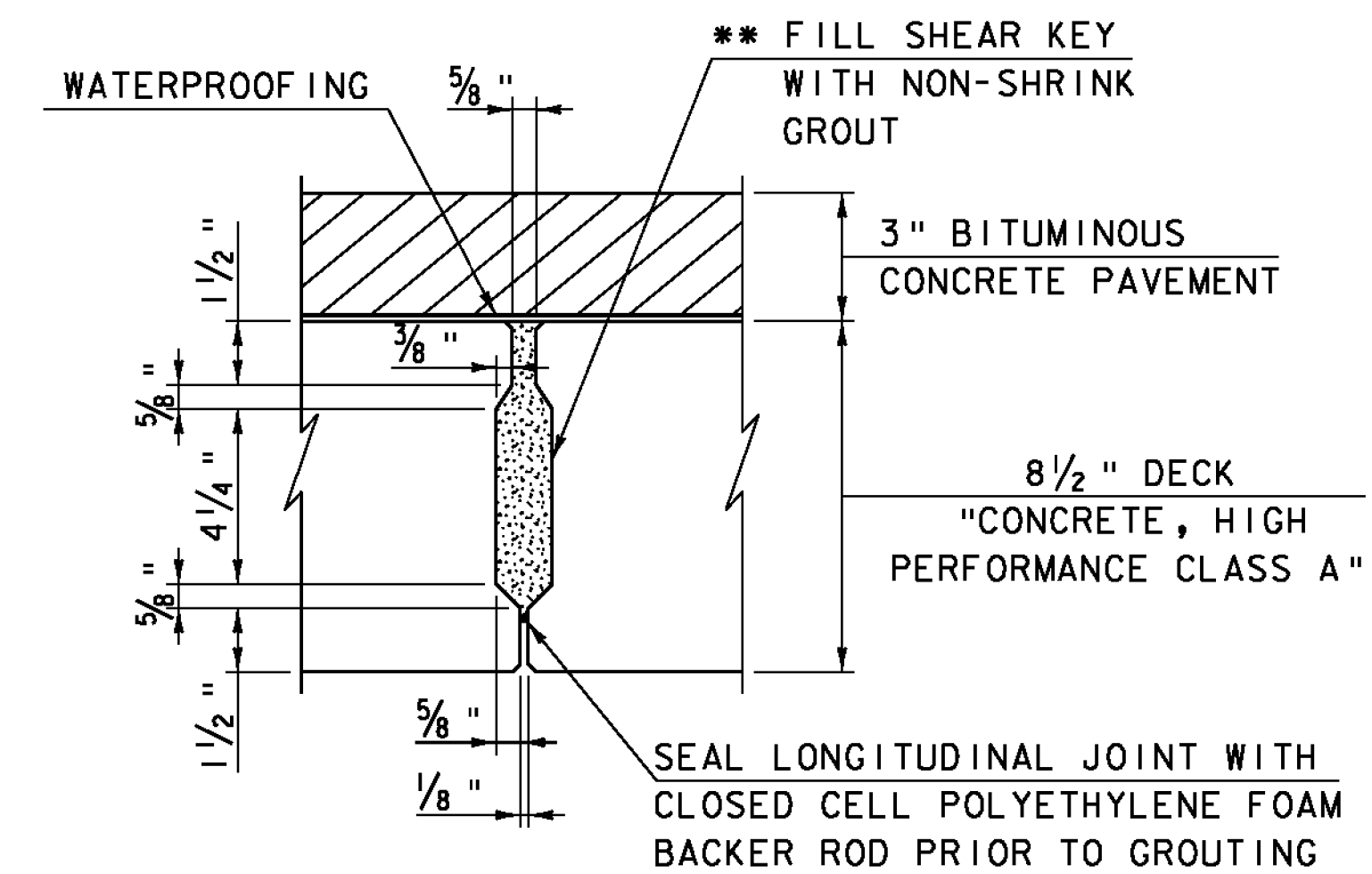


DECK STRUCTURAL PLAN

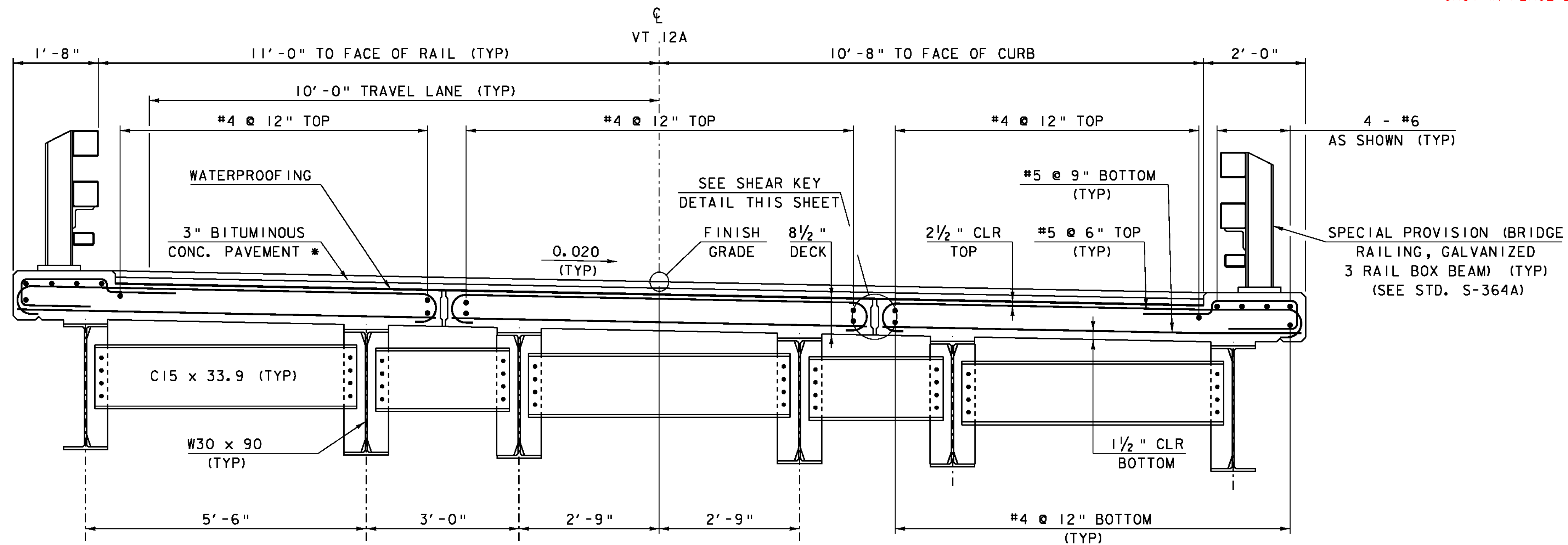


** NON-SHRINK GROUT AND BACKER ROD SHALL BE CONSIDERED INCIDENTAL TO PAY ITEM 900.675 "SPECIAL PROVISION (PRECAST CONCRETE/STEEL COMPOSITE SUPERSTRUCTURE)".

SHEAR KEY
NTS

- NOTE
1. THE SLABS SHALL BE PLACED AT THE NOMINAL SPACING SHOWN ON THE PLANS WITH A 1/4" WIDE GAP BETWEEN THE SLABS. THE WIDTH OF THE GAP CAN VARY DUE TO TOLERANCES OF THE SLABS.
 2. GROUT FOR THE SHEAR KEYS SHALL BE RODDED OR VIBRATED TO ENSURE THAT ALL VOIDS IN THE SHEAR KEYS ARE FILLED.

• CAST IN PLACE DECK



TYPICAL BRIDGE SECTION

NOTE:

- NF = NEAR FACE
- FF = FAR FACE
- EF = EACH FACE
- ▲ = CUT TO FIT IN FIELD
- 3" CLEAR, UNLESS OTHERWISE SPECIFIED ON THE PLANS.
- 2'-2" BAR LAP UNLESS OTHERWISE SPECIFIED ON THE PLANS.
- ALL REBAR IN PRECAST SUPERSTRUCTURE SHALL BE EPOXY COATED

* 1 1/2" TYPE IIIS OVER
1 1/2" TYPE IIIS

PROJECT NAME: ROXBURY	PLOT DATE: 21-SEP-2011
PROJECT NUMBER: BHF 0187(8)	DRAWN BY: D.D.BEARD
FILE NAME: sl0c420sup.dgn	CHECKED BY: E.Charbonneau
PROJECT LEADER: C.P.WILLIAMS	SHEET 19 OF 54
DESIGNED BY: R.S.YOUNG	
DECK STRUCTURAL DETAILS	