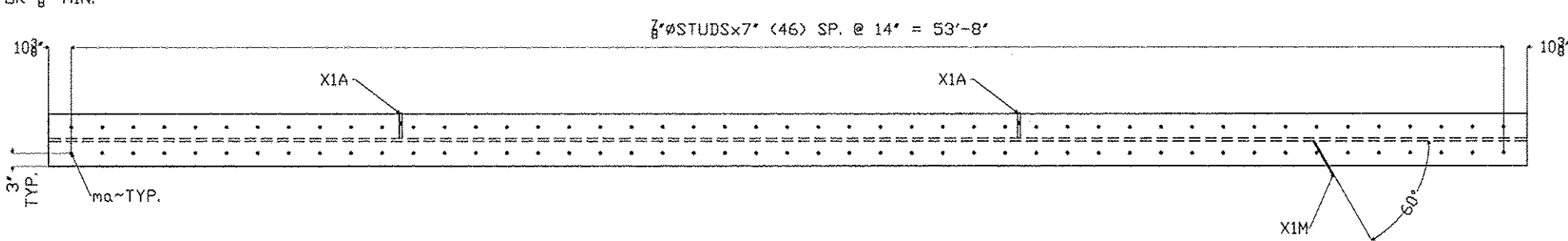
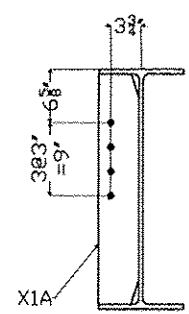


TYP. DIAPHRAGM STIFFENER
WELD DETAIL

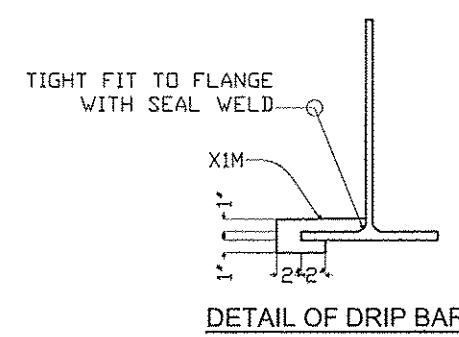
* NO WELD FOR 3/8\"/>



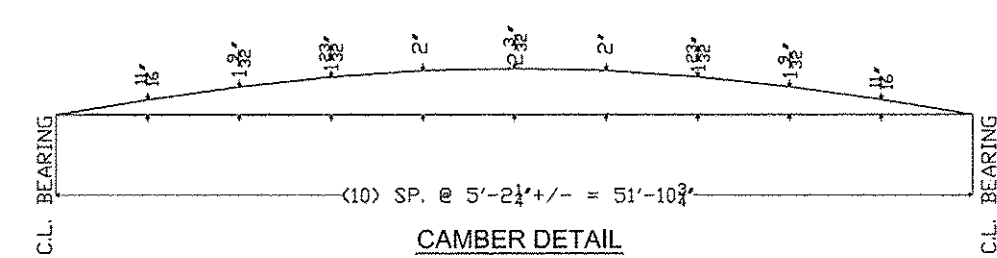
ONE ~ GIRDER DETAIL ~ 6B1



SECTION A-A



DETAIL OF DRIP BAR



CAMBER DETAIL

SHIPPER		BILL OF MATERIAL						
NO.	MARK	NO.	MARK	SIZE	LENGTH	FORMS	ITEM	WEIGHT
1	6B1			W30x90	55'-5"	CVN		
		2	X1A	PL 1/2x3	2'-48"	CVN		
		1	X1M	PL 1/2x2	0'-72"	CVN		
		94	na	3/8\"/>				

RECEIVED
 CK'D BY _____ OK'D BY RESY
 OCT 17 2011
 RESUBMIT _____ APPROVED _____
 BY _____ DATE 10/18/2011

REVISION

GIRDER DETAIL

TOWN OF ROXBURY, WASHINGTON COUNTY, VT
 PROJECT NUMBER: BHP 0187(8)
 VT 12A MAJOR COLLECTOR - BRIDGE 15

PRECISE STRUCTURAL PRODUCTS
 3 PARK LANE
 GEORGETOWN, MA 01833
 (978) 351-3991

OWNER: VT AGENCY OF TRANSPORTATION
 CONTRACTOR: LUCK BROTHERS INC

DATE: 10/18/2011

NO. 3500 SHEET NO. 6

SHOP NOTES
 HOLES: 15/16\"/>