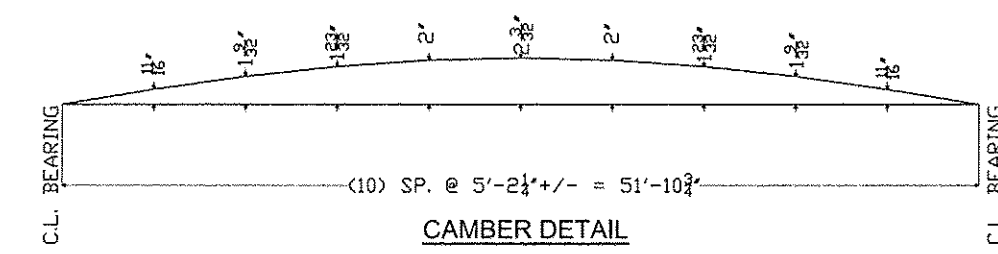


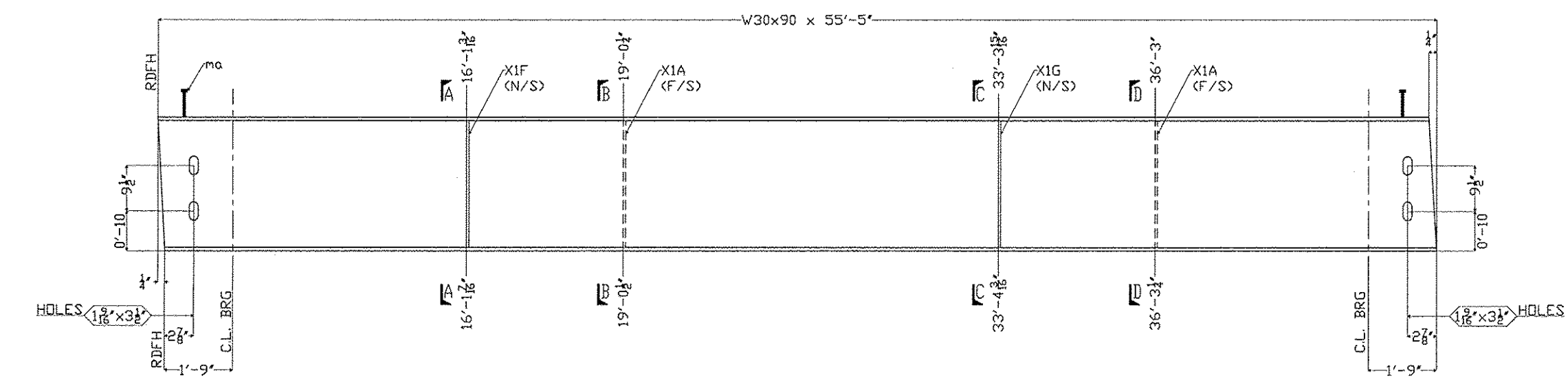
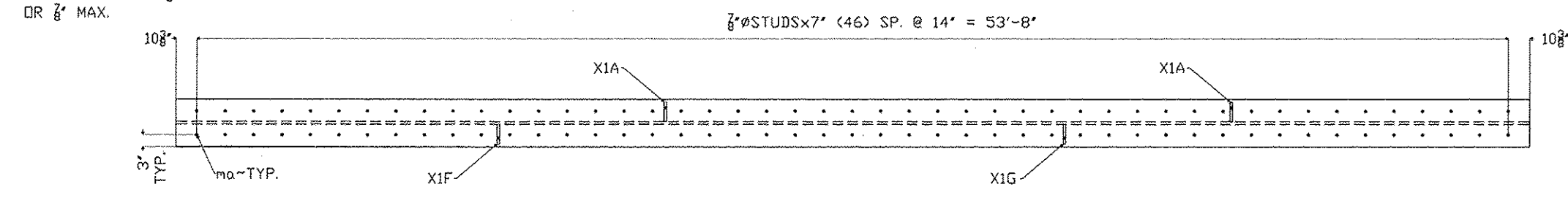
TYP. DIAPHRAGM STIFFENER
WELD DETAIL

x NO WELD FOR 1/2" MIN.
OR 3/4" MAX.

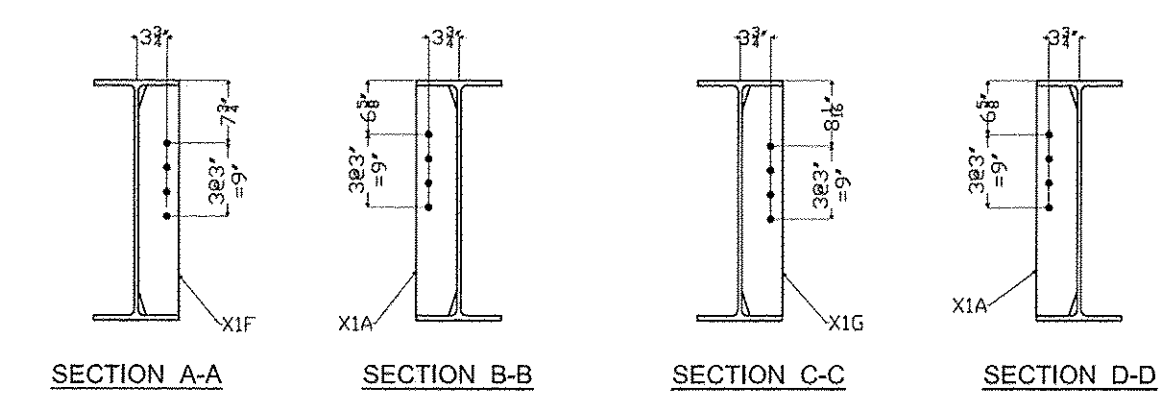


CAMBER DETAIL

SHIPPER		BILL OF MATERIAL				
NO.	MARK	SIZE	LENGTH	REMARKS	ITEM	WEIGHT
1	5B1					
2	X1A	PL 1/2 x 5	2'-4 1/2"	CVN		
1	X1F	PL 1/2 x 5	2'-4 1/2"	CVN		
1	X1G	PL 1/2 x 5	2'-4 1/2"	CVN		
94	no	3/8" STUD	0'-7"			



ONE - GIRDER DETAIL - 5B1



RECEIVED
OK'D BY _____ OK'D BY RSY
OCT 17 2011
RESUBMIT _____ APPROVED
BY _____ DATE 10/18/2011

SHOP NOTES
HOLES: 15/16" DIA
BOLTS: PER GRI
PAINT: NO PAINT
WELDS: N/A
MATERIAL: A572 GR 50

PRECISE STRUCTURAL PRODUCTS	
3 FARM LANE GEORGETOWN, MA 01833 TEL: 978-852-2591	
OWNER: VT AGENCY OF TRANSPORTATION CONTRACTOR: LUCK BROTHERS INC	
DATE: 10/11/11	SCALE: AS SHOWN
NO: 10/11/11	SHEET NO: 3500
	5