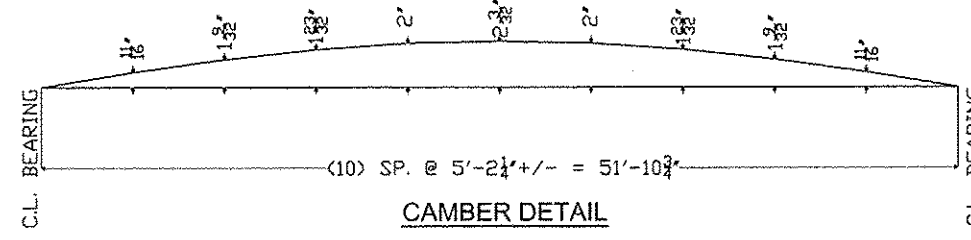


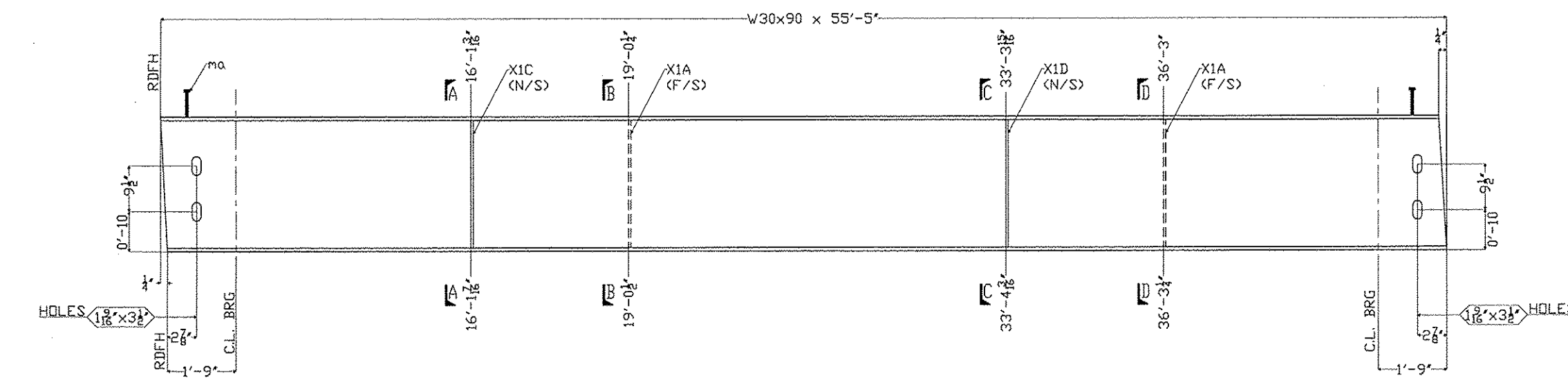
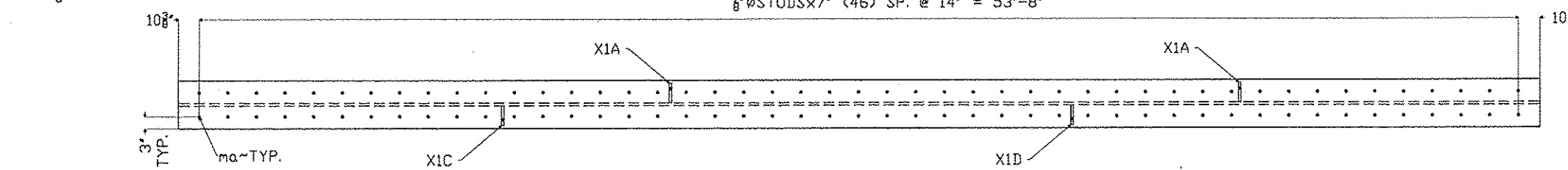
TYP. DIAPHRAGM STIFFENER  
WELD DETAIL

\* NO WELD FOR 1/4\"/>



CAMBER DETAIL

SHIPPER		BILL OF MATERIAL						
NO.	MARK	NO.	MARK	SIZE	LENGTH	REMARKS	ITEM	WEIGHT
1	2B1			W30x90	55'-5"	CVN		
		2	X1A	PL 1/2x5	2'-4 1/2"	CVN		
		1	X1C	PL 1/2x5	2'-4 1/2"	CVN		
		1	X1D	PL 1/2x5	2'-4 1/2"	CVN		
		94	no	5/8\"/>				



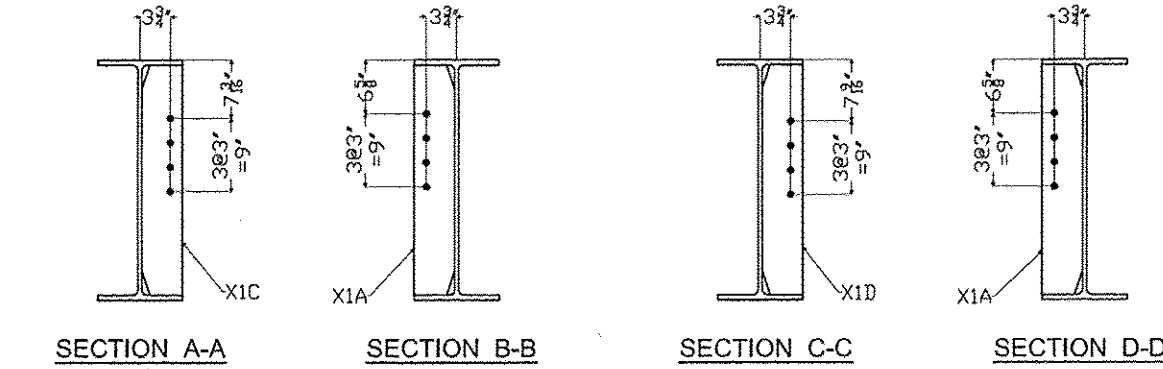
ONE ~ GIRDER DETAIL ~ 2B1

RECEIVED  
 OK'D BY \_\_\_\_\_ OK'D BY RESY  
 OCT 17 2011  
 RESUBMIT \_\_\_\_\_ APPROVED ✓  
 BY \_\_\_\_\_ DATE 10/19/2011

NO.	DATE	REVISION

GIRDER DETAIL  
 TOWN OF ROXBURY, WASHINGTON COUNTY, VT  
 PROJECT NUMBER: BHP 0187(8)  
 VT 12A, MAJOR COLLECTOR - BRIDGE 15

PRECISE STRUCTURAL PRODUCTS  
 3 FARM LANE  
 GEORGETOWN, MA 01833  
 (508) 366-2901  
 OWNER: VT AGENCY OF TRANSPORTATION  
 CONTRACTOR: LUCK BROTHERS INC  
 DRAWN BY: TRENDS/BJT REV: 1/20/11 DATE: 10/19/11 CONTRACT NO: 3590 SHEET NO: 2



SHOP NOTES  
 HOLES: 13/16\"/>