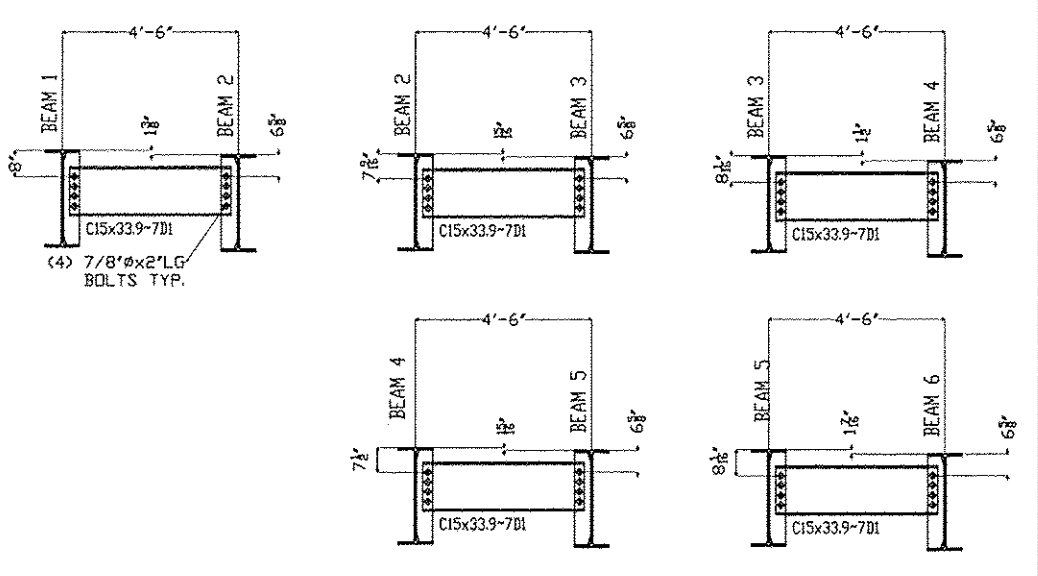
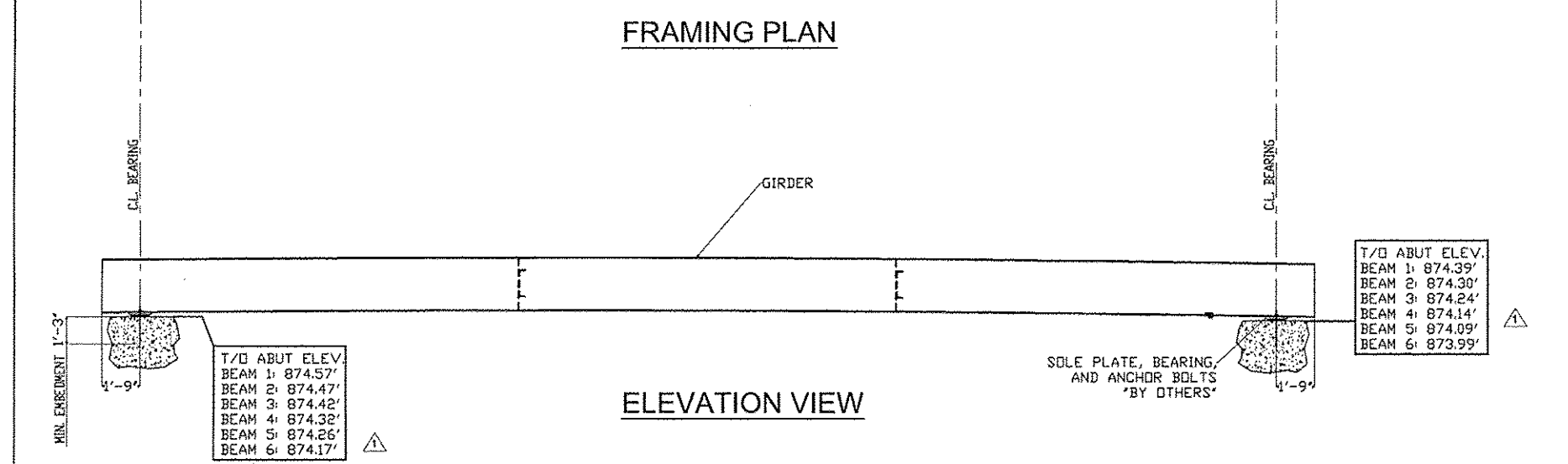


FRAMING PLAN

FIELD BOLT SUMMARY				NOTE: 4% ADDITIONAL BOLTS ADDED + 3 FOR TESTING	
LINE NO.	QTY	TYPE	BOLT LENGTH	ACTUAL COUNT	REMARKS
1	87	A325 TYPE 3	2"	80	+ 7 FLAT WASHER
2	1				
3	1				
4	1				

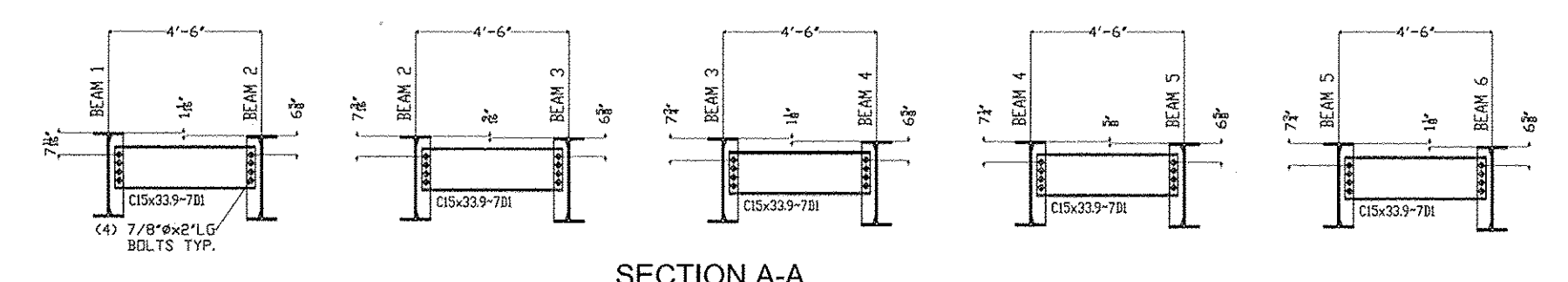


SECTION B-B



ELEVATION VIEW

RECEIVED  
 OK'D BY: RCY  
 OCT 17 2011  
 RESUBMIT:  APPROVED:   
 BY: \_\_\_\_\_ DATE: 10/18/2011



SECTION A-A

SHOP NOTES  
 HOLES: 15/16" UNF  
 BOLTS: PER GIN  
 PAINT: HD PAINT  
 WELDS: N/A  
 MATERIAL: A36 / 50 / 60 / 70 / 80 / 90 / 100 / 110 / 120 / 130 / 140 / 150 / 160 / 170 / 180 / 190 / 200 / 210 / 220 / 230 / 240 / 250 / 260 / 270 / 280 / 290 / 300 / 310 / 320 / 330 / 340 / 350 / 360 / 370 / 380 / 390 / 400 / 410 / 420 / 430 / 440 / 450 / 460 / 470 / 480 / 490 / 500 / 510 / 520 / 530 / 540 / 550 / 560 / 570 / 580 / 590 / 600 / 610 / 620 / 630 / 640 / 650 / 660 / 670 / 680 / 690 / 700 / 710 / 720 / 730 / 740 / 750 / 760 / 770 / 780 / 790 / 800 / 810 / 820 / 830 / 840 / 850 / 860 / 870 / 880 / 890 / 900 / 910 / 920 / 930 / 940 / 950 / 960 / 970 / 980 / 990 / 1000

PRECISE STRUCTURAL PRODUCTS  
 3 FARM LANE  
 GEORGETOWN, MA 01833  
 (978) 852-2991  
 OWNER: VT AGENCY OF TRANSPORTATION  
 CONTRACTOR: LOCK BROTHERS INC.  
 DRAWN BY: \_\_\_\_\_ CHECKED BY: \_\_\_\_\_ DATE: 10/18/2011  
 SCALE: 3/8" = 1'-0" SHEET NO. E1