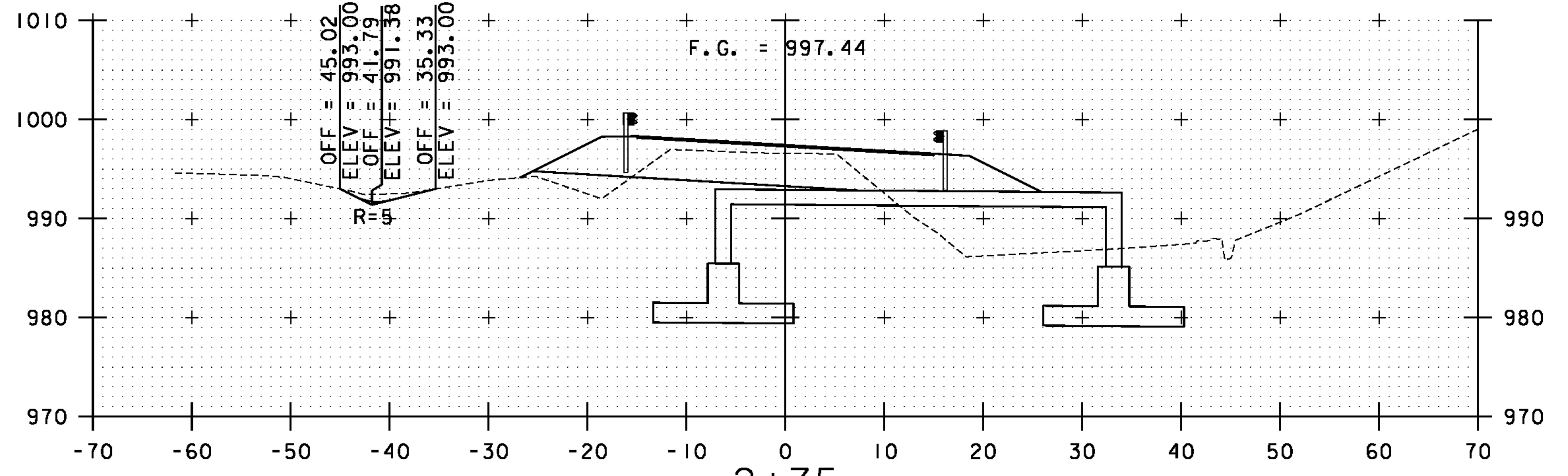
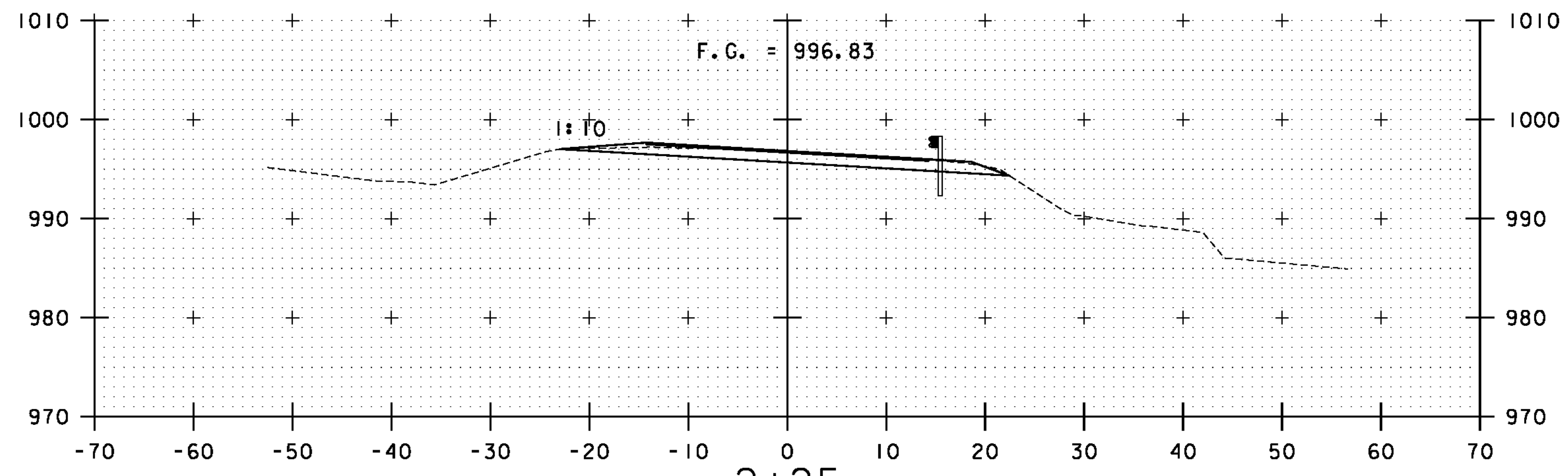


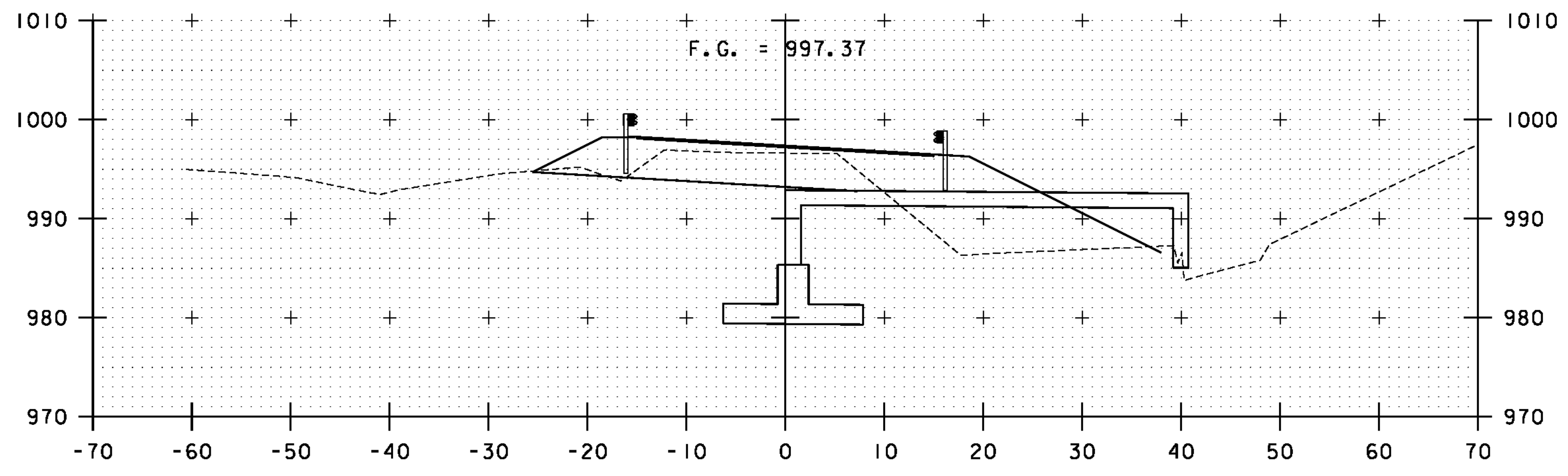
2+40
END APPROACH
BEGIN PROJECT



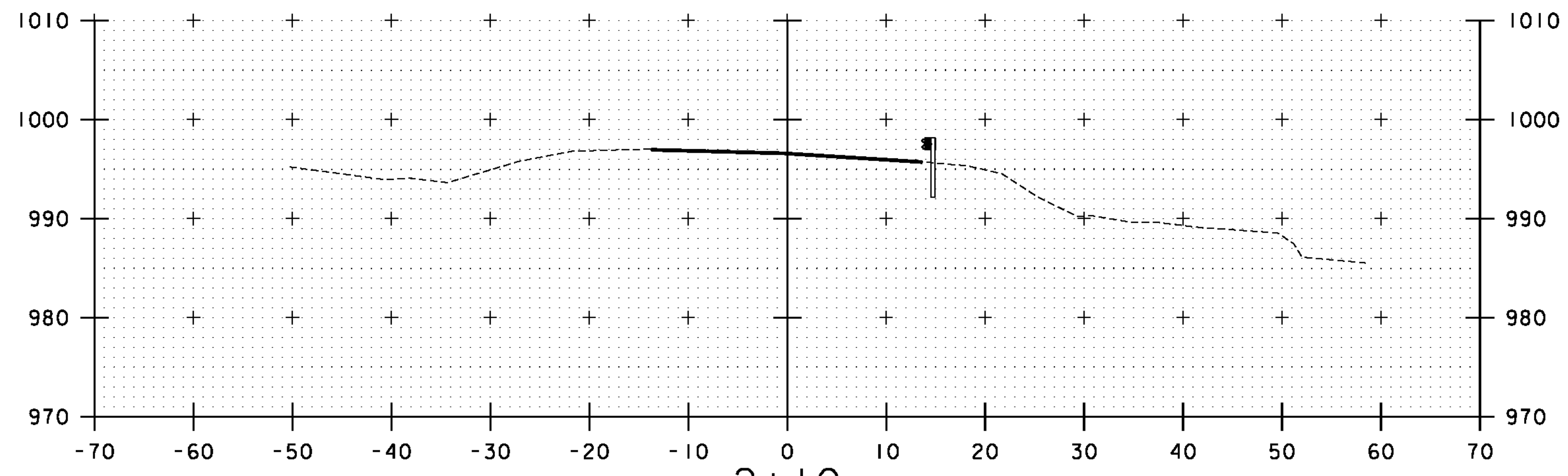
2+75



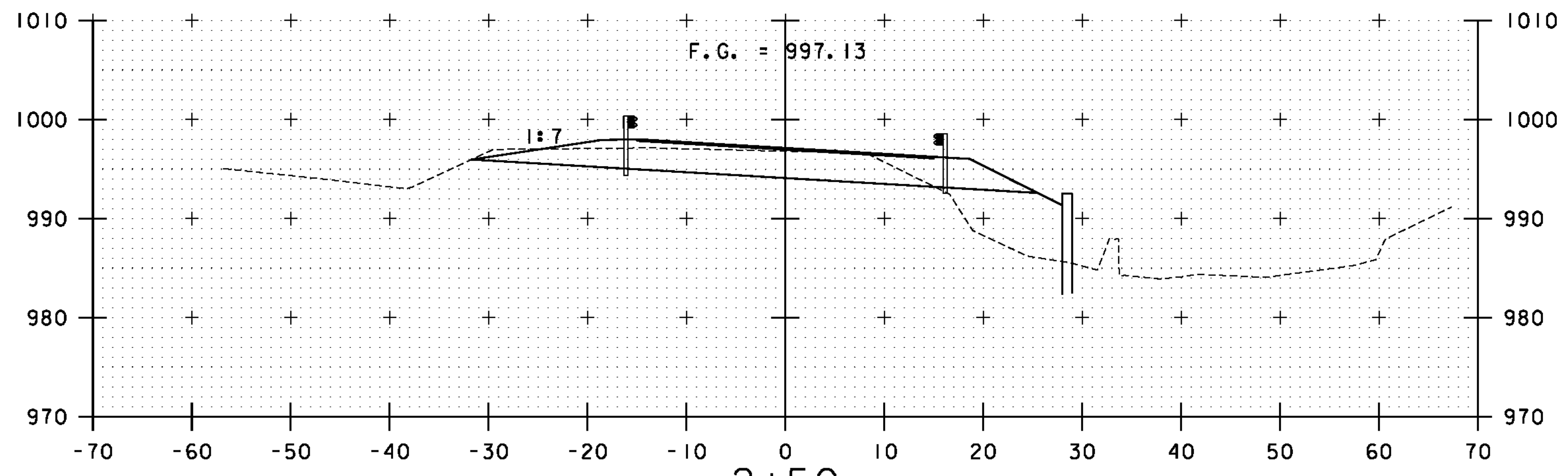
2+25
END COLD PLANE



2+69.20



2+10
BEGIN APPROACH
MATCH EXISTING



2+50

PROJECT NAME:	ROXBURY
PROJECT NUMBER:	ER 0187(9)
FILE NAME: ...	plotfiles\Cross Sections.dgn
PROJECT LEADER:	G. BOGUE
DESIGNED BY:	M. CHENETTE
VT 12A CROSS SECTIONS 1	
DATE:	9/21/2011
DRAWN BY:	JTS/ISM
CHECKED BY:	G. BOGUE
SHEET	51 OF 54

