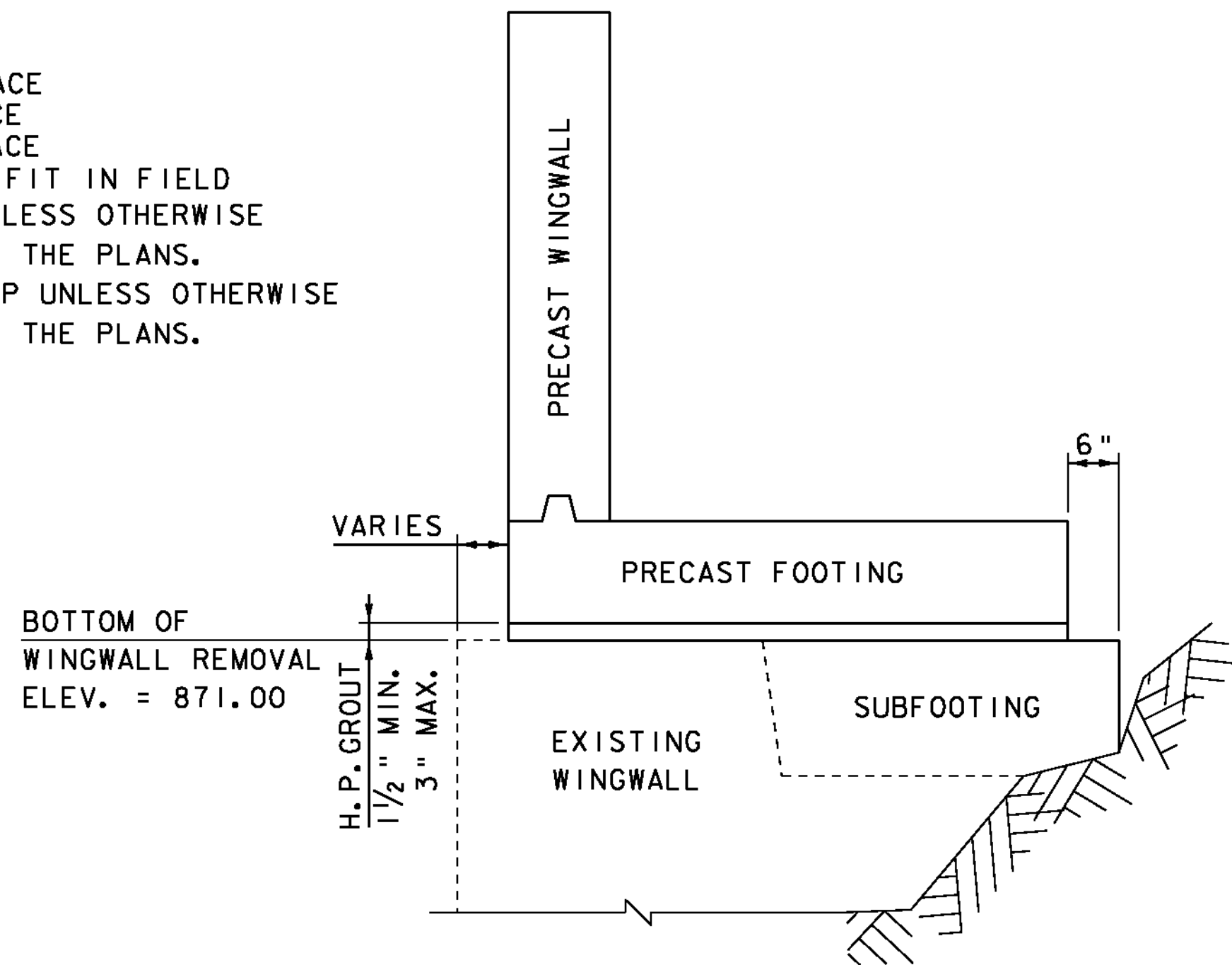
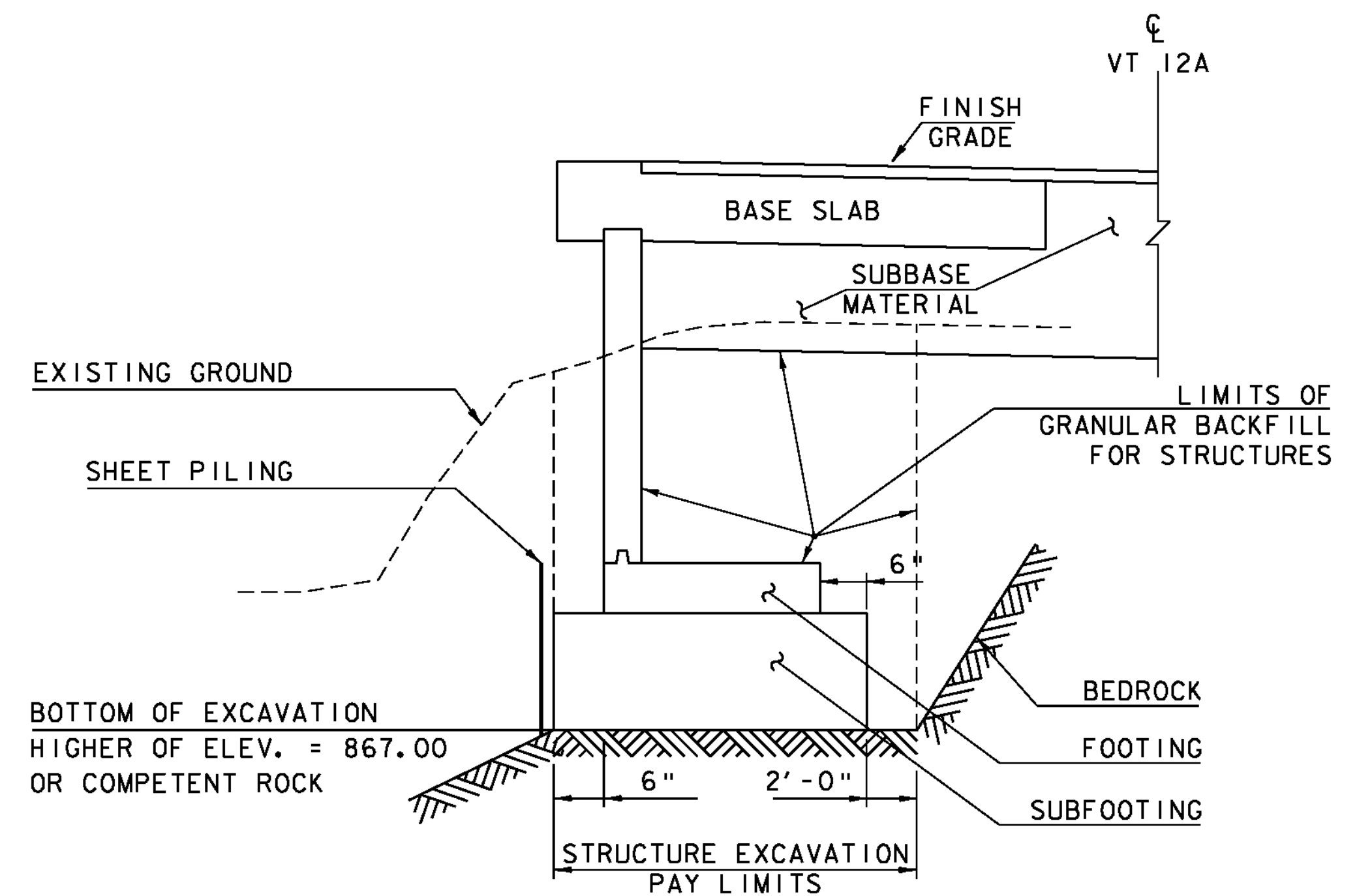


**NOTE:**  
 NF = NEAR FACE  
 FF = FAR FACE  
 EF = EACH FACE  
 ▲ = CUT TO FIT IN FIELD  
 3" CLEAR, UNLESS OTHERWISE SPECIFIED ON THE PLANS.  
 2'-2" BAR LAP UNLESS OTHERWISE SPECIFIED ON THE PLANS.

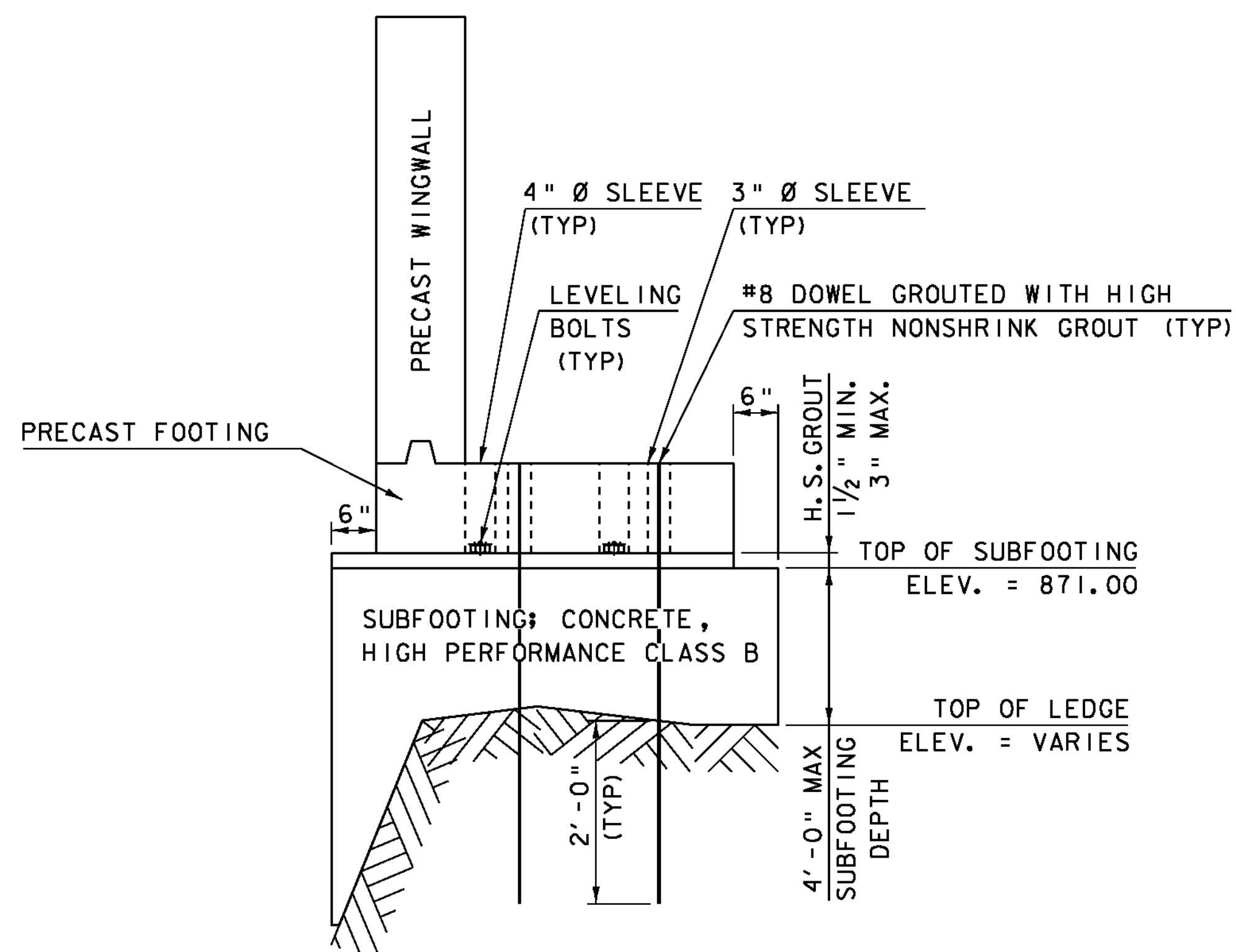
**WINGWALL #3 TYPICAL REBAR**



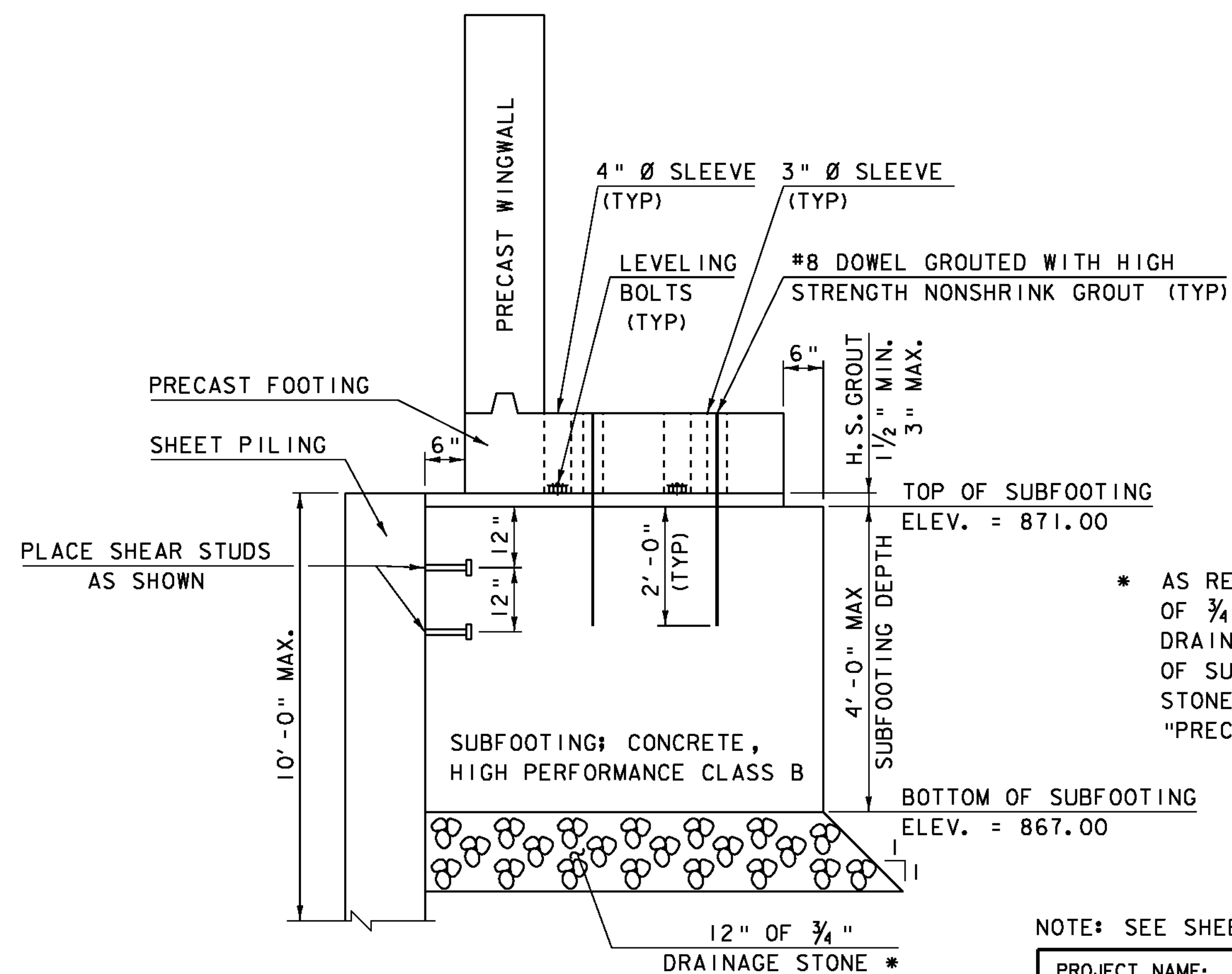
**WINGWALL #3 TYPICAL SECTION OVER EXISTING WINGWALL**



**WINGWALL #3 EXCAVATION SECTION**



**WINGWALL #3 TYPICAL SECTION PLACED OVER BEDROCK**



**WINGWALL #3 TYPICAL SECTION OVER NEW SUBFOOTING**

\* AS REQUIRED BY THE ENGINEER, PLACE 12" OF 3/4" DRAINAGE STONE UNDER THE SUBFOOTING. DRAINAGE STONE SHALL MEET THE REQUIREMENTS OF SUBSECTION 704.16. PAYMENT FOR DRAINAGE STONE SHALL BE INCLUDED UNDER ITEM 540.10 "PRECAST CONCRETE STRUCTURE (WINGWALL NO. 3)".

NOTE: SEE SHEET 26 FOR TOP OF WINGWALL ELEVATIONS.

PROJECT NAME:	ROXBURY	PLOT DATE:	21-SEP-2011
PROJECT NUMBER:	BHF 0187(8)	DRAWN BY:	D.D.BEARD
FILE NAME:	sl0c420sup.dgn	DESIGNED BY:	R.S.YOUNG
PROJECT LEADER:	C.P.WILLIAMS	CHECKED BY:	E.R.Charbonneau
WINGWALL #3 SECTIONS		SHEET 25 OF 54	