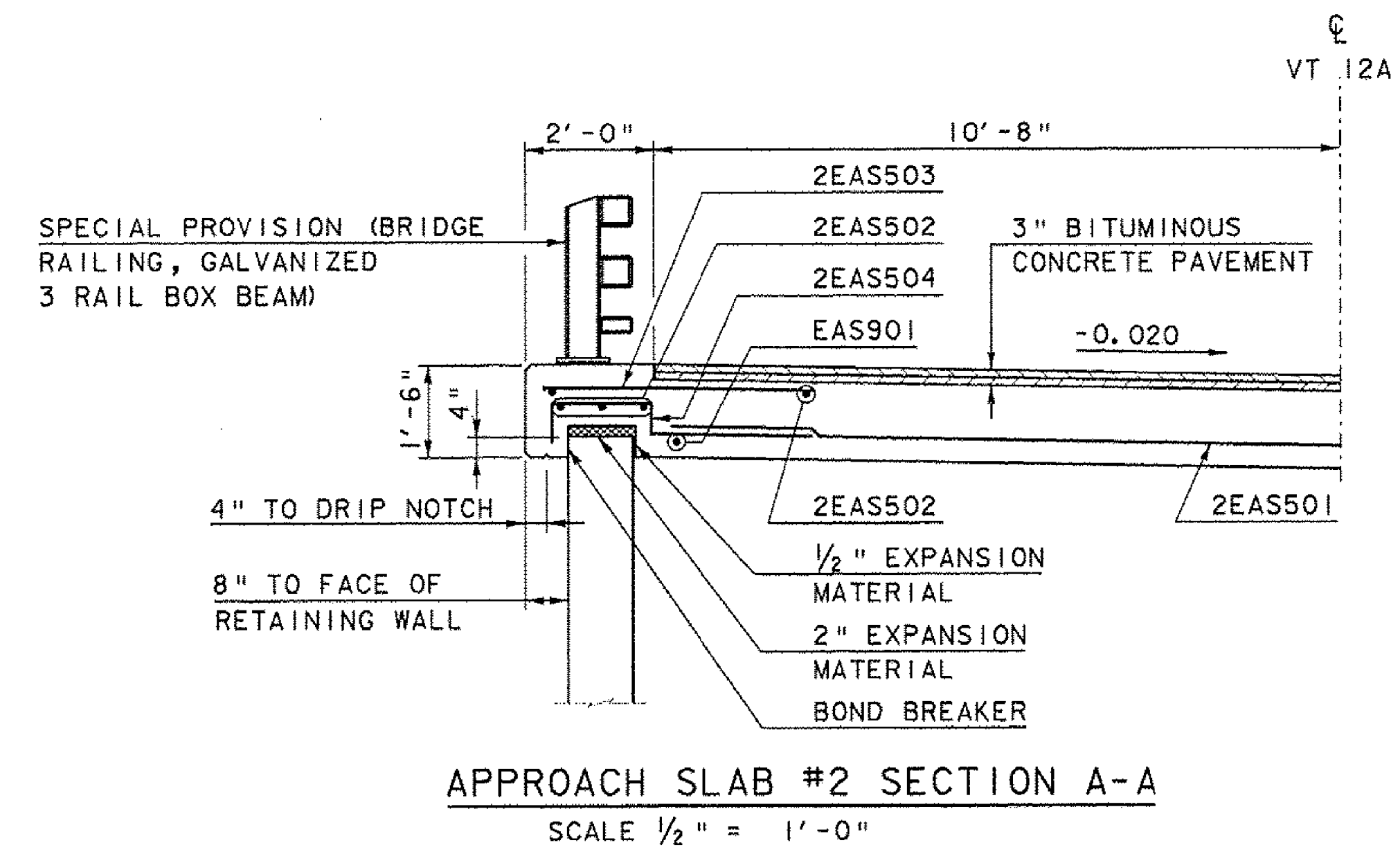
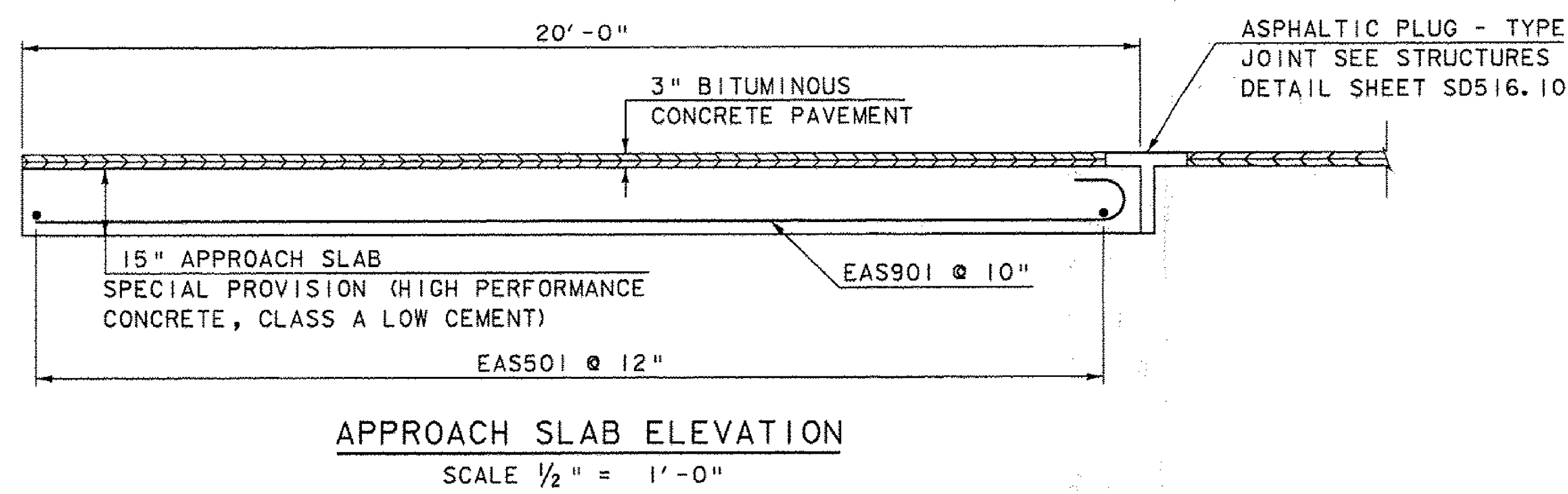


NOTE:

- NF = NEAR FACE
- FF = FAR FACE
- EF = EACH FACE
- ▲ = CUT TO FIT IN FIELD
- 3" CLEAR, UNLESS OTHERWISE SPECIFIED ON THE PLANS.
- 3'-0" BAR LAP UNLESS OTHERWISE SPECIFIED ON THE PLANS.
- E - EPOXY



PROJECT NAME: ROXBURY
 PROJECT NUMBER: BHF 0187(8)

FILE NAME: s10c420slab.dgn
 PROJECT LEADER: C. WILLIAMS
 DESIGNED BY: R. YOUNG
 APPROACH SLAB DETAILS

PLOT DATE: 07-NOV-2011
 DRAWN BY: J. SALVATORI
 CHECKED BY: E. CHARBONNEAU
 SHEET 17 OF 38 54

REVISION	DATE	DESCRIPTION	BY
△	11-7-2011	DIMENSION APPROACH SLAB WIDTH	MCL