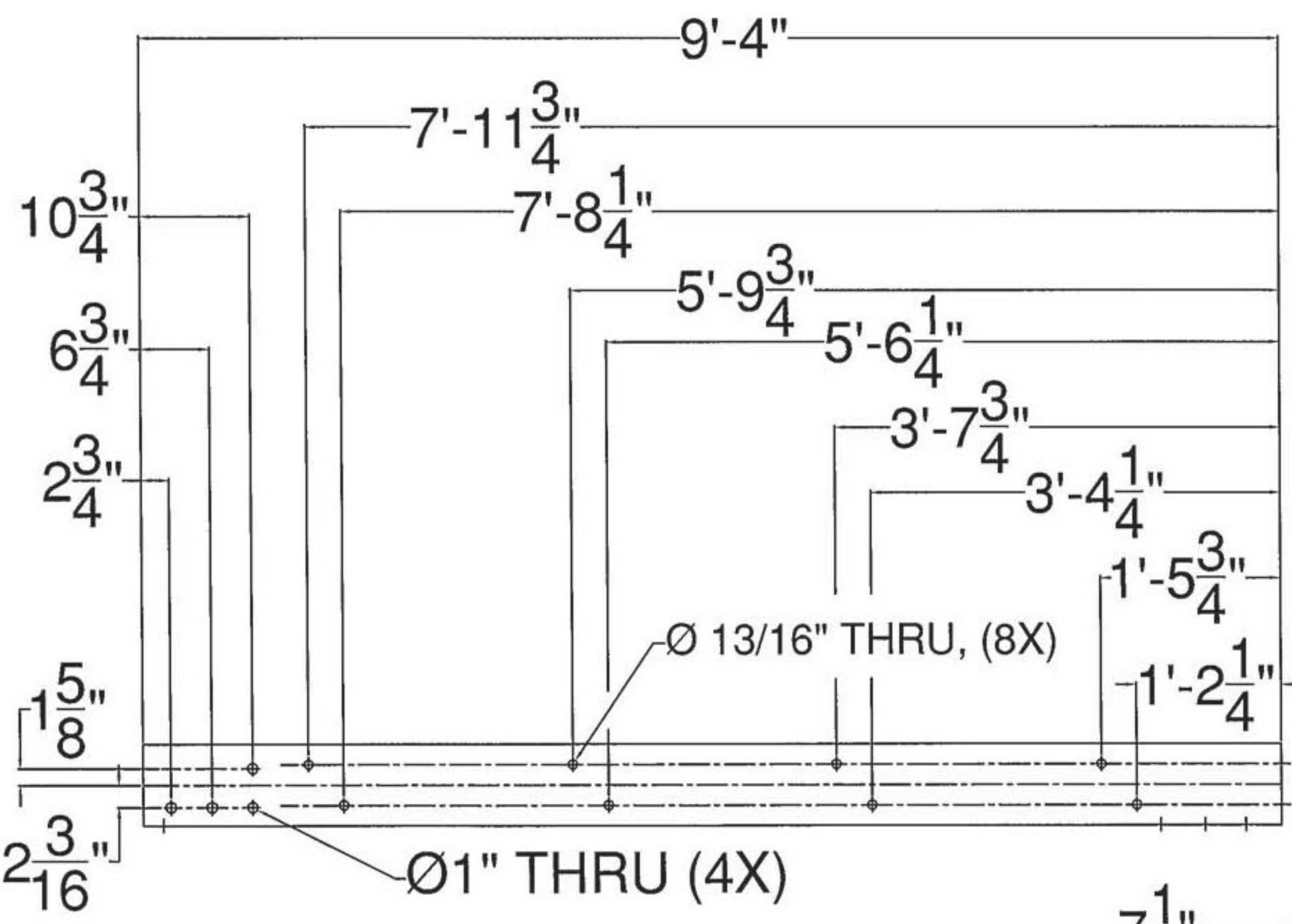


WW 1, 2, & 4 - STRAIGHT, WW 3 - SHOP CURVE 34'-6" CONVEX RAD.



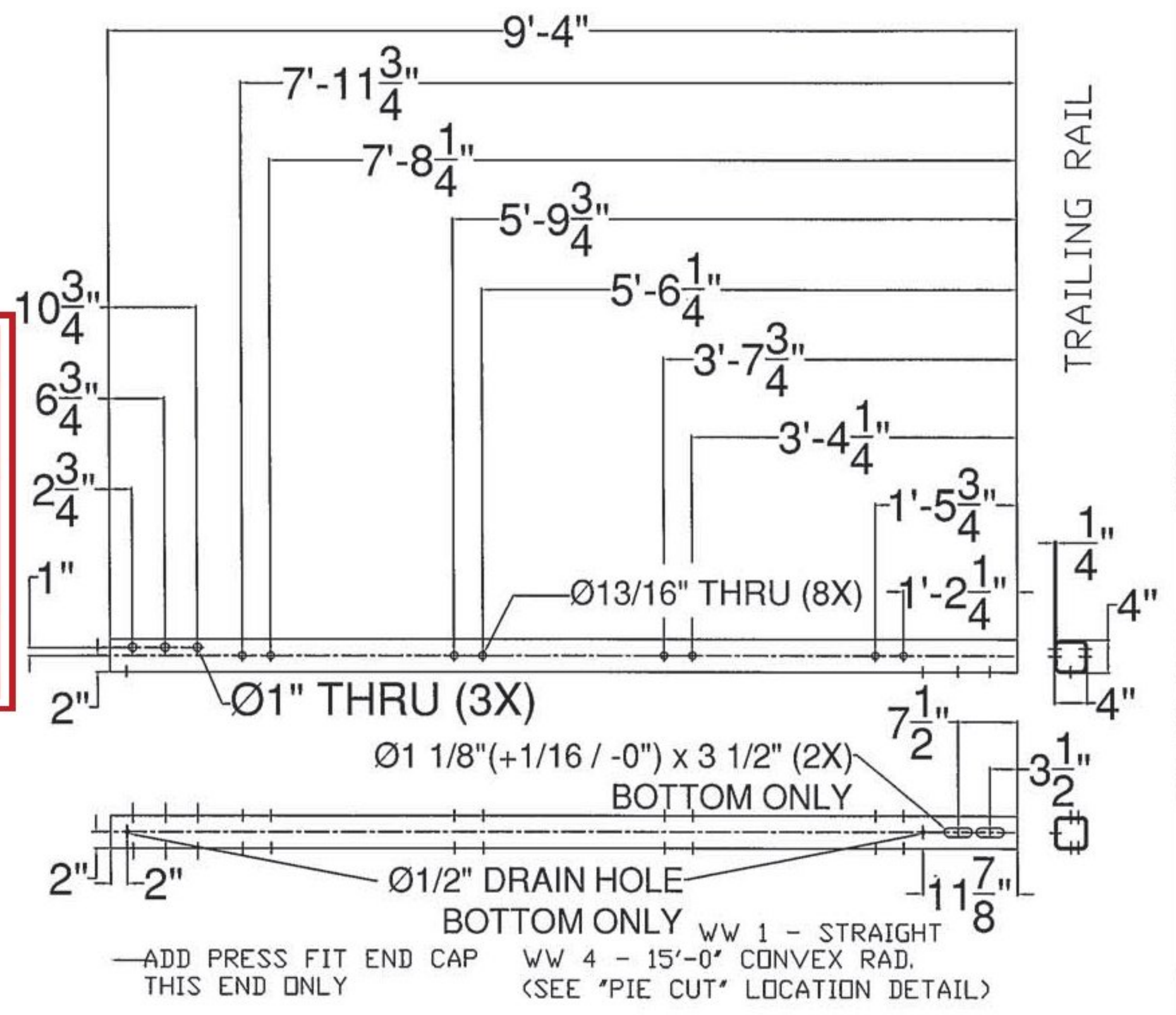
TRAILING RAIL

SHOP DRAWING REVIEW

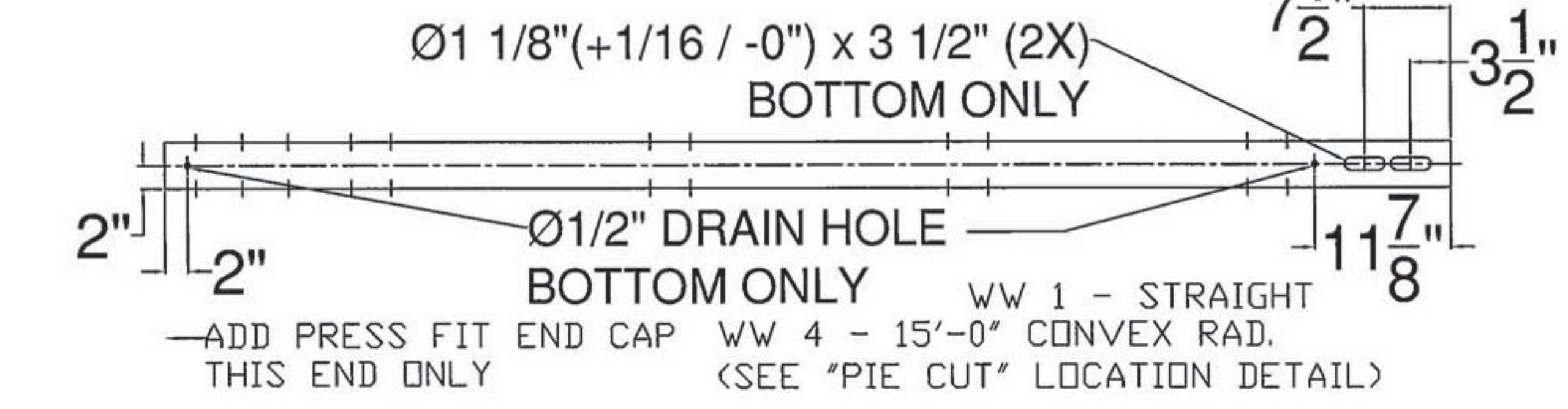
REVIEWED AS REQUIRED BY THE CONSTRUCTION CONTRACT DOCUMENTS AND APPROVED, BUT ONLY FOR CONFORMANCE TO THE DESIGN CONCEPT OF THE WORK, AND SUBJECT TO FURTHER LIMITATIONS AND REQUIREMENTS CONTAINED IN THE CONSTRUCTION CONTRACT DOCUMENTS.  
 REJECTED     REVISE AND RESUBMIT     FURNISH AS CORRECTED

CORRECTIONS OR COMMENTS MADE ON THE SHOP DRAWINGS DURING THIS REVIEW DO NOT RELIEVE CONTRACTOR FROM COMPLIANCE WITH REQUIREMENTS OF THE DRAWINGS AND SPECIFICATIONS. THIS CHECK IS ONLY FOR REVIEW OF GENERAL CONFORMANCE WITH THE DESIGN CONCEPT OF THE PROJECT AND GENERAL COMPLIANCE WITH THE INFORMATION GIVEN IN THE CONTRACT DOCUMENTS. THE CONTRACTOR IS RESPONSIBLE FOR: CONFIRMING AND CORRELATING ALL QUANTITIES AND DIMENSIONS; SELECTING FABRICATION PROCESSES AND TECHNIQUES OF CONSTRUCTION; COORDINATING HIS WORK WITH THAT OF ALL OTHER TRADES; AND PERFORMING HIS WORK IN A SAFE AND SATISFACTORY MANNER.

**VHB**    Job Number: 57917  
 Reviewed By: B. Masse  
 Date: 6-11-14



TRAILING RAIL



ITEM #: 621.72 SHEET 2 OF 4

APPROVED BY: \_\_\_\_\_

**2 RAIL BRIDGE RAIL TO GUARDRAIL TRANSITION**  
 ROCHESTER, BR# 0162 (18) VT RTE 73 (MAJOR COLLECTOR), BRIDGE NO: 19, OVER WHITE RIVER  
 TOWN OF ROCHESTER, COUNTY OF WINDSOR, VT

R NO.	DATE	DESCRIPTION	BY	R NO.	DATE	DESCRIPTION	BY
E 1	6/6/14	REVISED PER 5/30/14 MARK-UP	E.P.	E			
V 2	6/10/14	REVISED PER 6/9/14 MARK-UP	E.P.	V			

**ELDERLEE, INC.**  
 OAKS CORNERS, NEW YORK 14618  
 E-Mail: [dlong@elderlee.com](mailto:dlong@elderlee.com)  
 Tel: 315-789-6670 Fax: 315-789-6615

CERTIFIED FABRICATOR

DRAWN E.P. 5/16/14  
 CHECKED D.L. 5/16/14  
 APPROVED  
 SCALE SCHEMATIC  
 DRAWING NO. F.R.L. ROCHESTER, TR19