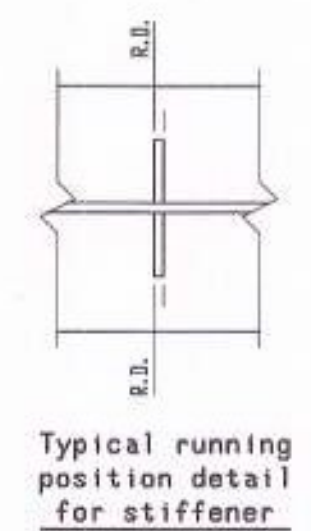
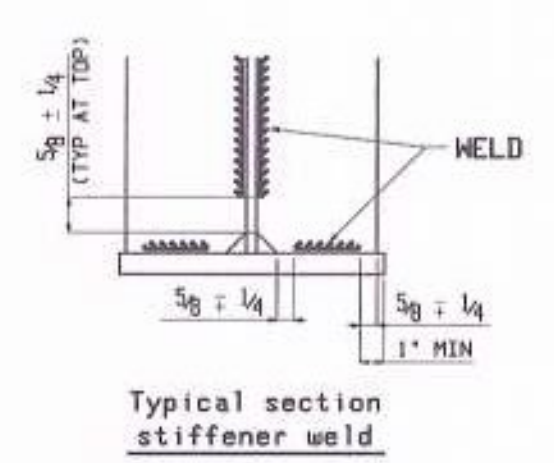
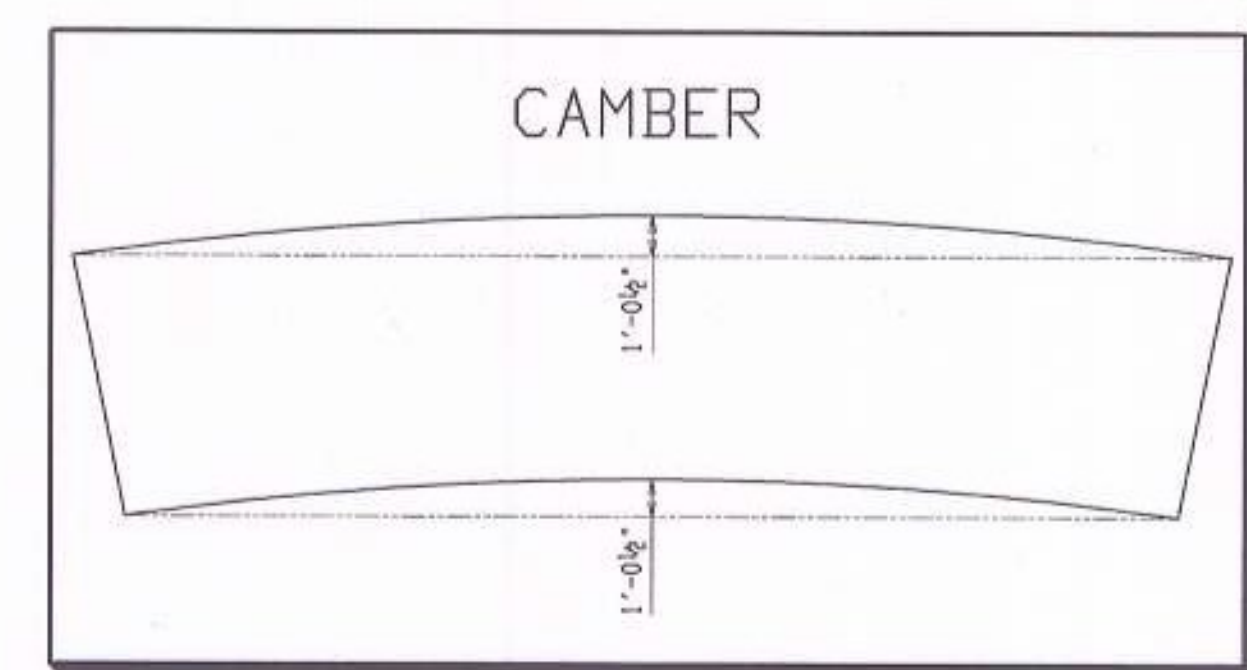
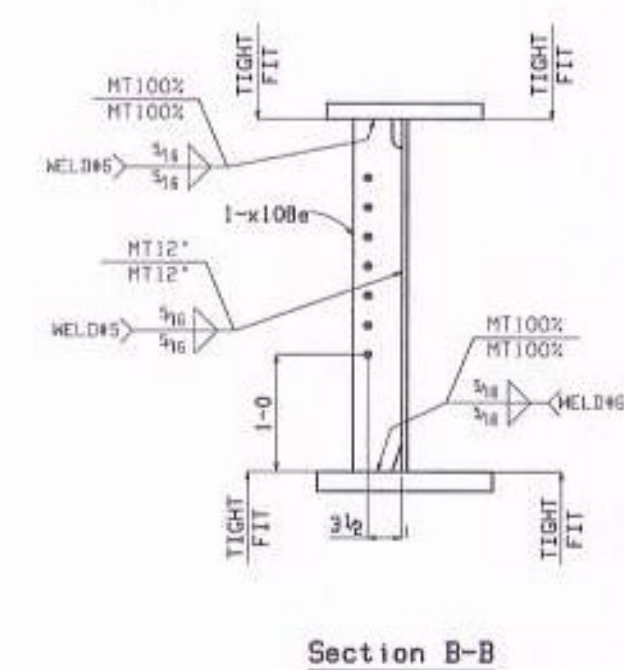
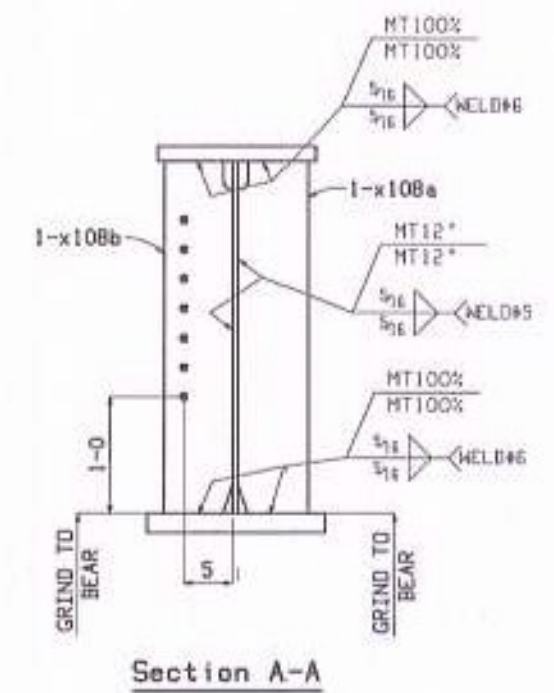
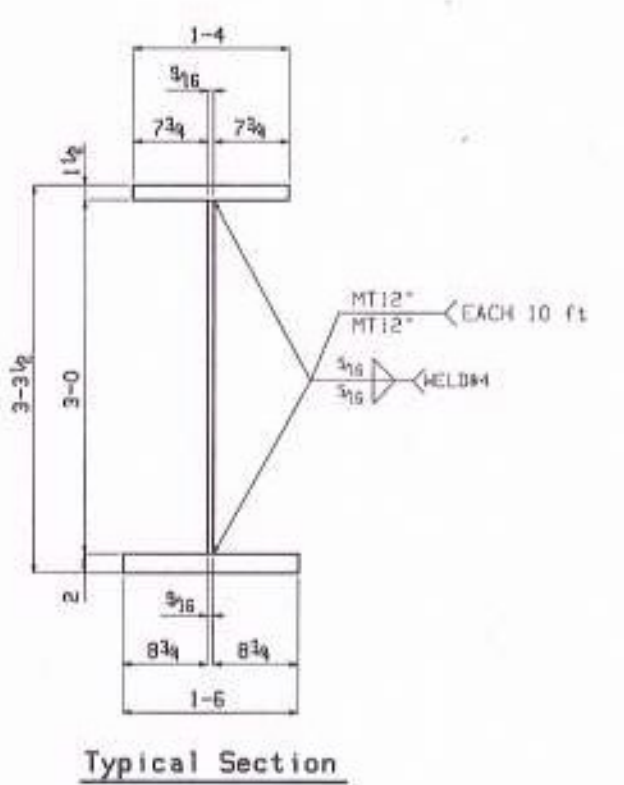
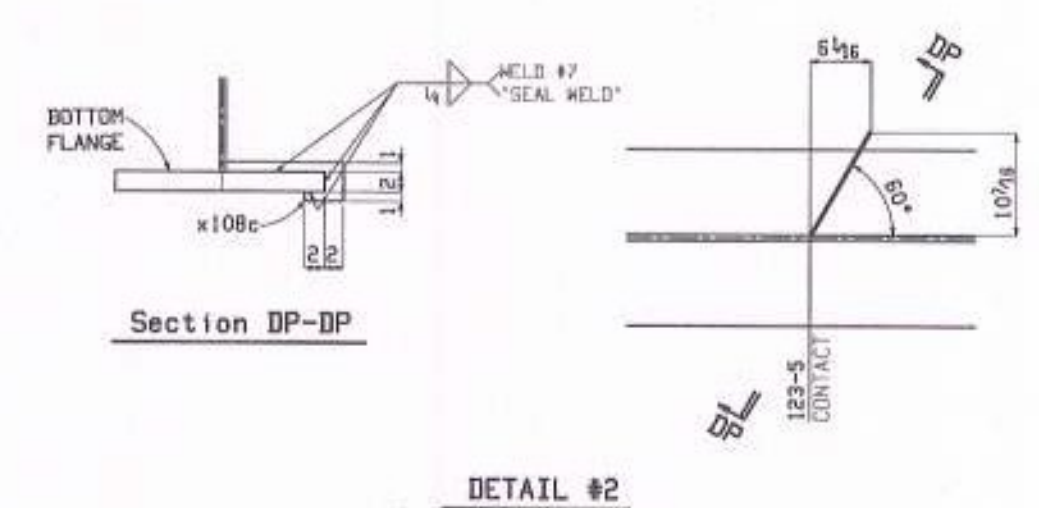


ONE GIRDER G105



SHOP DRAWING REVIEW

REVIEWED AS REQUIRED BY THE CONSTRUCTION CONTRACT DOCUMENTS AND APPROVED, BUT ONLY FOR CONFORMANCE TO THE DESIGN CONCEPT OF THE WORK, AND SUBJECT TO FURTHER LIMITATIONS AND REQUIREMENTS CONTAINED IN THE CONSTRUCTION CONTRACT DOCUMENTS.

REJECTED REVISE AND RESUBMIT FINISH AS CORRECTED

CORRECTIONS OR COMMENTS MADE ON THE SHOP DRAWINGS DURING THIS REVIEW DO NOT RELIEVE CONTRACTOR FROM COMPLIANCE WITH REQUIREMENTS OF THE DRAWINGS AND SPECIFICATIONS. THIS CHECK IS ONLY FOR REVIEW OF GENERAL CONFORMANCE WITH THE DESIGN CONCEPT OF THE PROJECT AND GENERAL COMPLIANCE WITH THE INFORMATION GIVEN IN THE CONTRACT DOCUMENTS. THE CONTRACTOR IS RESPONSIBLE FOR CONFIRMING AND CORRELATING ALL QUANTITIES AND DIMENSIONS, SELECTING FABRICATION PROCESSES AND TECHNIQUES OF CONSTRUCTION, COORDINATING HIS WORK WITH THAT OF ALL OTHER TRADES, AND PERFORMING HIS WORK IN A SAFE AND SATISFACTORY MANNER.

VHB
Vanzette Henken Brundin, Inc.

Job Number: 57517.00
Reviewed By: R. Moore
Date: 2-28-14

GENERAL NOTE: SEE GN101
HOLES: 1 5/16" (U.N.O.)
WELD PROCEDURE: SEE WELDING PROCEDURE ON S101

No.	DESCRIPTION	DATE	BY	CHK
B	FOR 2nd APPROVAL	Feb 25 2014	LN	CG
X	FOR APPROVAL	Feb 5 2014	LN	CG

NOTE: BOLT 1 WASHER: 1 WASHER UNDER NUT U.N.
BOLT 2 WASHERS: 1 WASHER UNDER HEAD U.N.
1 WASHER UNDER NUT U.N.

STRUCTAL
Building Better Bridges
386 River Road, Claremont, NH
T. 603.542.5200 F. 603.542.3317

PROJECT: VERMONT RTE 73
BRIDGE NO 19
TOWN OF ROCHESTER

TITLE: MAIN GIRDER G105

REFERENCE: PROJECT NUMBER: ER-BRF-0162 (1B)

DATE: SAG JANUARY 2014 Q00540
CG JANUARY 2014 105-03

PRINTED ON: 25 FEB 2014 AT 15:14:45 BY: msc21110