

SHOP DRAWING REVIEW

REVIEWED AS REQUIRED BY THE CONSTRUCTION CONTRACT DOCUMENTS AND APPROVED, BUT ONLY FOR CONFORMANCE TO THE DESIGN CONCEPT OF THE WORK, AND SUBJECT TO FURTHER LIMITATIONS AND REQUIREMENTS CONTAINED IN THE CONSTRUCTION CONTRACT DOCUMENTS.

REJECTED REVISE AND RESUBMIT FORWEN AS CORRECTED

CORRECTIONS OR COMMENTS MADE ON THE SHOP DRAWINGS DURING THIS REVIEW DO NOT RELIEVE CONTRACTOR FROM COMPLIANCE WITH REQUIREMENTS OF THE DRAWINGS AND SPECIFICATIONS. THIS CHECK IS ONLY FOR REVIEW OF GENERAL CONFORMANCE WITH THE DESIGN CONCEPT OF THE PROJECT AND GENERAL COMPLIANCE WITH THE INFORMATION GIVEN IN THE CONTRACT DOCUMENTS. THE CONTRACTOR IS RESPONSIBLE FOR CONFIRMING AND CORRELATING ALL QUANTITIES AND DIMENSIONS, SELECTING FABRICATION PROCESSES AND TECHNIQUES OF CONSTRUCTION, COORDINATING HIS WORK WITH THAT OF ALL OTHER TRADES, AND PERFORMING HIS WORK IN A SAFE AND SATISFACTORY MANNER.

VHB Job Number: 5277.00
 Versarose Hangen Brunell, Inc. Reviewed By: *[Signature]*
 Date: 2-28-14

GENERAL NOTE: SEE GN101

HOLES: 15/16" (U.N.O.)

WELD PROCEDURE: SEE WELDING PROCEDURE ON S101

No.	DESCRIPTION	DATE	BY	CHK
B	FOR 2nd APPROVAL	Feb 25 2014	LW	CG
A	FOR APPROVAL	Feb 5 2014	LW	CG

NOTE: BOLT 1 WASHER: 1 WASHER UNDER NUT U.N.
 BOLT 2 WASHERS: 1 WASHER UNDER HEAD U.N.
 1 WASHER UNDER NUT U.N.

STRUCTURAL
 Building Better Bridges

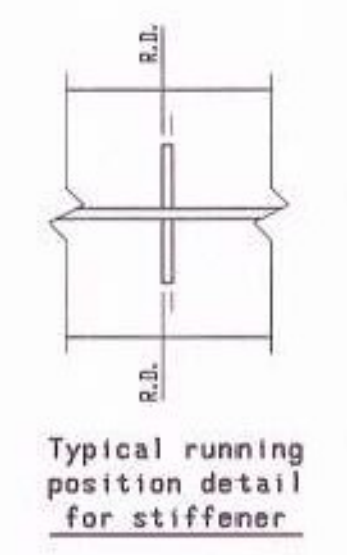
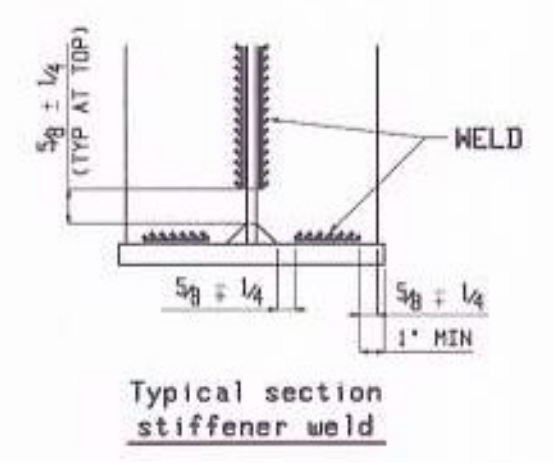
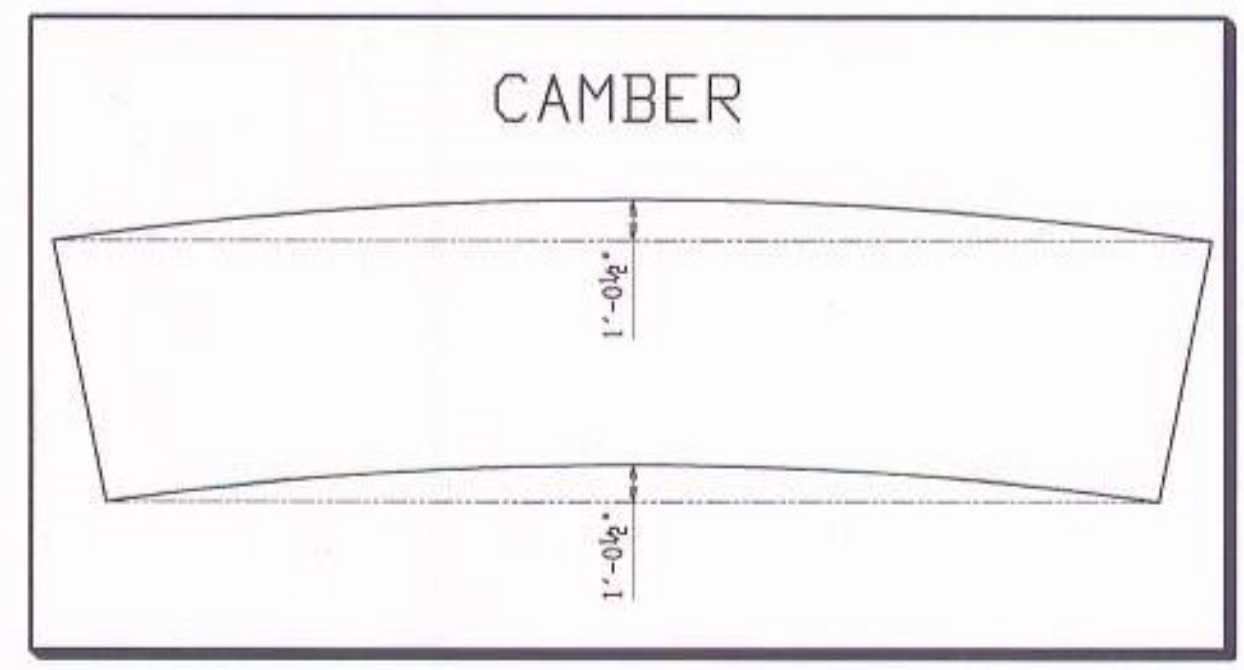
385 River Street, Claremont, NH
 T. 603.242.1202 F. 603.242.3217

PROJECT: VERMONT RTE 73
 BRIDGE NO 19
 TOWN OF ROCHESTER

TITLE: MAIN GIRDER G103

REFERENCE: PROJECT NUMBER: ER-BRT-0162 (1B)

DATE:	SAG	DATE:	JANUARY 2014	DATE:	000540
DATE:	CG	DATE:	JANUARY 2014	DATE:	103-02



35448 PRINTED ON 25 FEB 2014 AT 15:14:25 BY: MANDRELL