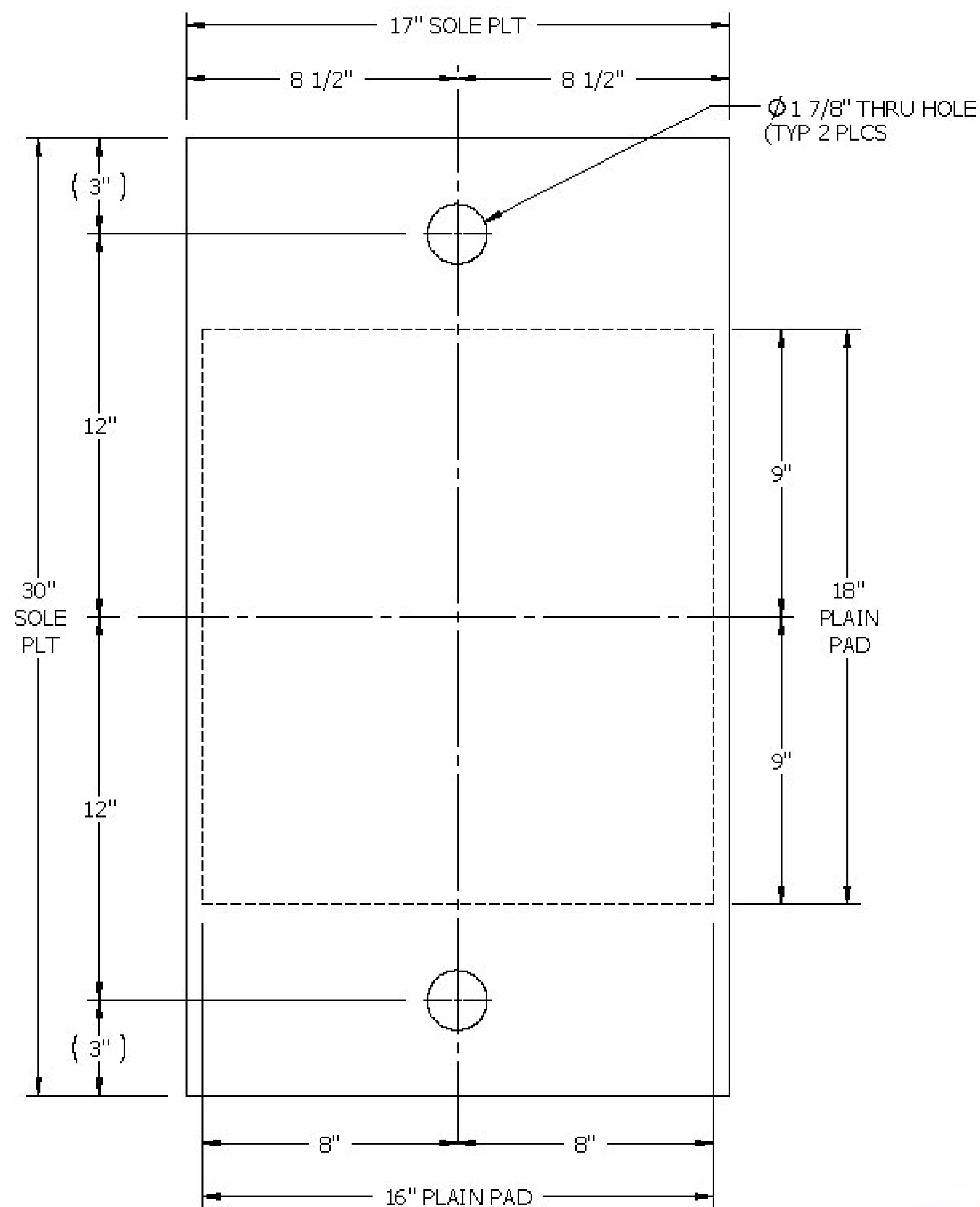
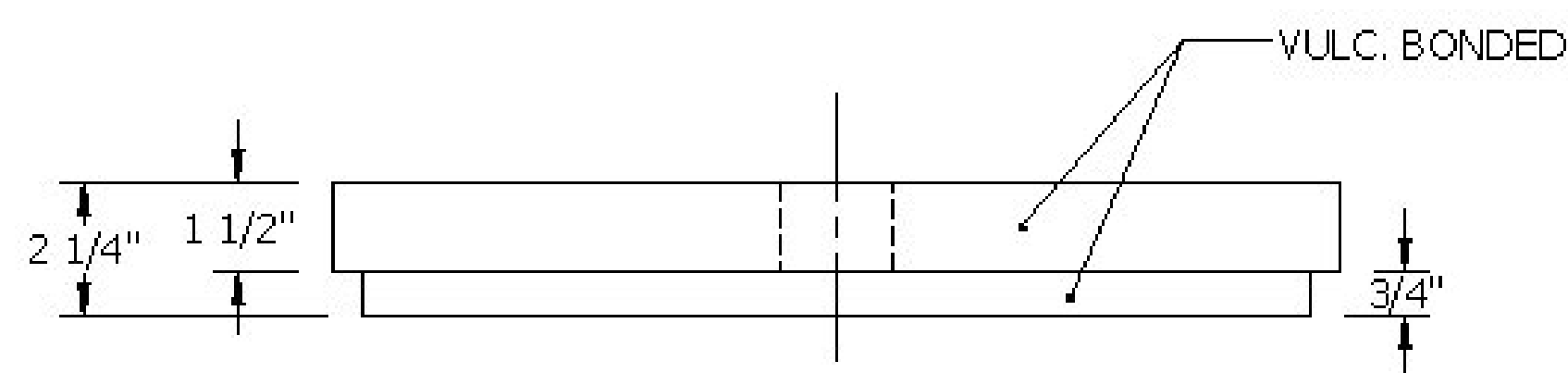


GENERAL NOTES

SEE SHEET 1



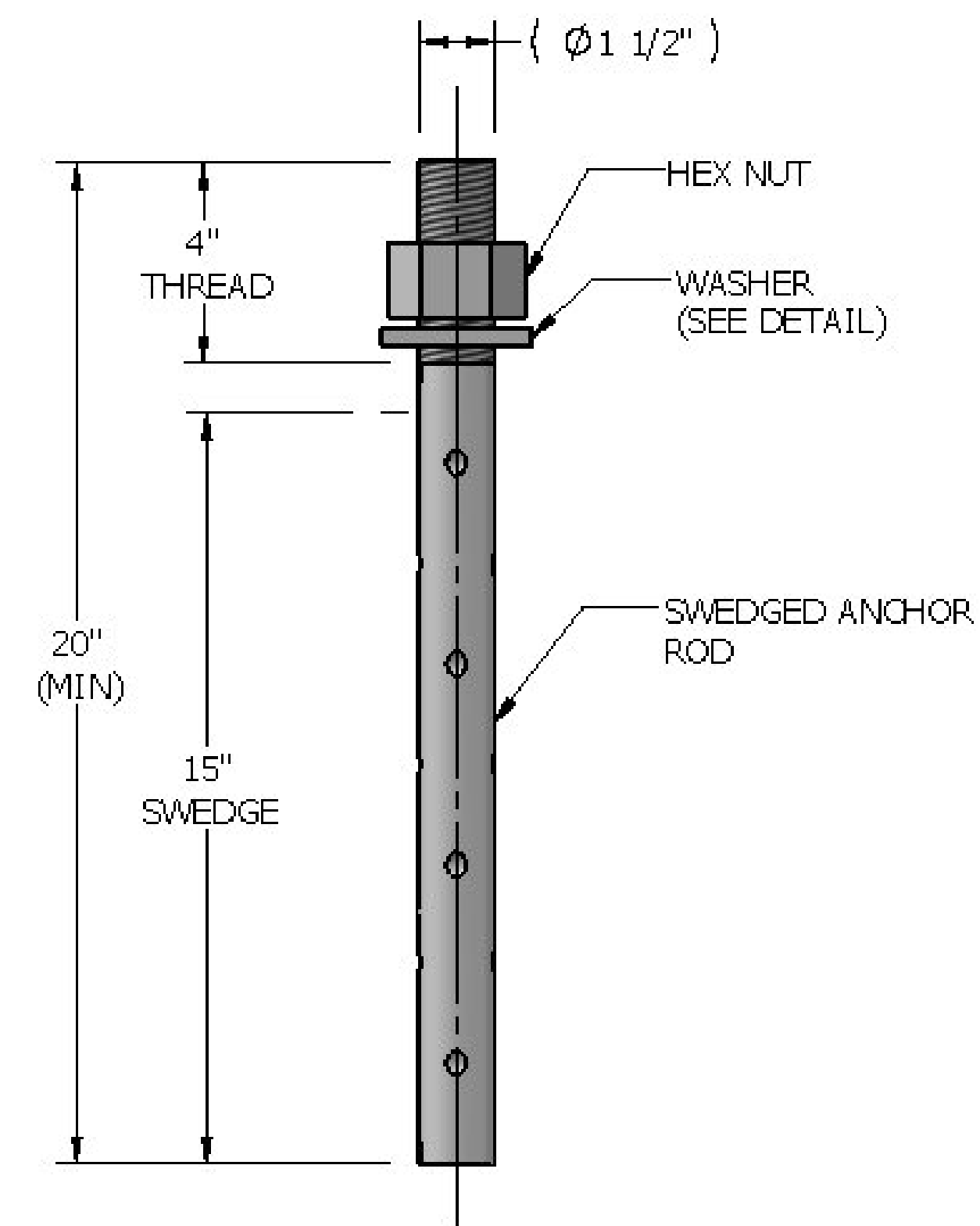
PLAN VIEW



ELEVATION VIEW

MK.02
BEARING PAD ASSEMBLY
 @ ABUT 2, BRIDGE 19, BRF 0162(18)
 FIXED

(5) REQ'D

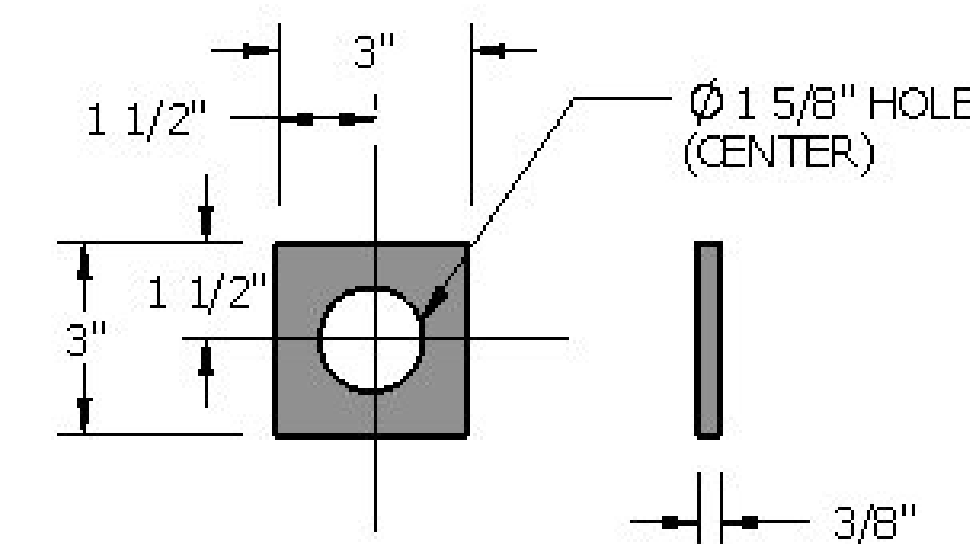


MK.03
ANCHOR ROD ASSEMBLY
 1 1/2-6UNC X 20" (MIN.) LONG ASTM F1554 GR. 55
 SWEDGED ANCHOR ROD
 WITH ONE ASTM A563 HEAVY HEX NUT
 AND ONE ASTM A36 PLATE WASHER (SEE DETAIL)
 ALL GALVANIZED PER ASTM A153/A123 AS APPLICABLE

@ BRIDGE 19, BRF 0162(18)

(10) ASSEMBLIES REQ'D

REVISIONS		
REV.	DESCRIPTION	DATE
A	SUBMITTAL	2/25/14
B	REVISE AND RESUBMIT	3/7/2014



WASHER DETAIL
 3/8" X 3" X 3" ASTM A36
 STEEL PLATE WASHER
 W/ ϕ 1 5/8" HOLE - CENTER

SHOP DRAWING REVIEW		
<input checked="" type="checkbox"/>	REVIEWED AS REQUIRED BY THE CONSTRUCTION CONTRACT DOCUMENTS AND APPROVED, BUT ONLY FOR CONFORMANCE TO THE DESIGN CONCEPT OF THE WORK, AND SUBJECT TO FURTHER LIMITATIONS AND REQUIREMENTS CONTAINED IN THE CONSTRUCTION CONTRACT DOCUMENTS.	
<input type="checkbox"/>	REJECTED	<input type="checkbox"/> REVISE AND RESUBMIT <input type="checkbox"/> FURNISH AS CORRECTED
CORRECTIONS OR COMMENTS MADE ON THE SHOP DRAWINGS DURING THIS REVIEW DO NOT RELIEVE CONTRACTOR FROM COMPLIANCE WITH REQUIREMENTS OF THE DRAWINGS AND SPECIFICATIONS. THIS CHECK IS ONLY FOR REVIEW OF GENERAL CONFORMANCE WITH THE DESIGN CONCEPT OF THE PROJECT AND GENERAL COMPLIANCE WITH THE INFORMATION GIVEN IN THE CONTRACT DOCUMENTS. THE CONTRACTOR IS RESPONSIBLE FOR: CONFIRMING AND CORRELATING ALL QUANTITIES AND DIMENSIONS; SELECTING FABRICATION PROCESSES AND TECHNIQUES OF CONSTRUCTION; COORDINATING HIS WORK WITH THAT OF ALL OTHER TRADES; AND PERFORMING HIS WORK IN A SAFE AND SATISFACTORY MANNER.		
	Vanasse Hangen Brustlin, Inc. 7055 US Route 7 North Ferrisburgh, VT 05473 802.425.7788	Job Number: 57517 Reviewed By: E.A. FIALA Date: 04/03/2014

Seismic Energy Products, Inc.

STRUCTURAL BEARINGS FOR BRIDGES & BUILDINGS
 ATHENS, TX PHONE: 903-675-8571

BEARING ASSY FOR:
 STATE OF VERMONT AGENCY OF TRANSPORTATION

VT ROUTE 73 (RURAL MAJOR COLLECTOR)

CONTRACTOR:
 W.M. SCHULTZ CONSTRUCTION, INC.

DRAWN	DATE	PO #	EMAIL
CWILLIAMS	2/10/13		
CHECKED	DATE	SO NO. & ST.	
		58055 VT	
REVIEWED	DATE		
MEPELLMAN	2/25/14		

BRIDGE NOS.
 15, 16 & 19

SHEET 2 OF 2