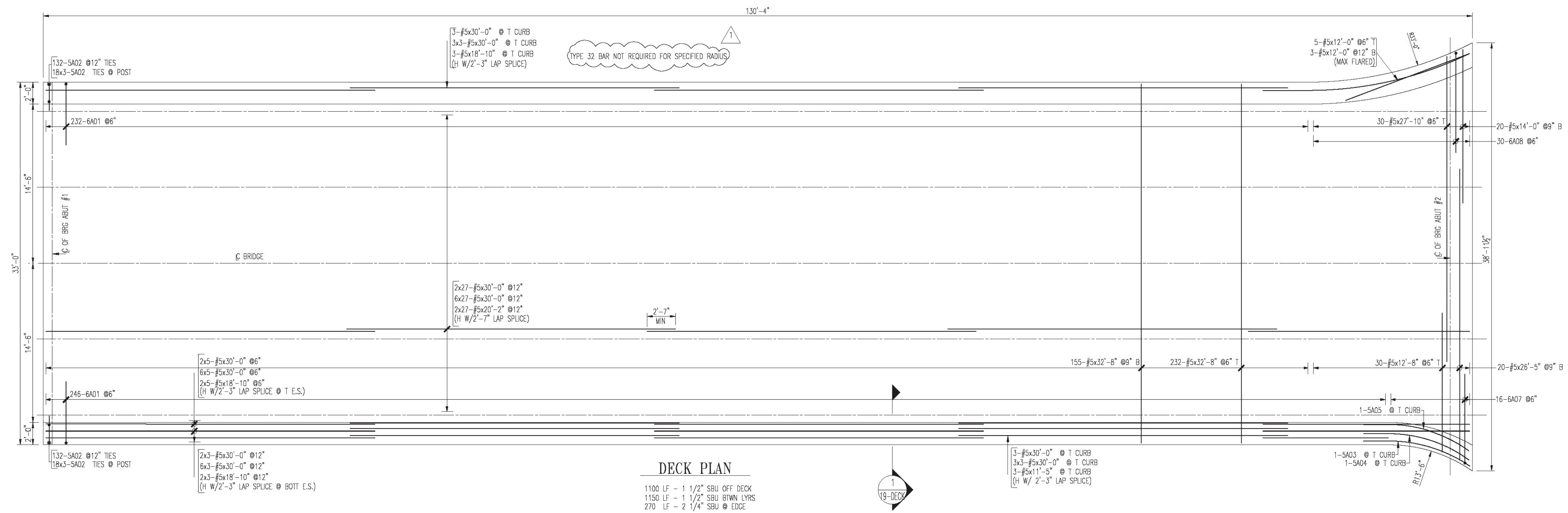
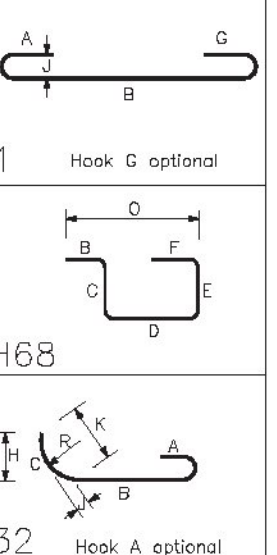
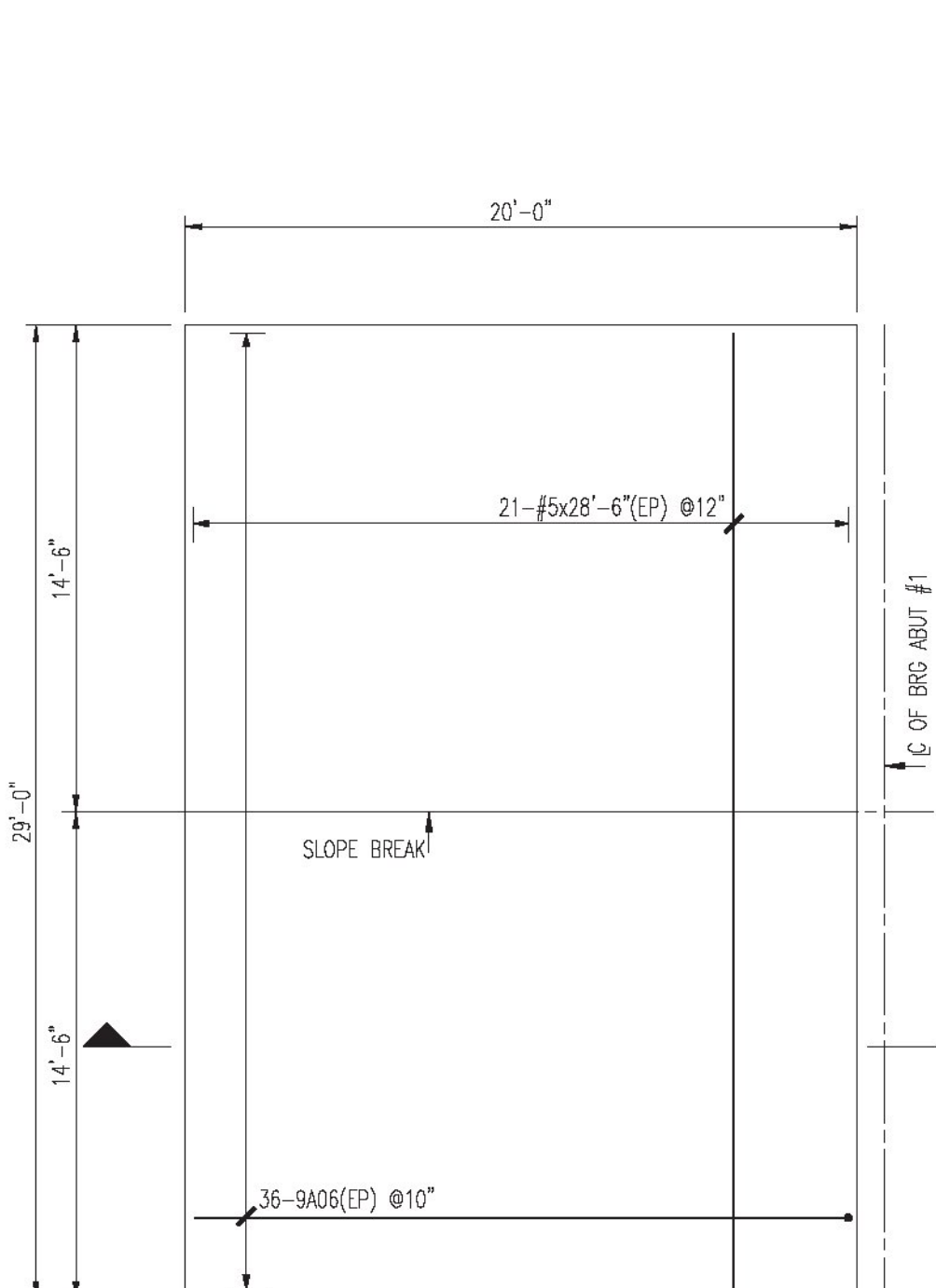


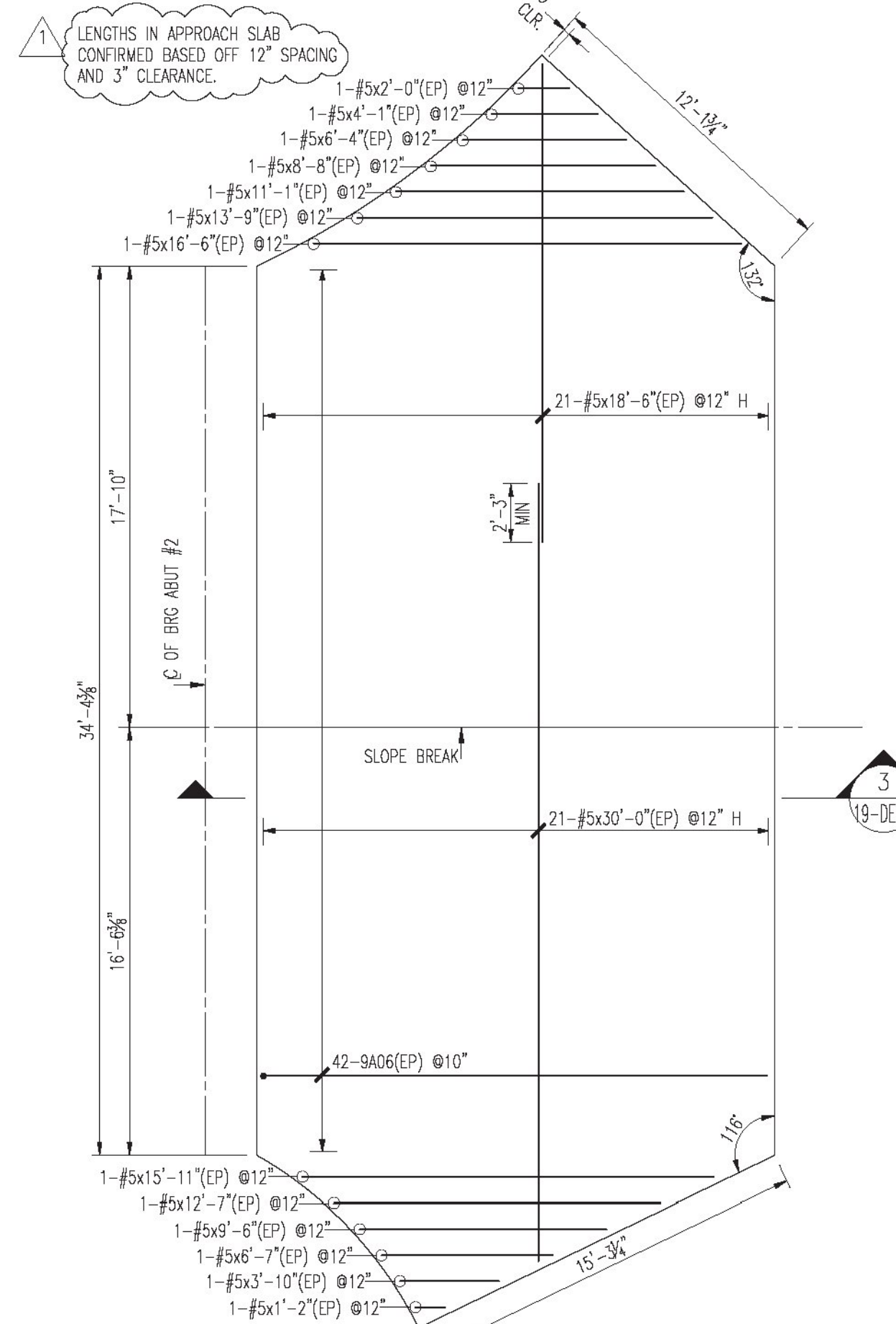
Bar Mark	Qty	Size	Total Length	Type	X'	Y'	Z'	BR LIST	X'	Y'	Z'	X'	Y'	Z'
SA01	478	#6	8'-3"	1	8'	5'-7"								
SA02	372	#6	5'-2"	H68	10'	10'	1'-8"	1'-0"	10'					
SA03	1	#6	10'-1 1/2"	32	7'-3"	7'-10 1/2"						7'-5 1/2"	7'-9 1/2"	8'-8 1/2"
SA04	1	#6	10'-1 1/2"	32	7'-3"	7'-10 1/2"						7'-4 1/2"	7'-8 1/2"	8'-7 1/2"
SA05	1	#6	10'-1 1/2"	32	7'-3"	7'-10 1/2"						7'-4 1/2"	7'-8 1/2"	8'-7 1/2"
SA06	78	#6	20'-0"	1	1'-3"	19'-0"						11 1/2"		
SA07	16	#6	8'-2"	1	8'	8'-1"						6'		
SA08	30	#6	9'-4"	1	8'	9'-1"						6'		



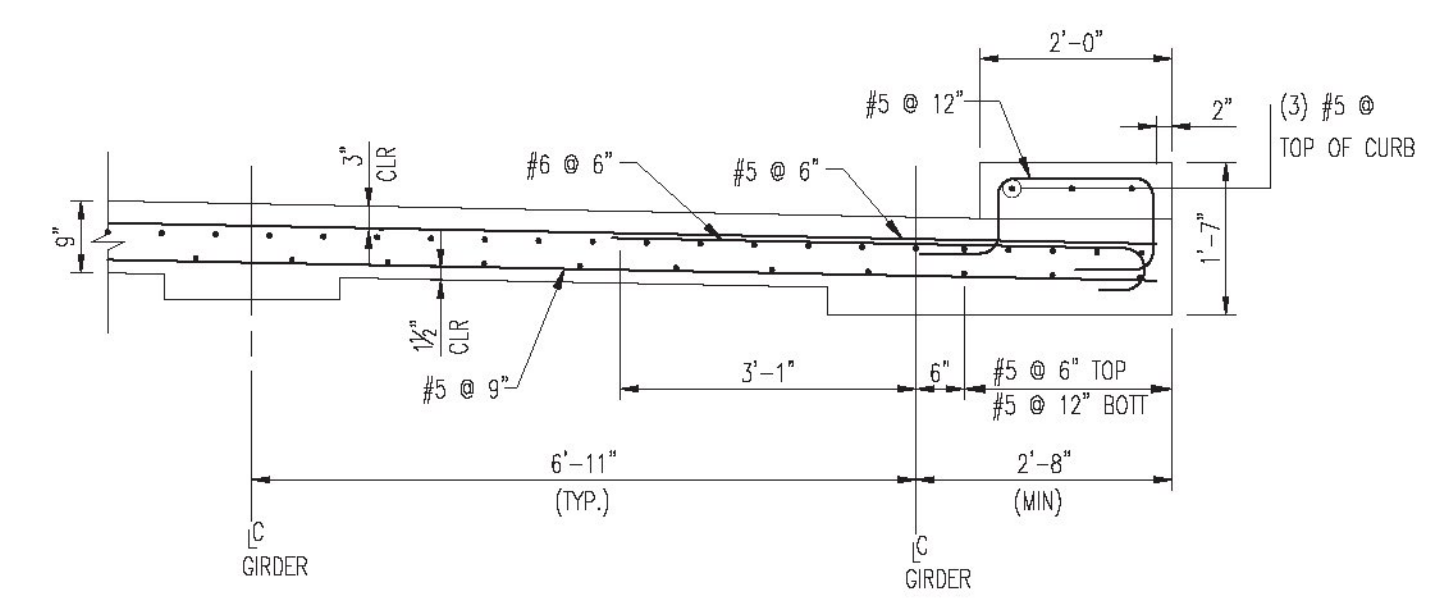
DECK PLAN
 1100 LF - 1 1/2" SBU OFF DECK
 1150 LF - 1 1/2" SBU BTWN LYRS
 270 LF - 2 1/4" SBU @ EDGE



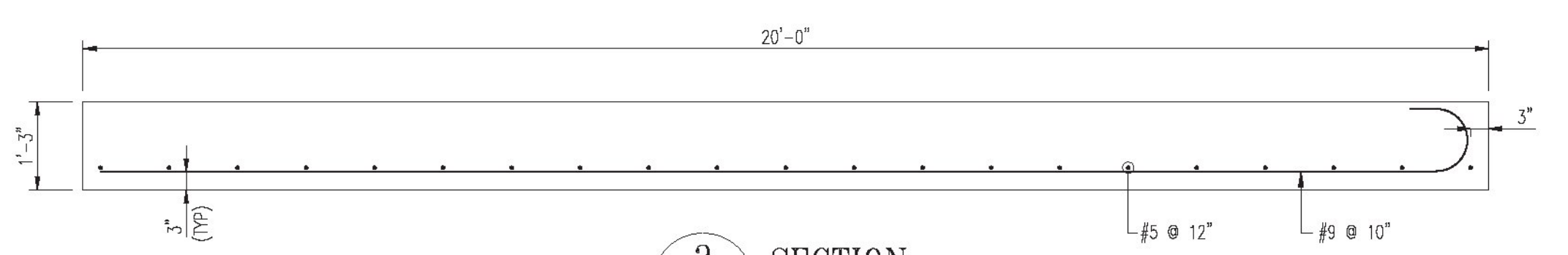
APPROACH SLAB #1
 150 LF 3" SBU @ 48" OFF GRADE



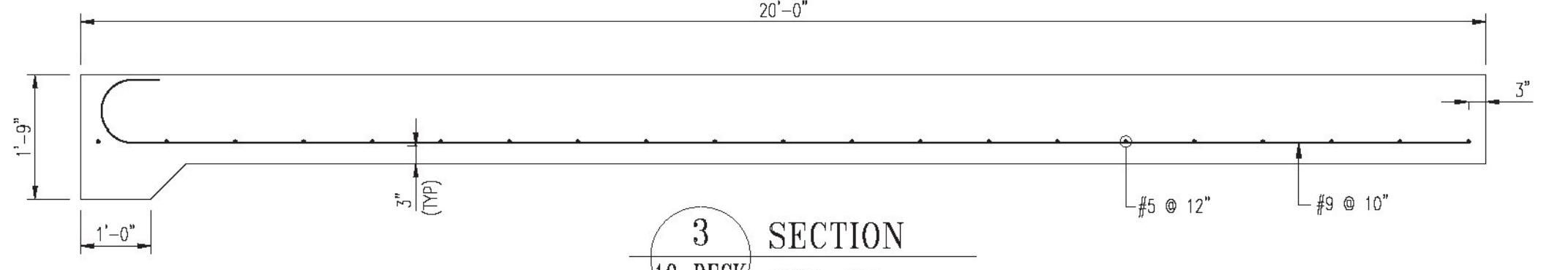
APPROACH SLAB #2
 240 LF 3" SBU @ 48" OFF GRADE



1 TYP. OVERHANG DETAIL
 SCALE: N.T.S.



2 SECTION
 SCALE: N.T.S.



3 SECTION
 SCALE: N.T.S.

SHOP DRAWING REVIEW

REVIEWED AS REQUIRED BY THE CONSTRUCTION CONTRACT DOCUMENTS AND APPROVED, BUT ONLY FOR CONFORMANCE TO THE DESIGN CONCEPT OF THE WORK, AND SUBJECT TO FURTHER LIMITATIONS AND REQUIREMENTS CONTAINED IN THE CONSTRUCTION CONTRACT DOCUMENTS.

REJECTED REVISE AND RESUBMIT FURNISH AS CORRECTED

CORRECTIONS OR COMMENTS MADE ON THE SHOP DRAWINGS DURING THIS REVIEW DO NOT RELIEVE CONTRACTOR FROM COMPLIANCE WITH REQUIREMENTS OF THE DRAWINGS AND SPECIFICATIONS. THIS CHECK IS ONLY FOR REVIEW OF GENERAL CONFORMANCE WITH THE DESIGN CONCEPT OF THE PROJECT AND GENERAL COMPLIANCE WITH THE INFORMATION GIVEN IN THE CONTRACT DOCUMENTS. THE CONTRACTOR IS RESPONSIBLE FOR CONFIRMING AND CORRELATING ALL QUANTITIES AND DIMENSIONS, SELECTING FABRICATION PROCESSES AND TECHNIQUES OF CONSTRUCTION, COORDINATING HIS WORK WITH THAT OF ALL OTHER TRADES, AND PERFORMING HIS WORK IN A SAFE AND SATISFACTORY MANNER.

VHB Job Number: 57917
 Reviewed By: B. Masse
 Date: 6-3-14

ALL MATERIAL ON MAIN DECK TO BE DUAL COATED REINF.

OTHER MTRL. ON THIS DWG NOTED W/ (EP) SHALL BE ASTM A775 GRADE 60 "EPOXY COATED" U.N.O.

LAP CHART-U.N.O.

Bar Size	Top Bars	Other Bars
#11	100"	71"
#10	91"	66"
#9	81"	61"
#8	71"	56"
#7	61"	51"
#6	51"	46"
#5	41"	41"
#4	31"	36"
#3	21"	31"

* Top bars are horiz. bars with more than 12" of concrete cast below the bars.

No.	Description	Date	By
1	REV. PER REVISION DWGS.	05/27/2014	MAD
0	SENT FOR APPROVAL	5-7-14	MAD

Revisions and Issue Record

The full intent and purpose of this drawing is the placing of reinforcing steel bars ONLY. It is NOT to be used as a means of communication between the Architect, Engineer, Contractor or any other Sub-trades.

THIS DRAWING IS NOT TO BE SCALED.

HarrisRebar
 Rebar Steel
 National Strength. Local Service.

DETAILED AT:
 MILFORD
 MASSACHUSETTS

Project: BR 0162 VT RTE 73 & 100 ROCHESTER, VT

Drawing: BR #19 DECK & APP. SLAB REINF PLAN & SECTIONS

Customer: W.M. SCHULTZ CONSTRUCTION, INC

Engineer: VANASSE HANGEN BRUSTLIN, INC.

Refer to Release:

Date	Drawn	Chkd.	JOB No.	Dwg. No.
05/02/2014	MAD	JOE	33505211	19-DECK

W:\Melisso Proj. Folder\33505211-W.M. Schultz Const.-Rochester Bridge\Placing Drawings\DWGS\REV#_19-DECK.dwg