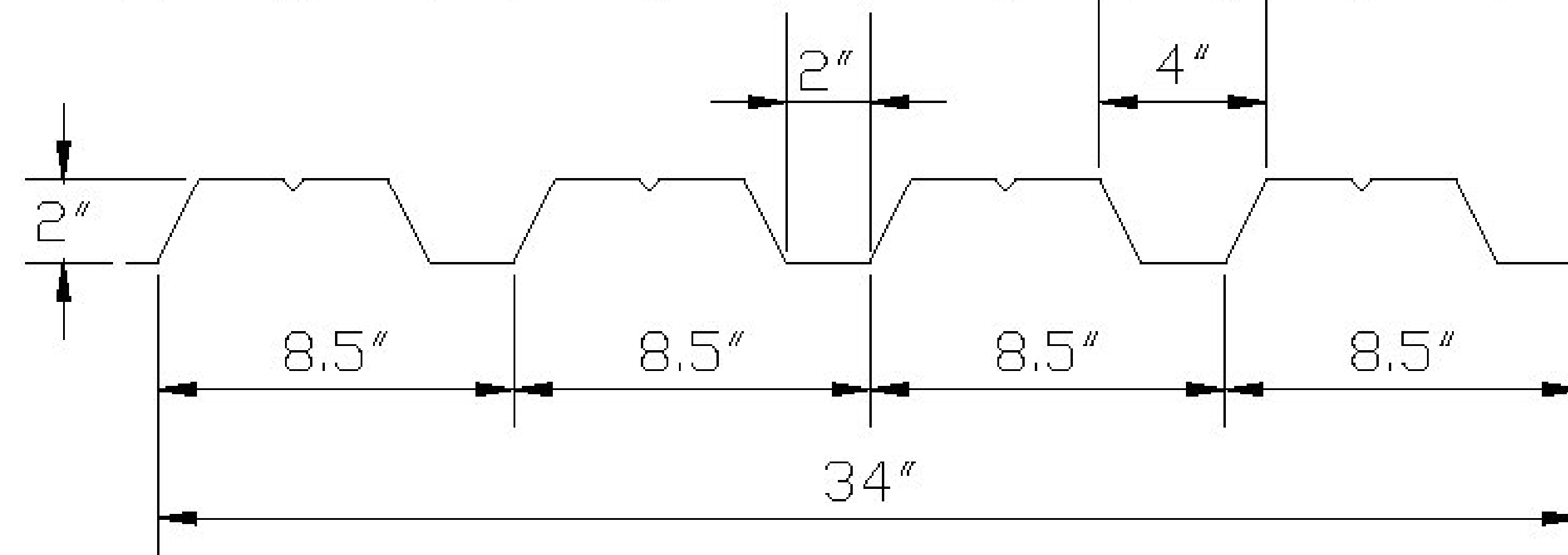
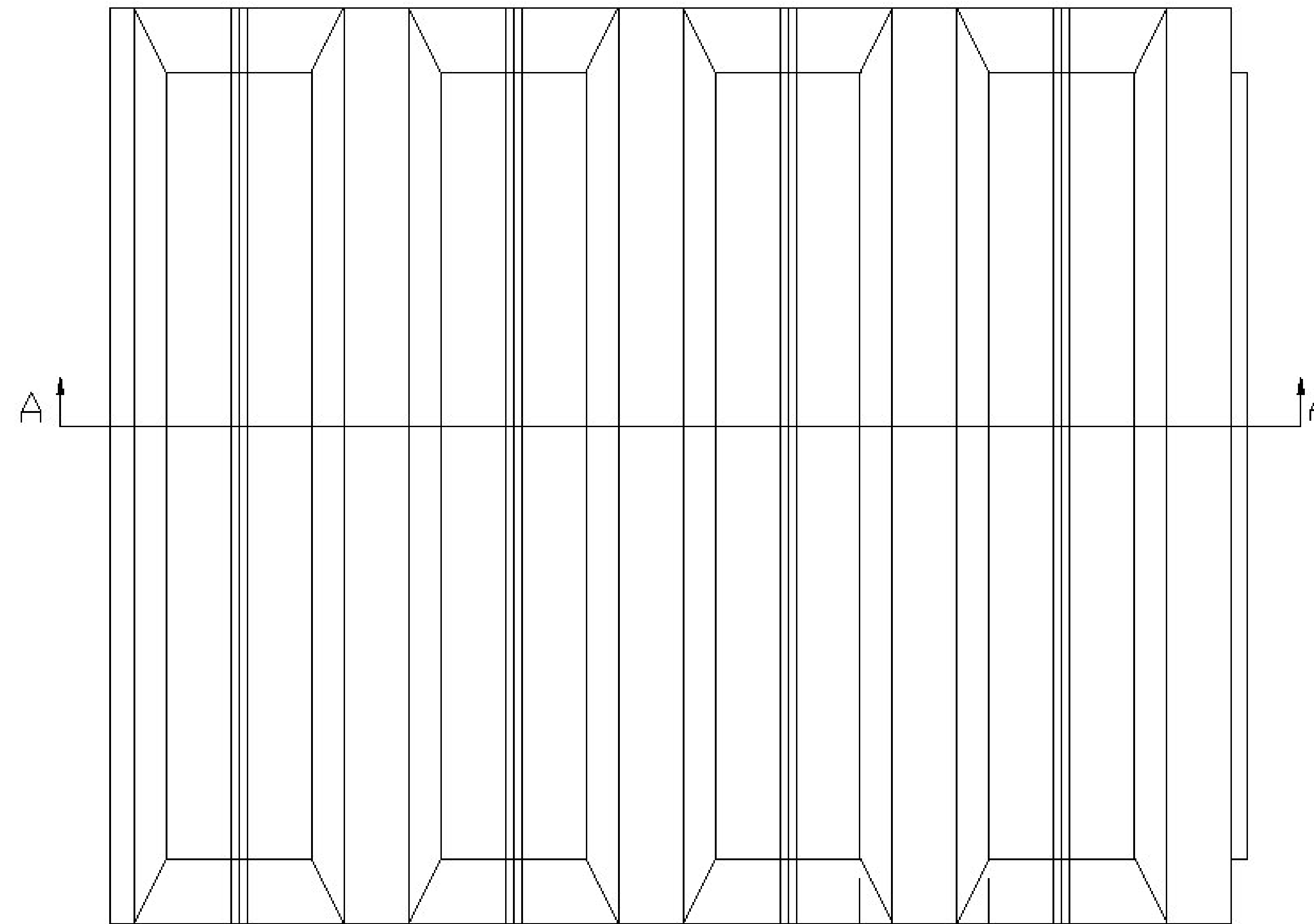


S.I.P., INC. OF DELAWARE  
 2204 CHESTNUT ST.,  
 GADSDEN, AL 35904  
 (256) 546-5858 FAX(256) 546-5859

FORM SIZE 2" X 8.5"  
 GALV. COATING : G-165



SECTION "A-A"

METAL THICKNESS IN INCHES	STRUCTURAL PROPERTIES I=IN <sup>4</sup> S=IN <sup>3</sup>	WEIGHT P.S.F.
22GA.	S= .260 I= .319	1.89
20GA.	S= .308 I= .385	2.22
.0359	S= .317 I= .396	2.31
.040	S= .357 I= .442	2.45
.045	S= .405 I= .498	2.77
.050	S= .450 I= .553	3.05
.055	S= .495 I= .609	3.31
.060	S= .539 I= .665	3.60
.065	S= .583 I= .721	3.89

SHEET X OF X  
 W.D.XXX