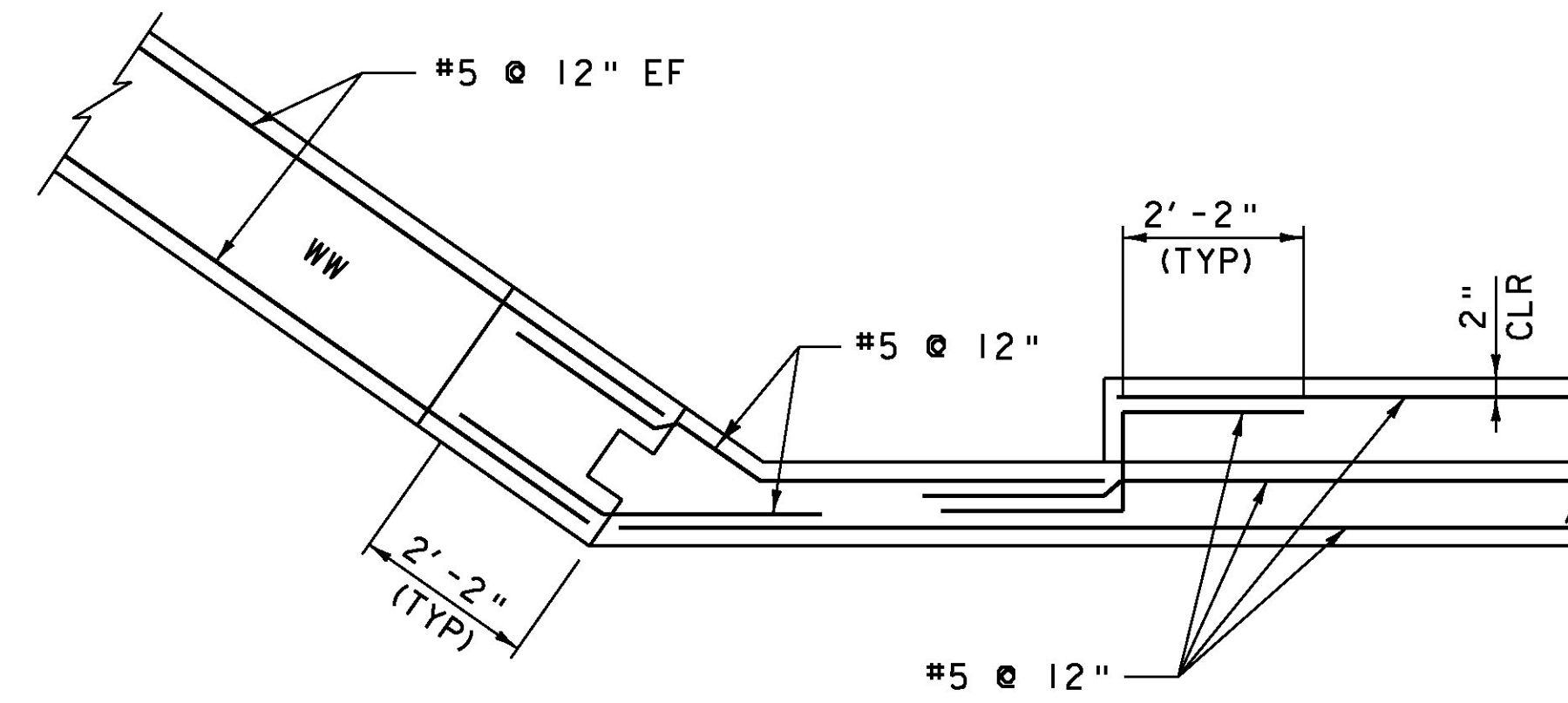
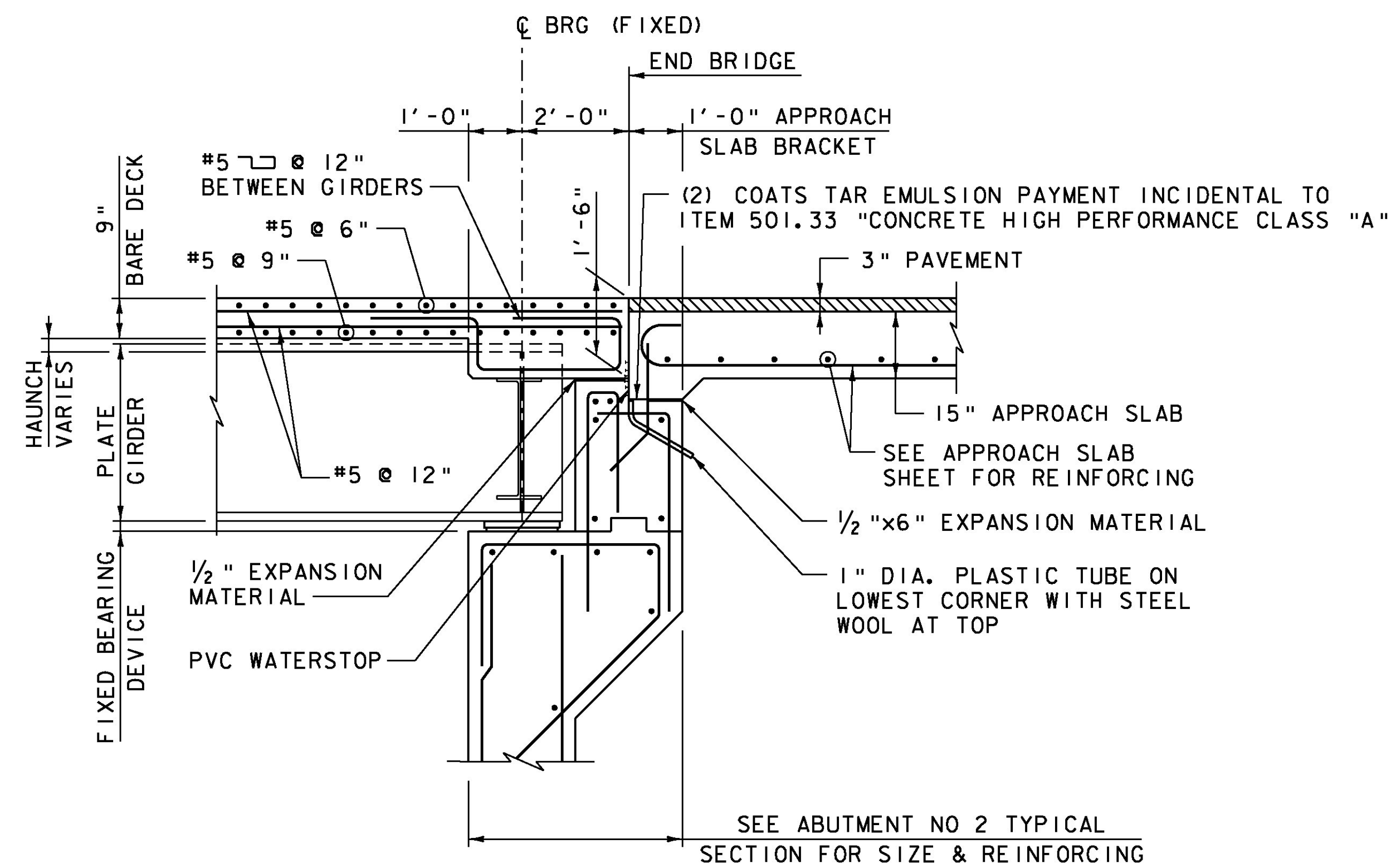


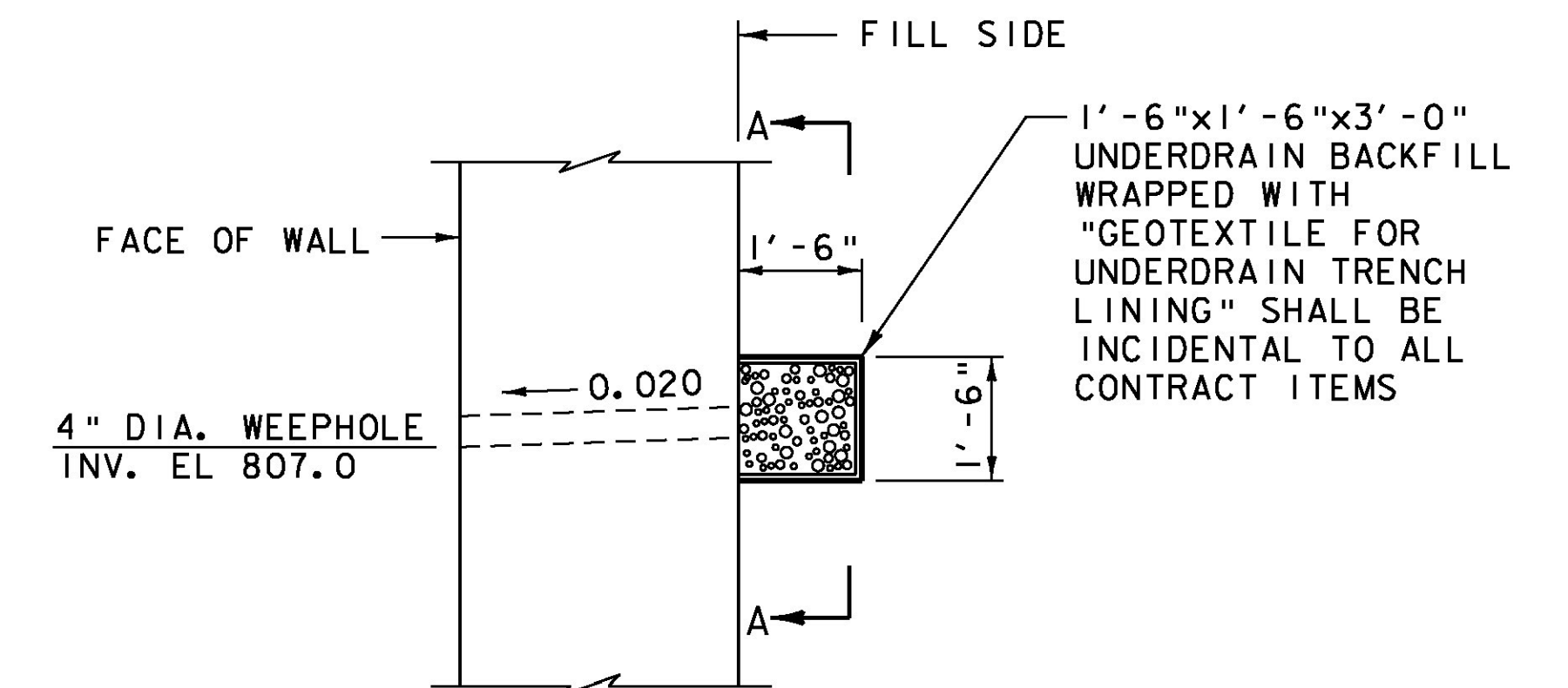
CORNER DETAIL BELOW BRIDGE SEAT
 (WINGWALL NO 3 SHOWN, WINGWALL NO 4 SIMILAR)
 SCALE 1/2" = 1'-0"



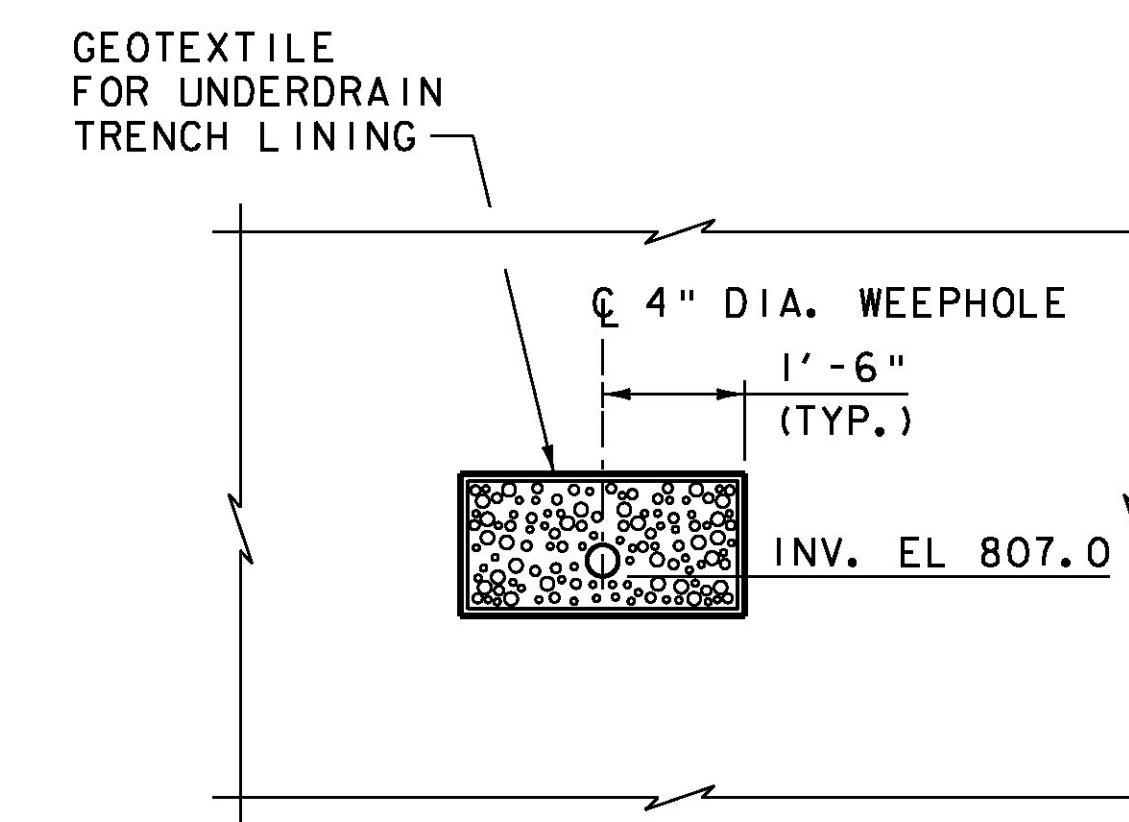
CORNER DETAIL ABOVE BRIDGE SEAT
 (WINGWALL NO 3 SHOWN, WINGWALL NO 4 SIMILAR)
 SCALE 1/2" = 1'-0"



END BRIDGE BACKWALL DETAIL
 SCALE 1/2" = 1'-0"



TYPICAL WEEPHOLE DETAIL
 NOT TO SCALE



SECTION A-A
 NOT TO SCALE

NOTE:
 NF = NEAR FACE
 FF = FAR FACE
 EF = EACH FACE
 ▲ = CUT TO FIT IN FIELD
 3" CLEAR, UNLESS OTHERWISE SPECIFIED ON THE PLANS.
 2'-2" BAR LAP UNLESS OTHERWISE SPECIFIED ON THE PLANS.



PROJECT NAME:	ROCHESTER
PROJECT NUMBER:	ER BRF 0162(18)
FILE NAME:	zllc332sub.dgn
PROJECT LEADER:	S.E. BURBANK
DESIGNED BY:	J.T. KLEIN
BR 19 ABUTMENT NO 2 DETAILS	
PLOT DATE:	8/19/2013
DRAWN BY:	B.J. MASSE
CHECKED BY:	G.S. GOODRICH
SHEET	215 OF 238