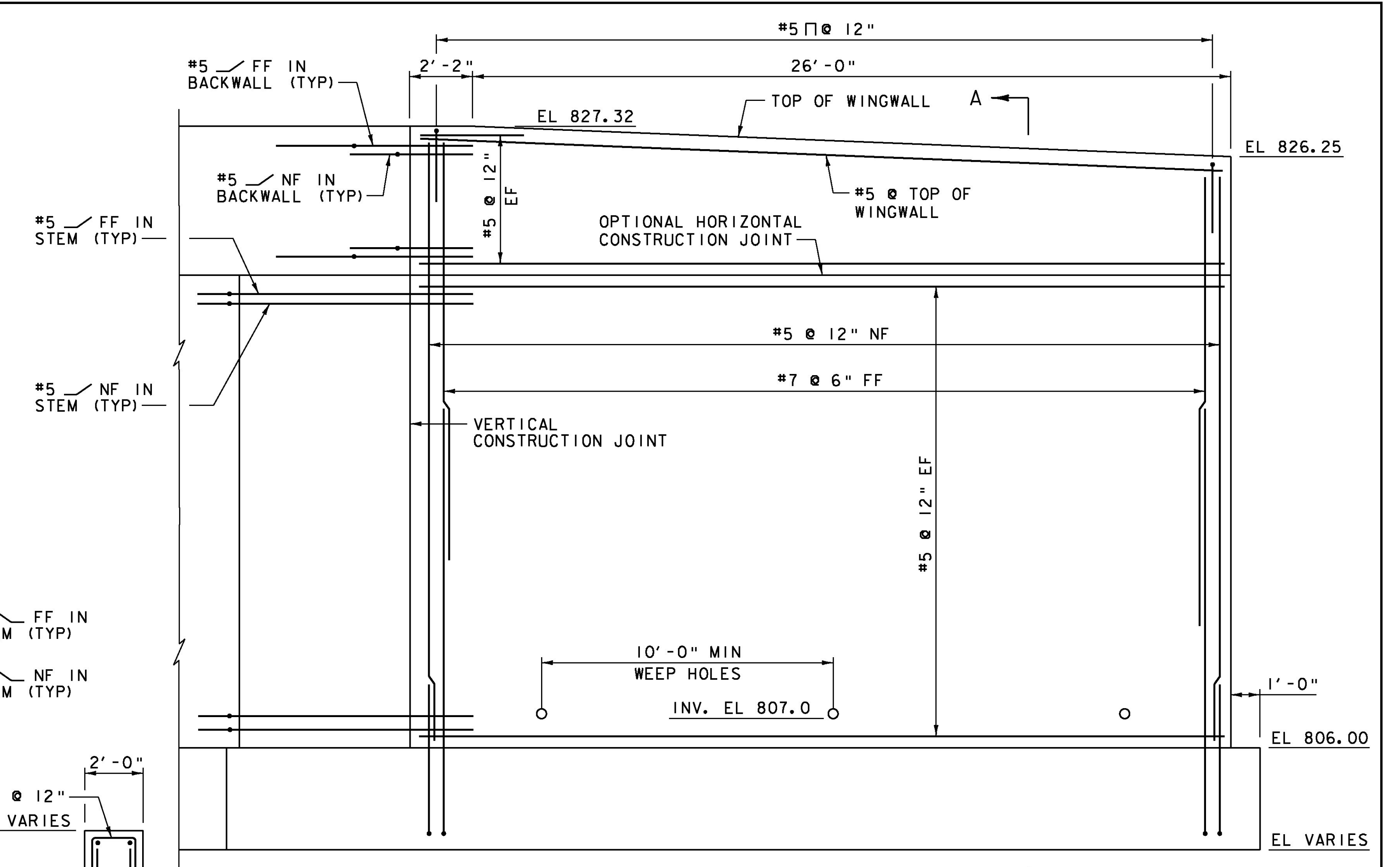
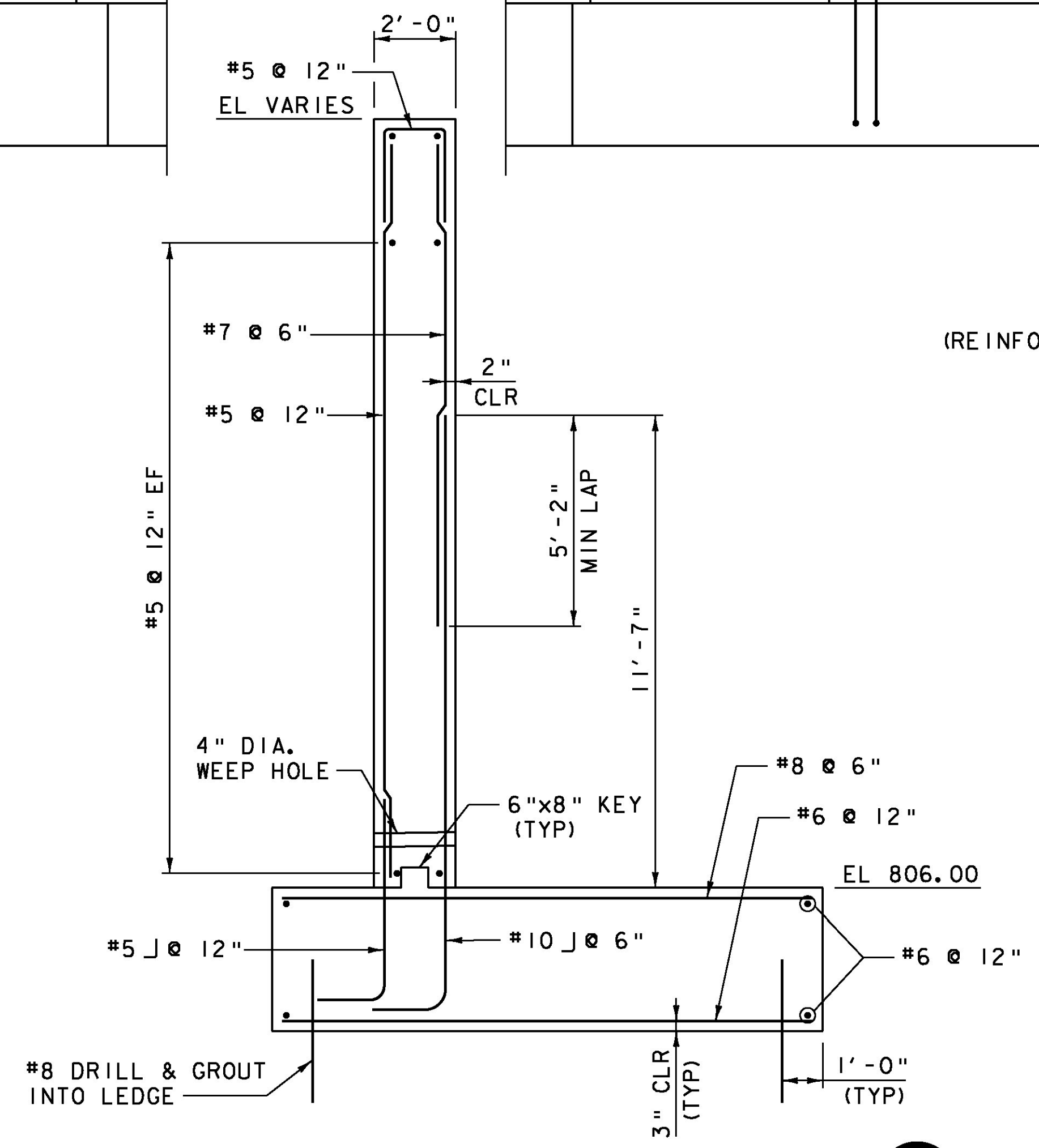


WINGWALL NO 3 ELEVATION
 (REINFORCING STEEL IN FOOTING NOT SHOWN FOR CLARITY)
 SCALE 3/8" = 1'-0"



WINGWALL NO 4 ELEVATION
 (REINFORCING STEEL IN FOOTING NOT SHOWN FOR CLARITY)
 SCALE 3/8" = 1'-0"



SECTION A-A
 SCALE 3/8" = 1'-0"

NOTE:
 NF = NEAR FACE
 FF = FAR FACE
 EF = EACH FACE
 ▲ = CUT TO FIT IN FIELD
 3" CLEAR, UNLESS OTHERWISE SPECIFIED ON THE PLANS.
 2'-2" BAR LAP UNLESS OTHERWISE SPECIFIED ON THE PLANS.

PROJECT NAME: ROCHESTER	PLOT DATE: 8/19/2013
PROJECT NUMBER: ER BRF 0162(18)	DRAWN BY: B.J. MASSE
FILE NAME: zllc332sub.dgn	DESIGNED BY: J.T. KLEIN
PROJECT LEADER: S.E. BURBANK	CHECKED BY: G.S. GOODRICH
BR 19 ABUTMENT NO 2 WINGWALLS	SHEET 214 OF 238

