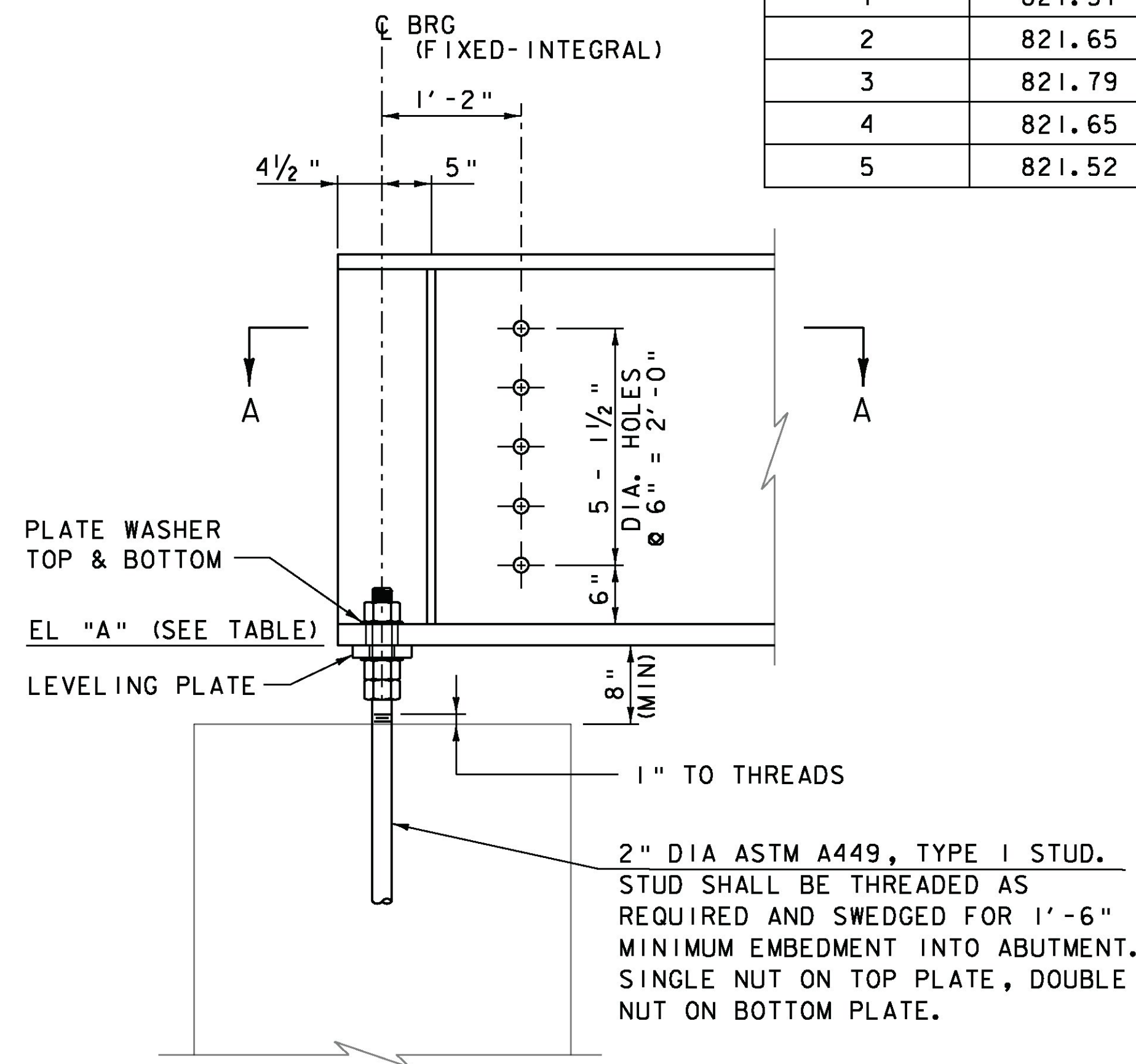
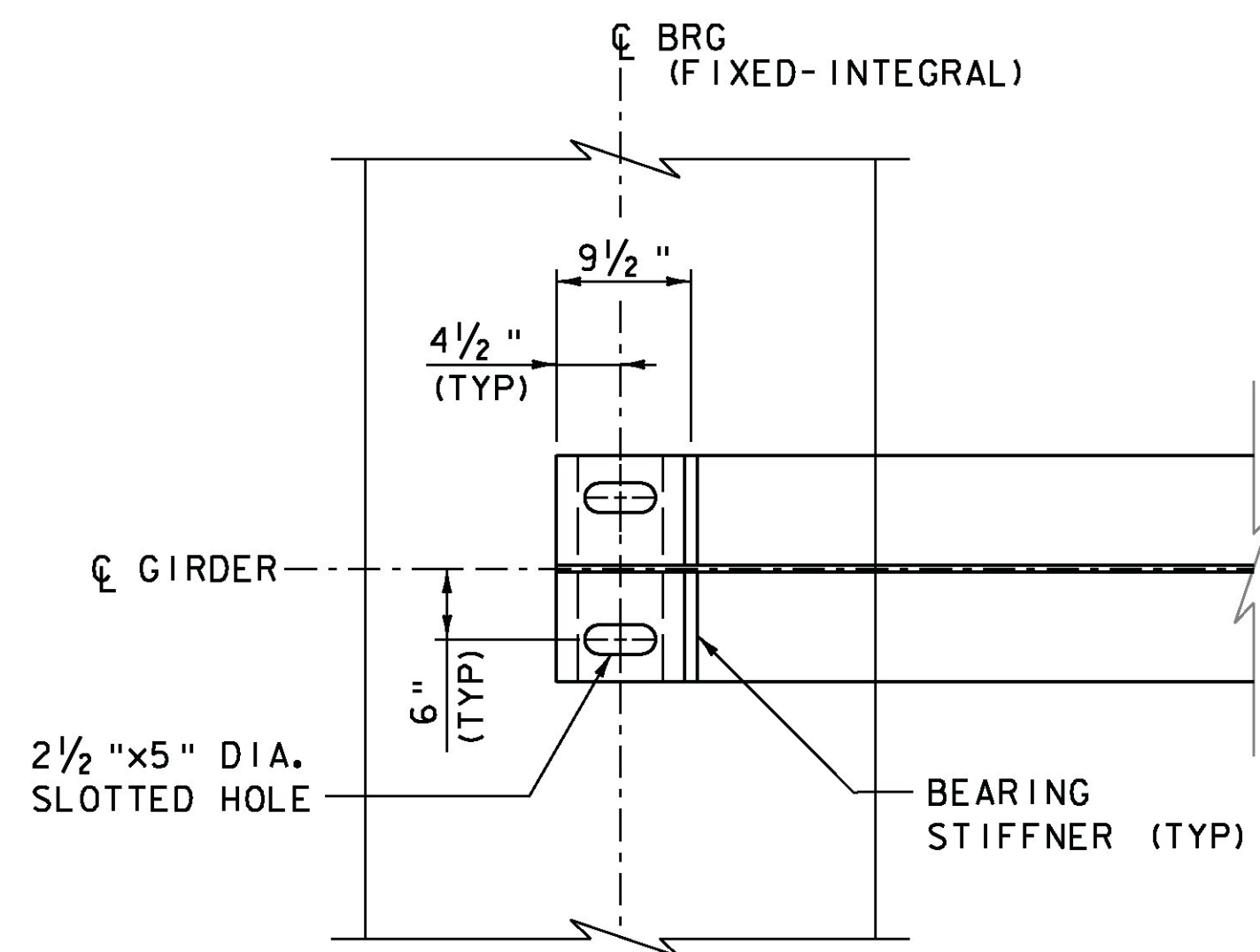


GIRDER ELEVATION TABLE

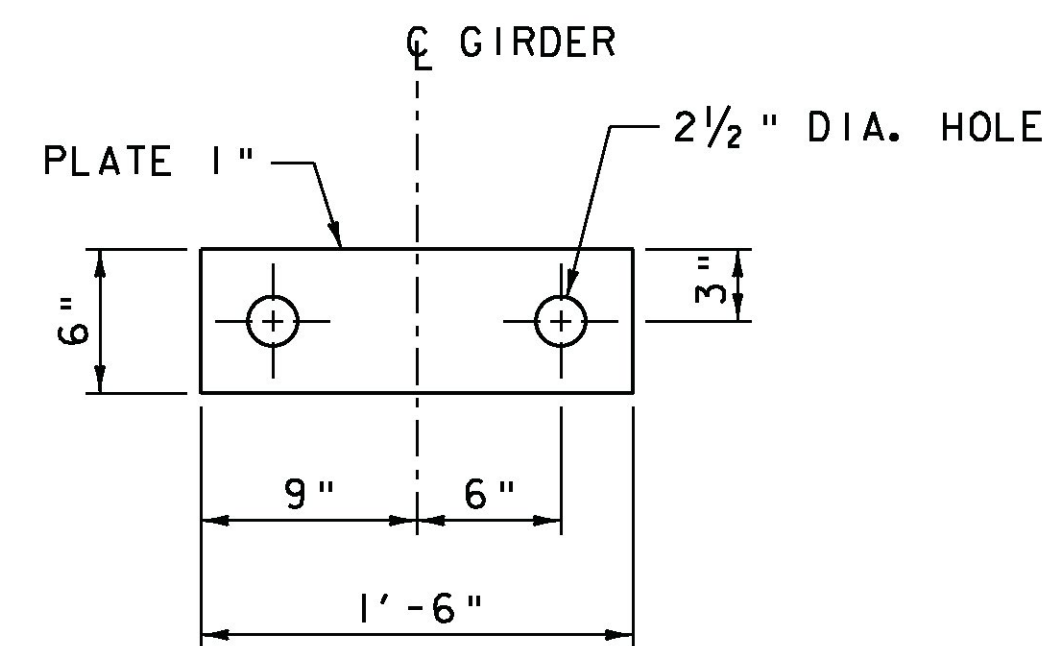
GIRDER NO	EL "A"
1	821.51
2	821.65
3	821.79
4	821.65
5	821.52



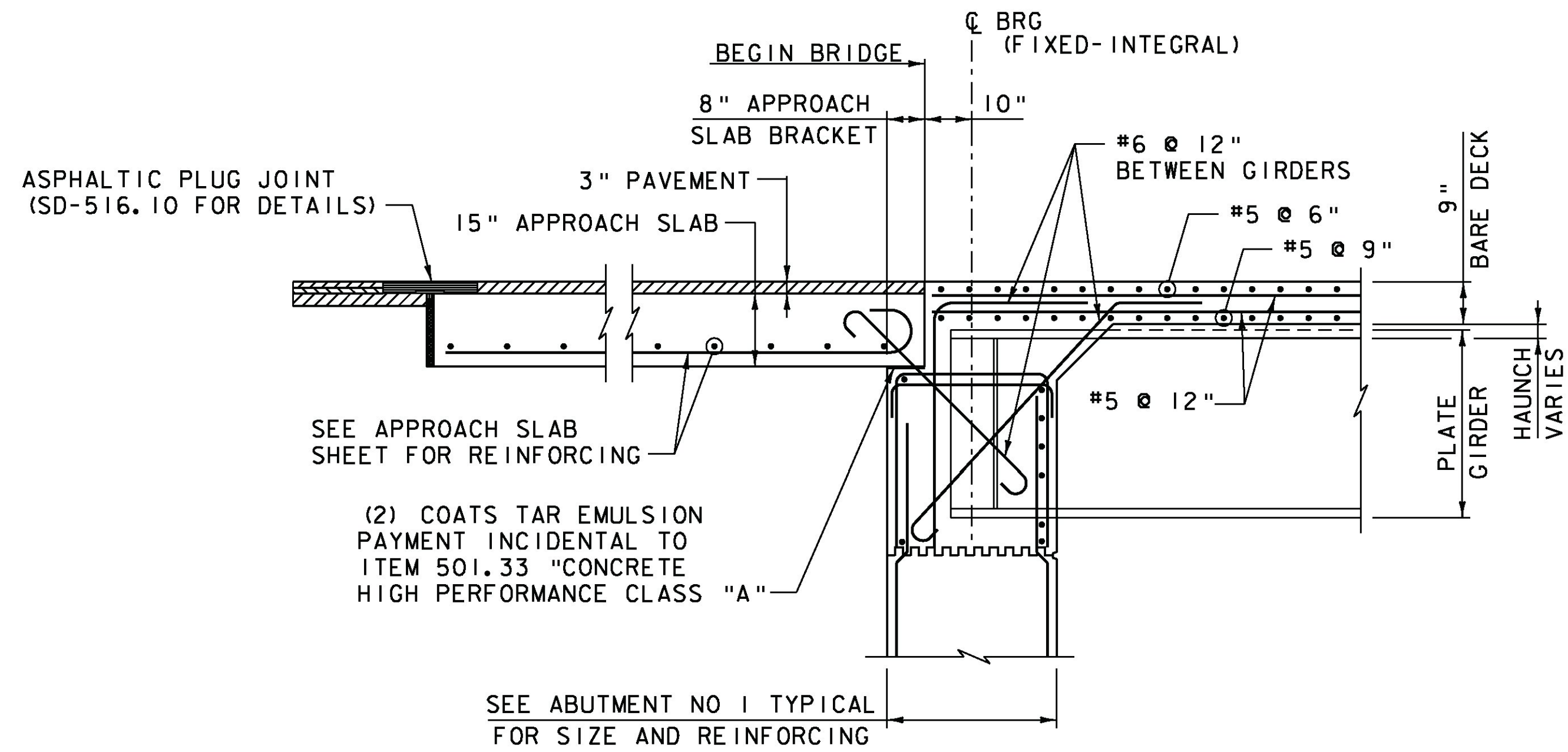
GIRDER END DETAIL
SCALE 1" = 1'-0"



SECTION A-A
SCALE 1" = 1'-0"



LEVELING PLATE
SCALE 1 1/2" = 1'-0"



BEGIN BRIDGE INTEGRAL ABUTMENT DETAIL
SCALE 1/2" = 1'-0"

NOTE:

- ANCHOR STUDS AND LEVELING PLATES SHALL BE PAID FOR BY ITEM 506.55, "STRUCTURAL STEEL, PLATE GIRDER (FPQ)".



PROJECT NAME: ROCHESTER	PLOT DATE: 8/19/2013
PROJECT NUMBER: ER BRF 0162(18)	DRAWN BY: B.J. MASSE
FILE NAME: zllc332sub.dgn	CHECKED BY: G.S. GOODRICH
PROJECT LEADER: S.E. BURBANK	SHEET 211 OF 238
DESIGNED BY: L.S. CHERVINCKY	
BR 19 ABUTMENT NO 1 DETAILS	