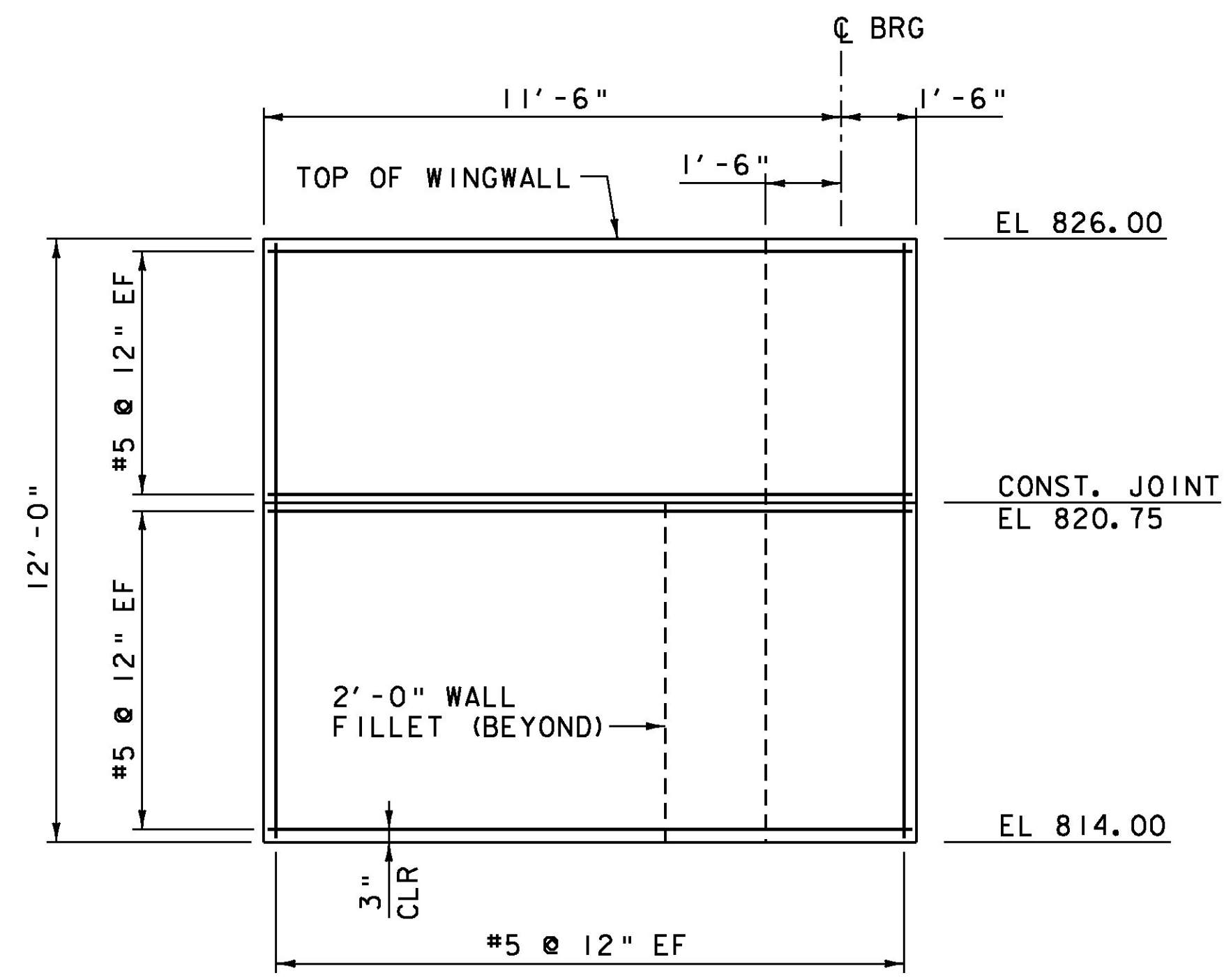
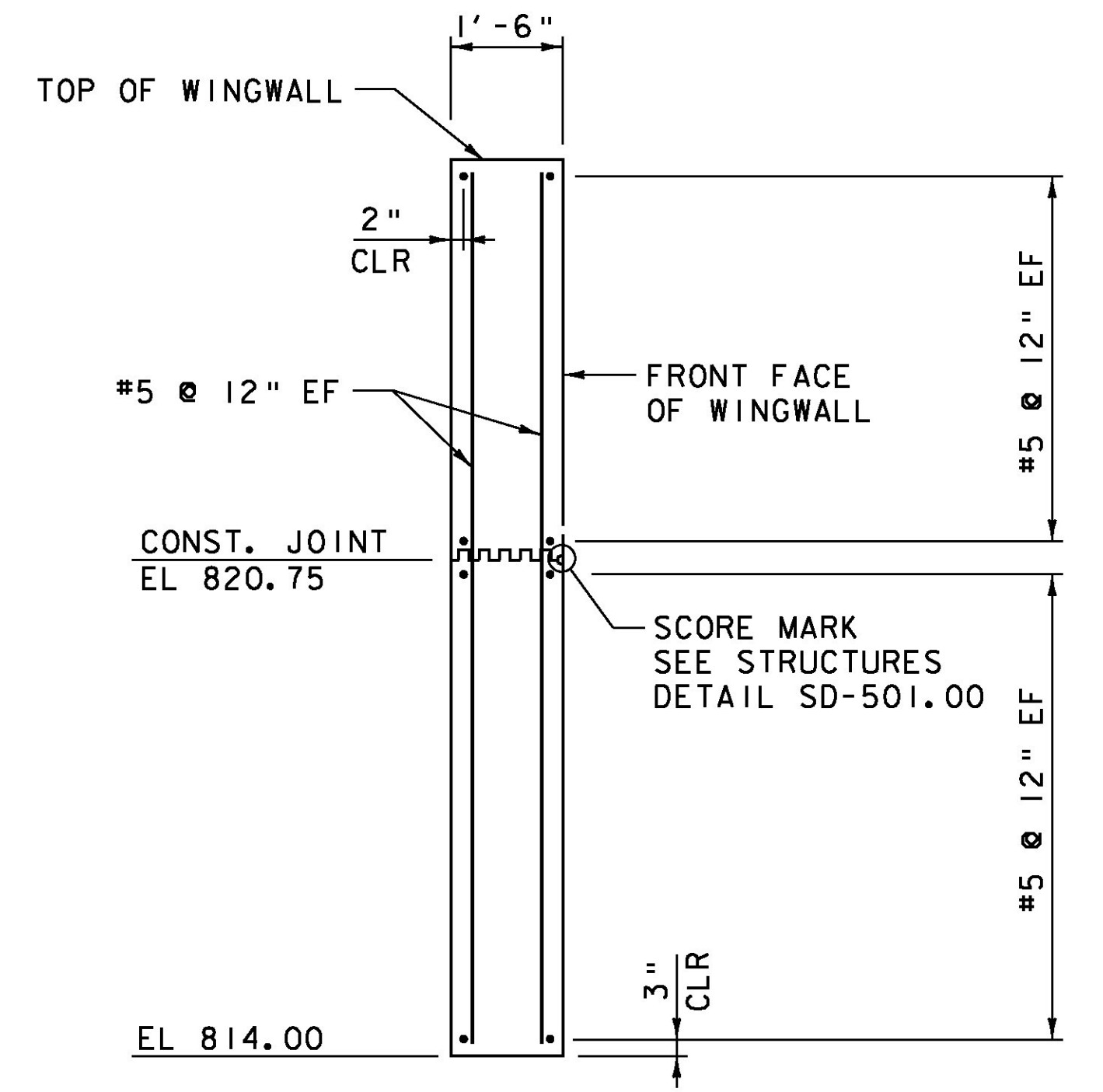


WINGWALL NO 1 ELEVATION
SCALE 3/8" = 1'-0"



WINGWALL NO 2 ELEVATION
SCALE 3/8" = 1'-0"



WINGWALL TYPICAL
SCALE 1/2" = 1'-0"

NOTE:
 NF = NEAR FACE
 FF = FAR FACE
 EF = EACH FACE
 ▲ = CUT TO FIT IN FIELD
 3" CLEAR, UNLESS OTHERWISE SPECIFIED ON THE PLANS.
 2'-2" BAR LAP UNLESS OTHERWISE SPECIFIED ON THE PLANS.

PROJECT NAME:	ROCHESTER
PROJECT NUMBER:	ER BRF 0162(18)
FILE NAME:	zllc332sub.dgn
PROJECT LEADER:	S.E. BURBANK
DESIGNED BY:	J.T. KLEIN
BR 19 ABUTMENT NO 1 WINGWALLS	
PLOT DATE:	8/19/2013
DRAWN BY:	B.J. MASSE
CHECKED BY:	G.S. GOODRICH
SHEET	210 OF 238

