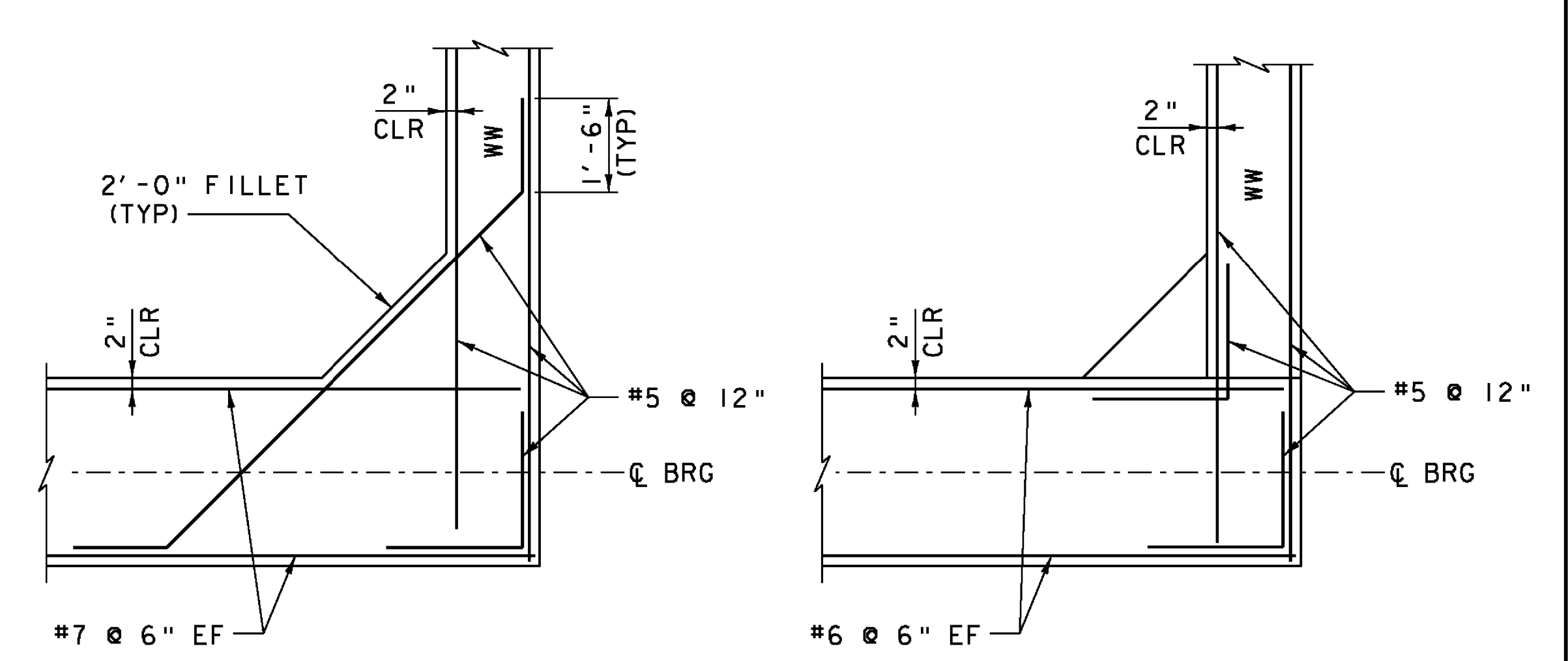
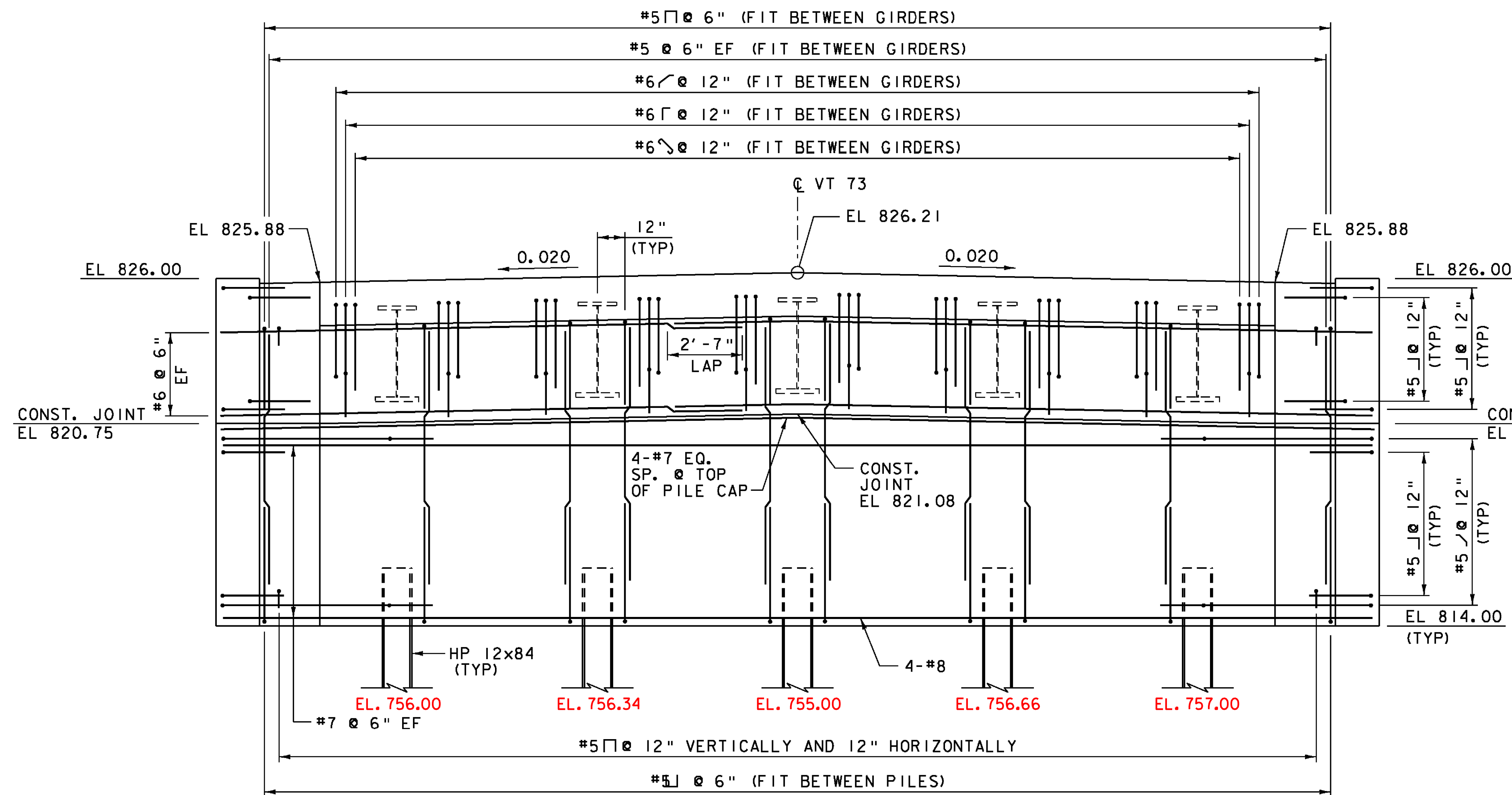


ABUTMENT NO 1 PLAN
SCALE 3/8" = 1'-0"

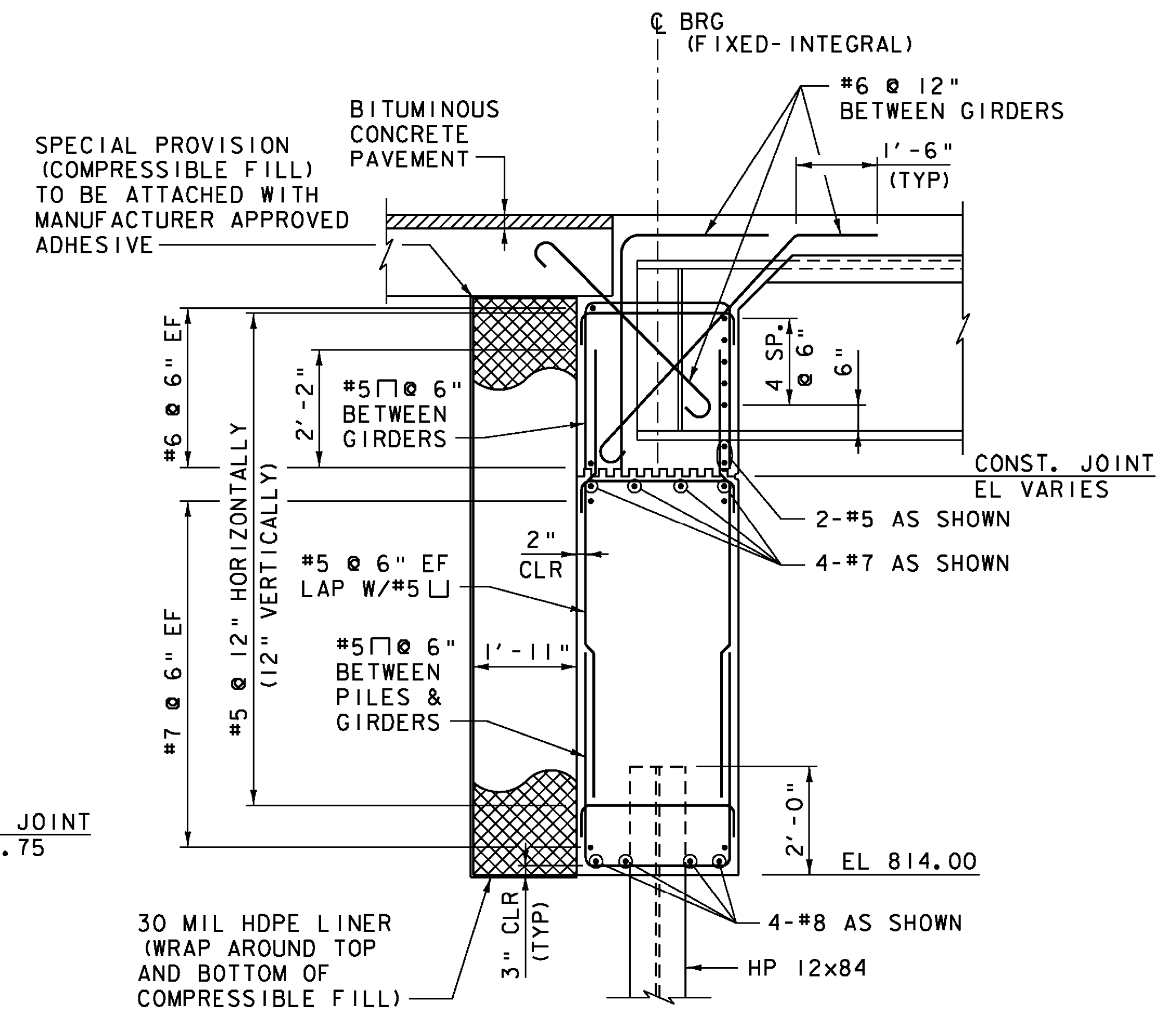


CORNER DETAIL BELOW CONSTRUCTION JOINT
SCALE 1/2" = 1'-0"

CORNER DETAIL ABOVE CONSTRUCTION JOINT
SCALE 1/2" = 1'-0"



ABUTMENT NO 1 ELEVATION
SCALE 3/8" = 1'-0"



ABUTMENT NO 1 SECTION
SCALE 1/2" = 1'-0"

NOTE:
 NF = NEAR FACE
 FF = FAR FACE
 EF = EACH FACE
 ▲ = CUT TO FIT IN FIELD
 3" CLEAR, UNLESS OTHERWISE SPECIFIED ON THE PLANS.
 2'-2" BAR LAP UNLESS OTHERWISE SPECIFIED ON THE PLANS.

PROJECT NAME: ROCHESTER
 PROJECT NUMBER: ER BRF 0162(18)

FILE NAME: zllc332sub.dgn
 PROJECT LEADER: S.E. BURBANK
 DESIGNED BY: J.T. KLEIN

PLOT DATE: 8/19/2013
 DRAWN BY: B.J. MASSE
 CHECKED BY: G.S. GOODRICH
 BR 19 ABUTMENT NO 1 PLAN & ELEVATION SHEET 209 OF 238

