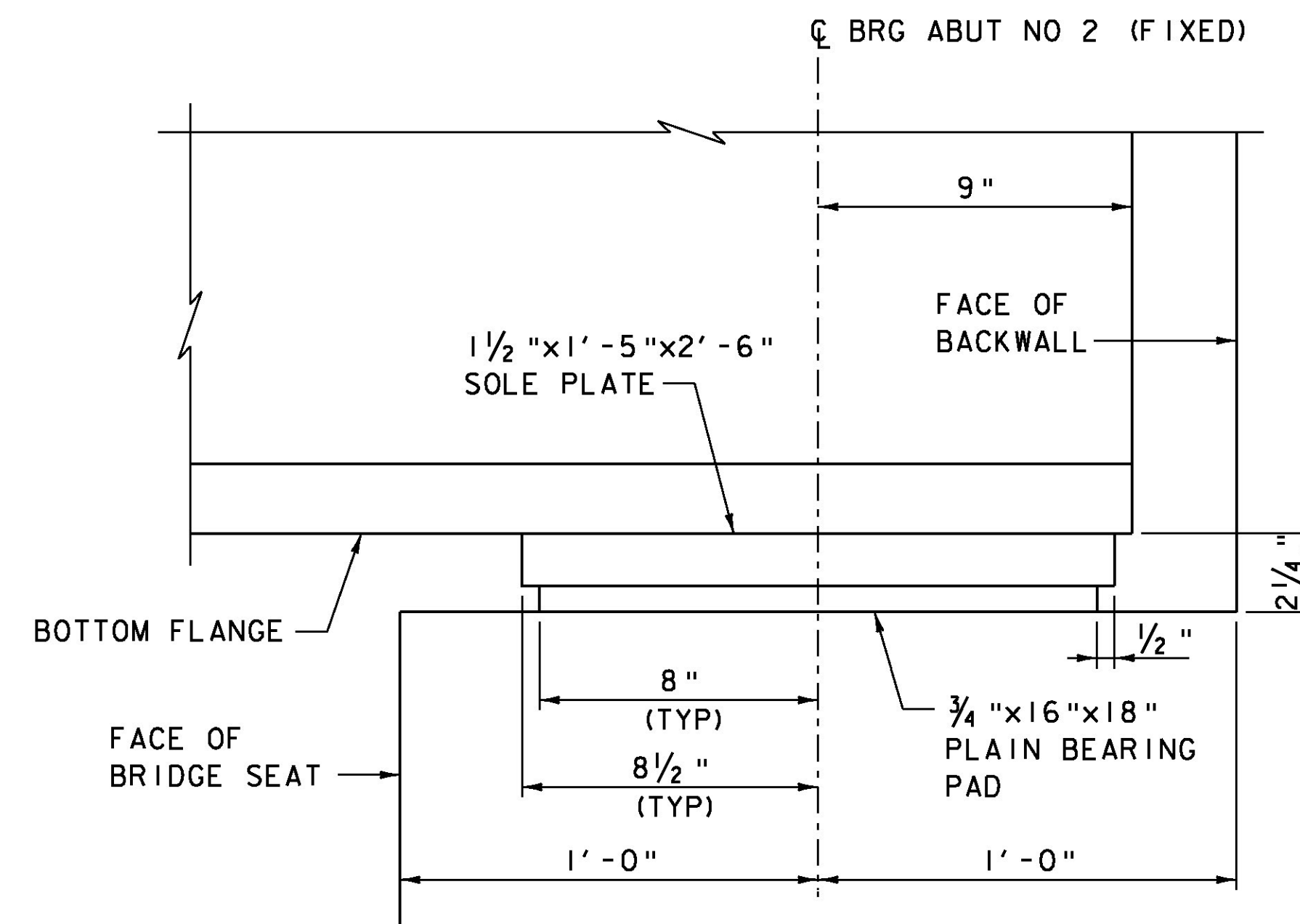
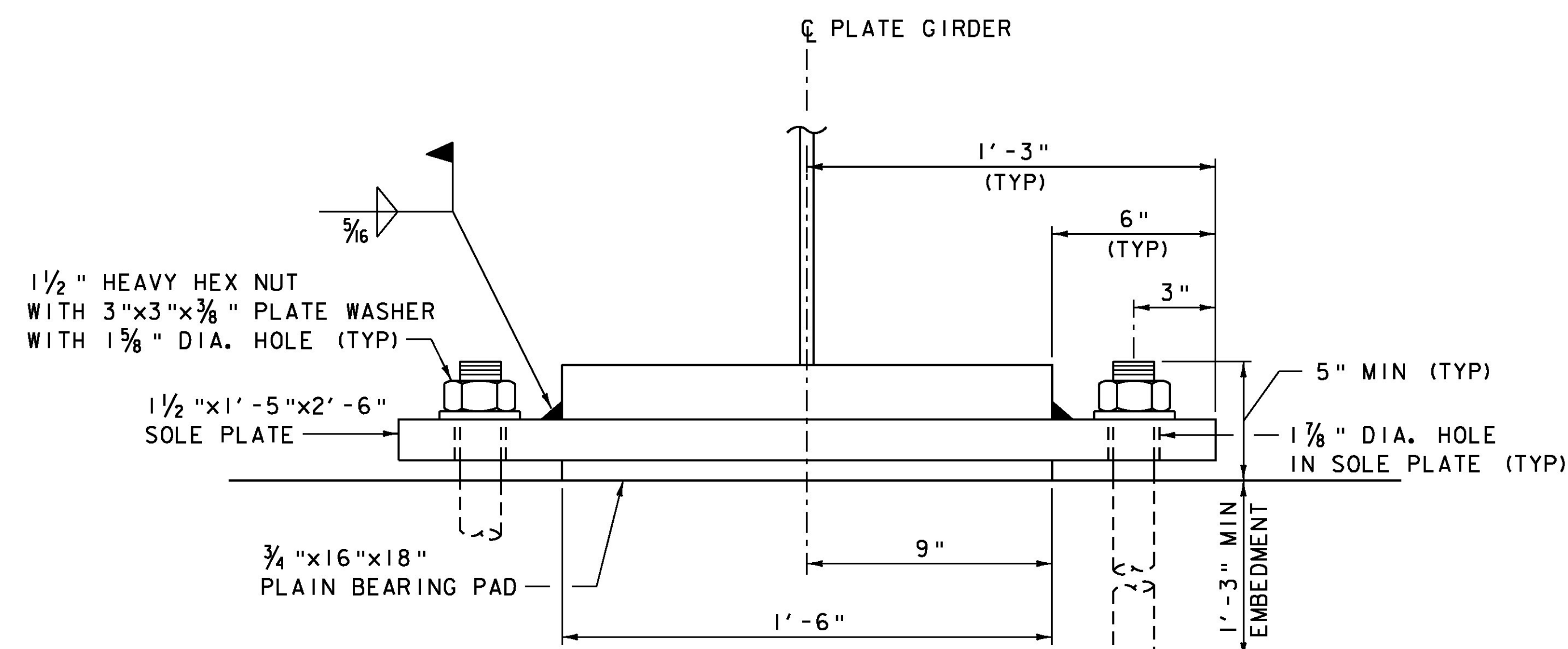


PLAN VIEW
SCALE 3" = 1'-0"



SIDE ELEVATION
(ANCHOR BOLTS NOT SHOWN FOR CLARITY)
SCALE 3" = 1'-0"



FRONT ELEVATION
SCALE 3" = 1'-0"

1 1/2" x 1'-8" MIN SWEDGED ANCHOR BOLT, GALV. WITH 4" THREADS. (THREADS SHALL BE BURRED TO PREVENT NUT REMOVAL).



PROJECT NAME: ROCHESTER
PROJECT NUMBER: ER BRF 0162(18)

FILE NAME: zllc332brg.dgn
PROJECT LEADER: S.E. BURBANK
DESIGNED BY: E.A. FIALA
BR 19 FIXED BEARING DETAILS

PLOT DATE: 8/19/2013
DRAWN BY: B.J. MASSE
CHECKED BY: G.S. GOODRICH
SHEET 207 OF 238