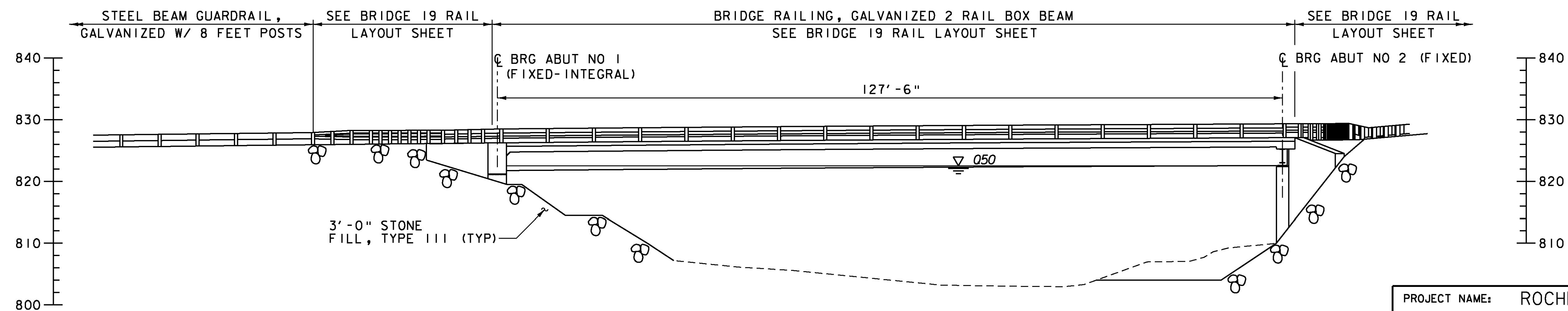


PLAN  
SCALE 1" = 10'-0"



ELEVATION  
SCALE 1" = 10'-0"



PROJECT NAME:	ROCHESTER
PROJECT NUMBER:	ER BRF 0162(18)
FILE NAME:	zllc332pe.dgn
PROJECT LEADER:	S.E. BURBANK
DESIGNED BY:	C.L. CILLEY
BR 19 PLAN AND ELEVATION (BRIDGE)	CHECKED BY: G.S. GOODRICH
	PLOT DATE: 8/19/2013
	DRAWN BY: C.L. CILLEY
	SHEET 203 OF 238