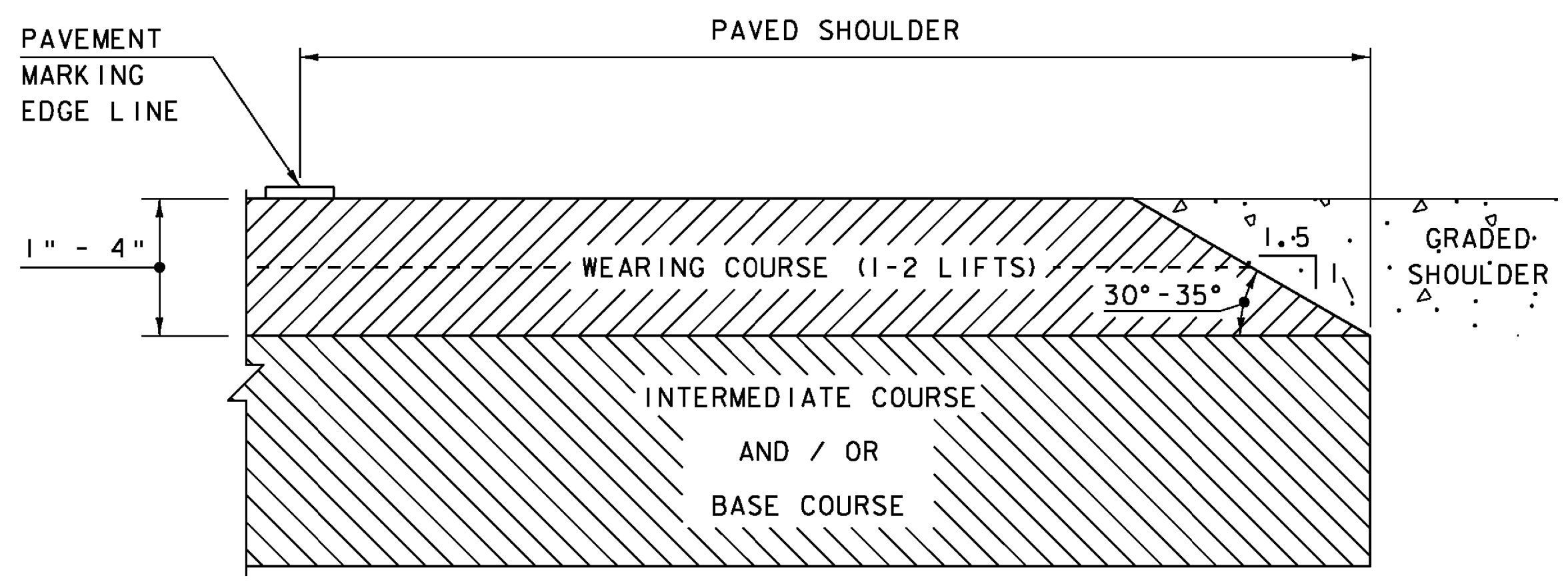


VT 73 TYPICAL ROADWAY SECTION
SCALE: 1/4" = 1'-0"

** - NOTE: SEE BANKING DIAGRAM ON PROFILE SHEET.

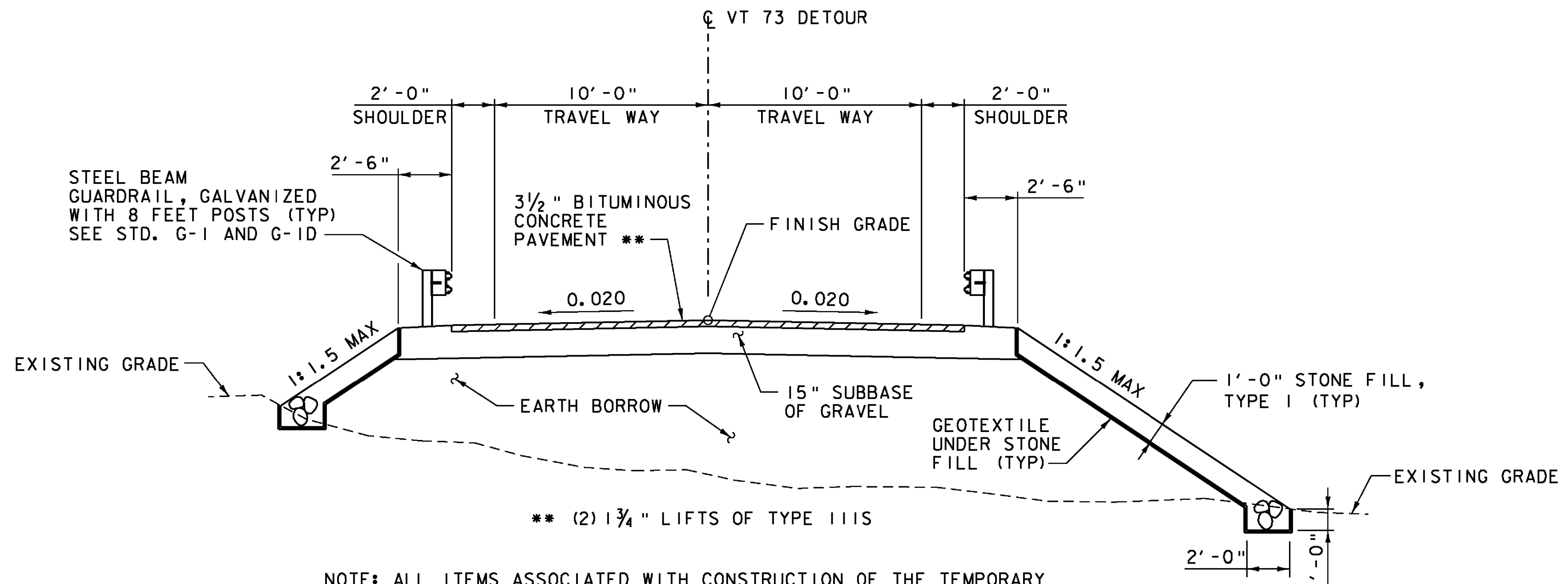
MATERIAL TOLERANCES
(IF USED ON PROJECT)

SURFACE	
PAVEMENT (TOTAL THICKNESS)	+/- 1/4"
SUBBASE	+/- 1"
SAND BORROW	+/- 1"



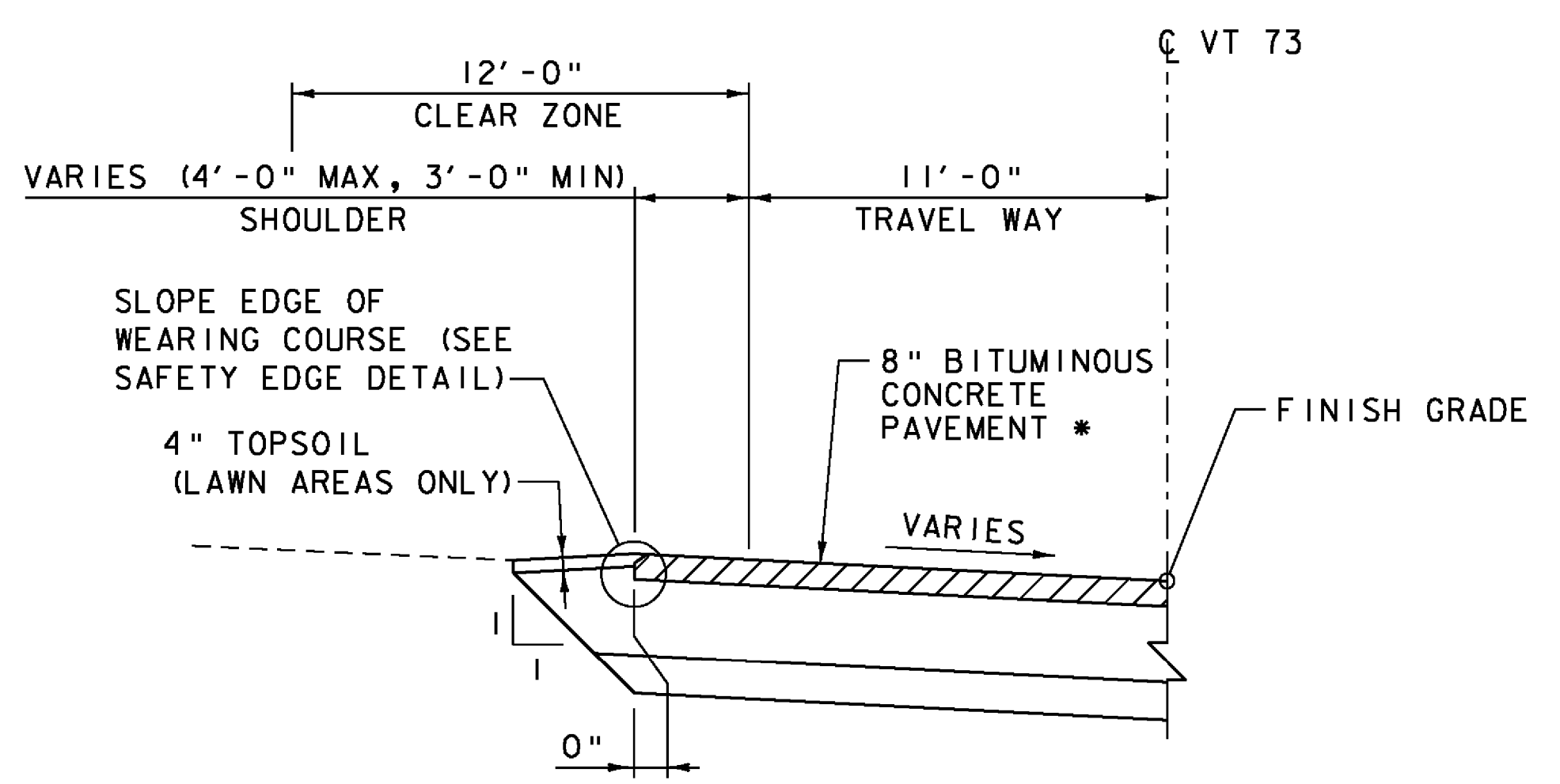
SAFETY EDGE DETAIL
NOT TO SCALE

NOTE: LEVELING COURSE MAY INCLUDE THE "SAFETY EDGE" AT THE CONTRACTOR'S CHOICE.



TYPICAL DETOUR SECTION
SCALE: 1/4" = 1'-0"

NOTE: ALL ITEMS ASSOCIATED WITH CONSTRUCTION OF THE TEMPORARY DETOUR SHALL BE PAID FOR UNDER ITEM 528.11, "TWO-WAY TEMPORARY BRIDGE".



VT 73 TYPICAL ROADWAY CUT SECTION
SCALE: 1/4" = 1'-0"

NOTE: SEE TYPICAL ROADWAY SECTION FOR INFORMATION NOT SHOWN.

PROJECT NAME: ROCHESTER	PLOT DATE: 8/19/2013
PROJECT NUMBER: ER BRF 0162(18)	DRAWN BY: C.L. CILLEY
FILE NAME: zllc332+typ.dgn	CHECKED BY: D.M. PECK
PROJECT LEADER: S.E. BURBANK	SHEET 177 OF 238
DESIGNED BY: G.S. GOODRICH	
BR 19 TYPICAL ROADWAY SECTIONS	

