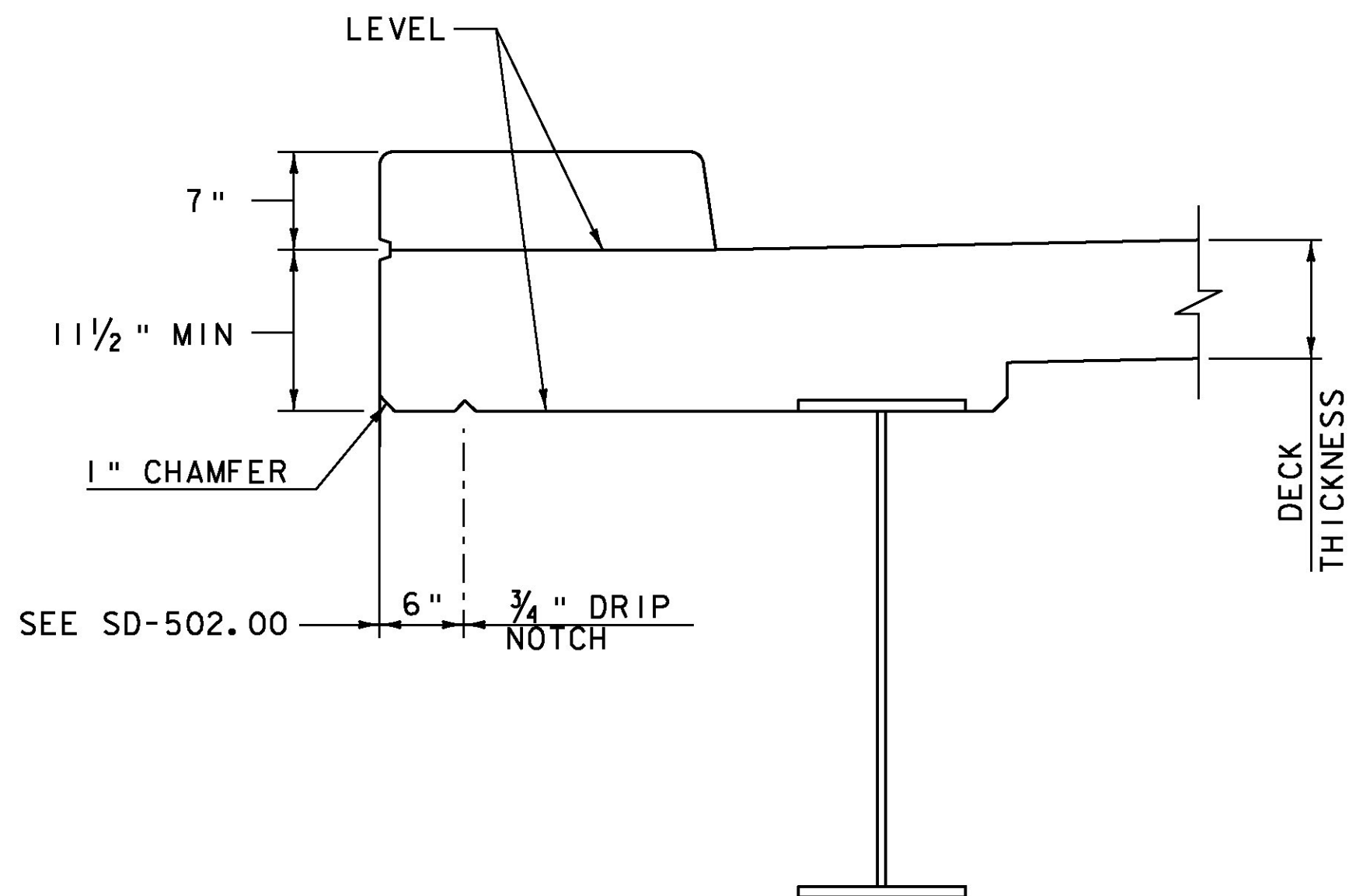


TYPICAL BRIDGE SECTION
SCALE 1/2" = 1'-0"



FASCIA & DRIP NOTCH DETAIL
NOT TO SCALE

PROJECT NAME:	ROCHESTER
PROJECT NUMBER:	ER BRF 0162(18)
FILE NAME:	zllc332+typ.dgn
PROJECT LEADER:	S.E. BURBANK
DESIGNED BY:	S.E. BURBANK
BR 19 TYPICAL BRIDGE SECTION	
PLOT DATE:	8/19/2013
DRAWN BY:	B.J. MASSE
CHECKED BY:	G.S. GOODRICH
SHEET	176 OF 238

