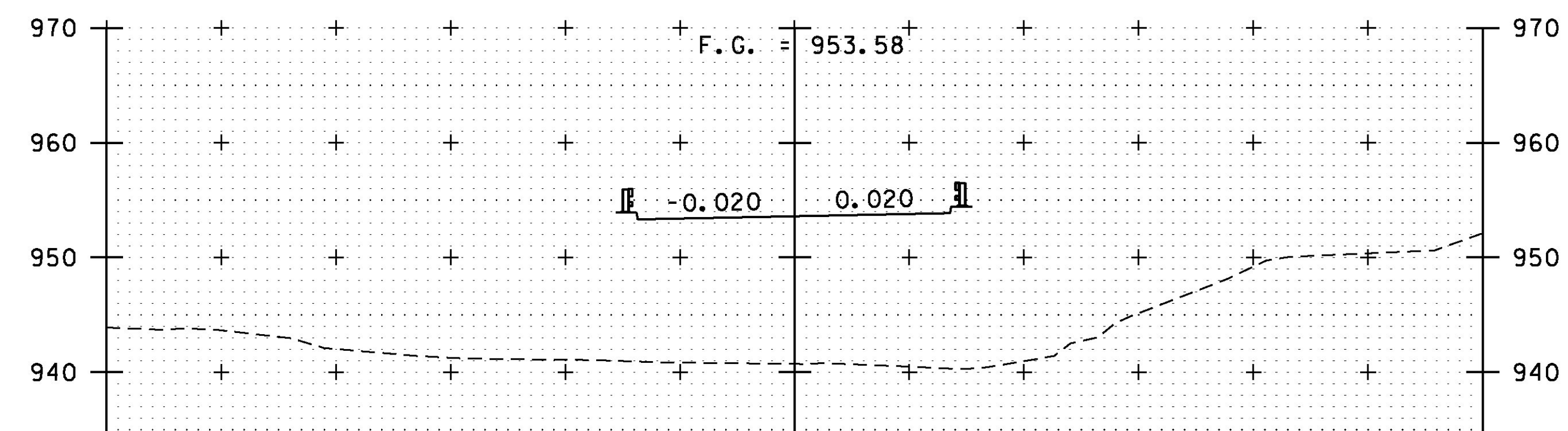
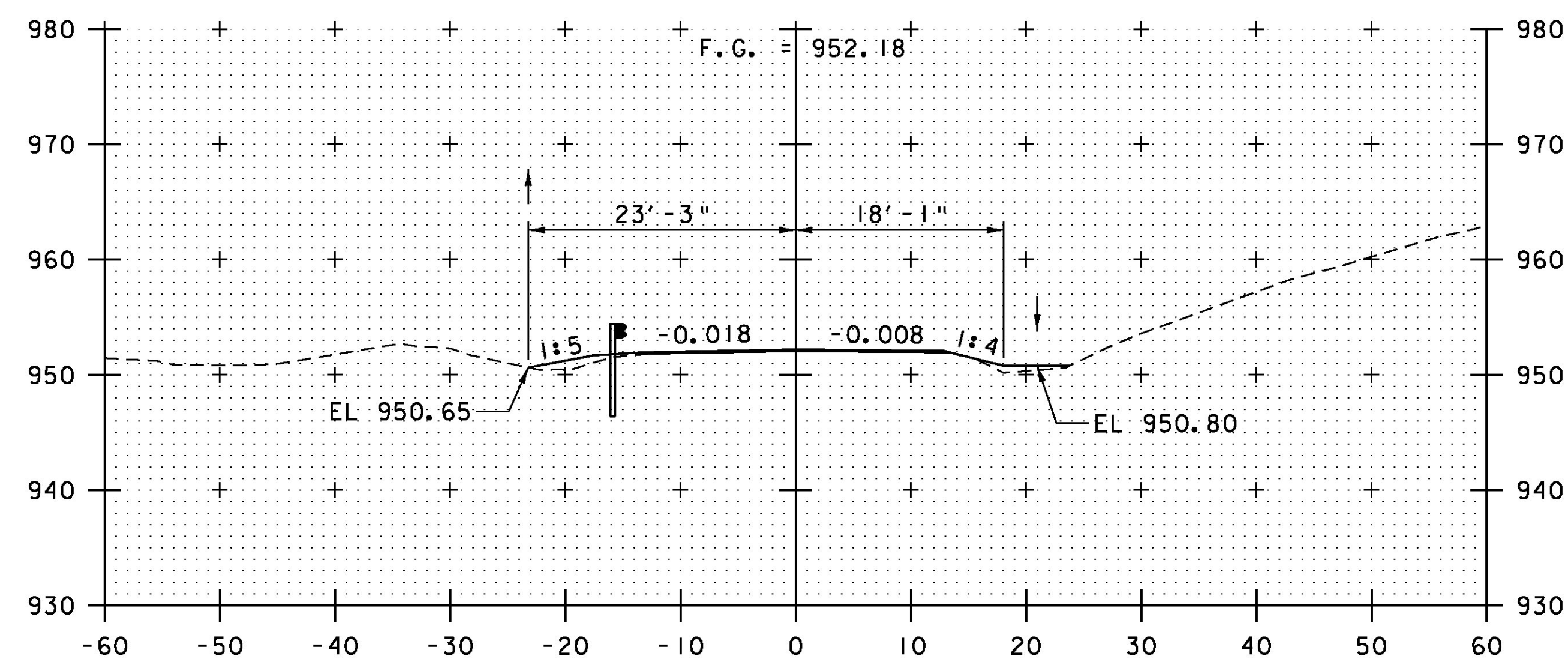


333+00



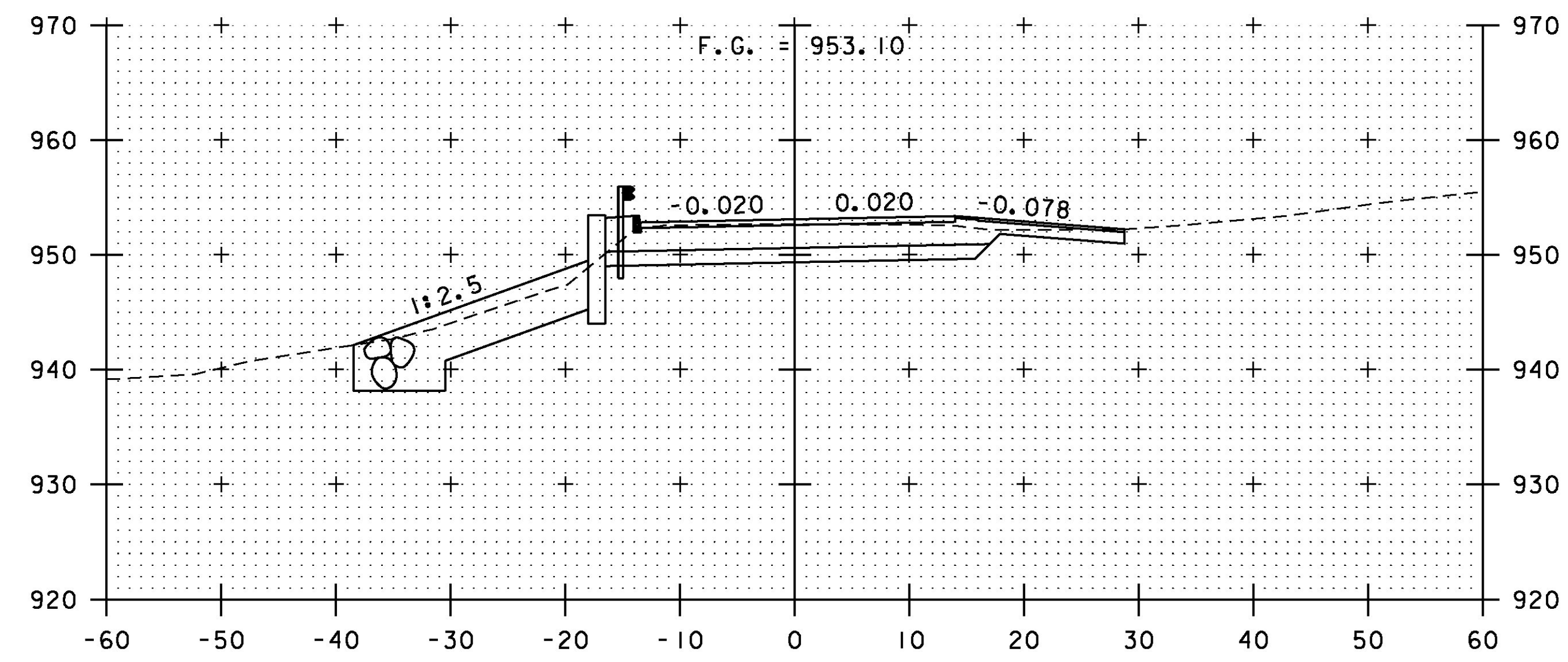
334+00

BEGIN BRIDGE
STA 333+71.41

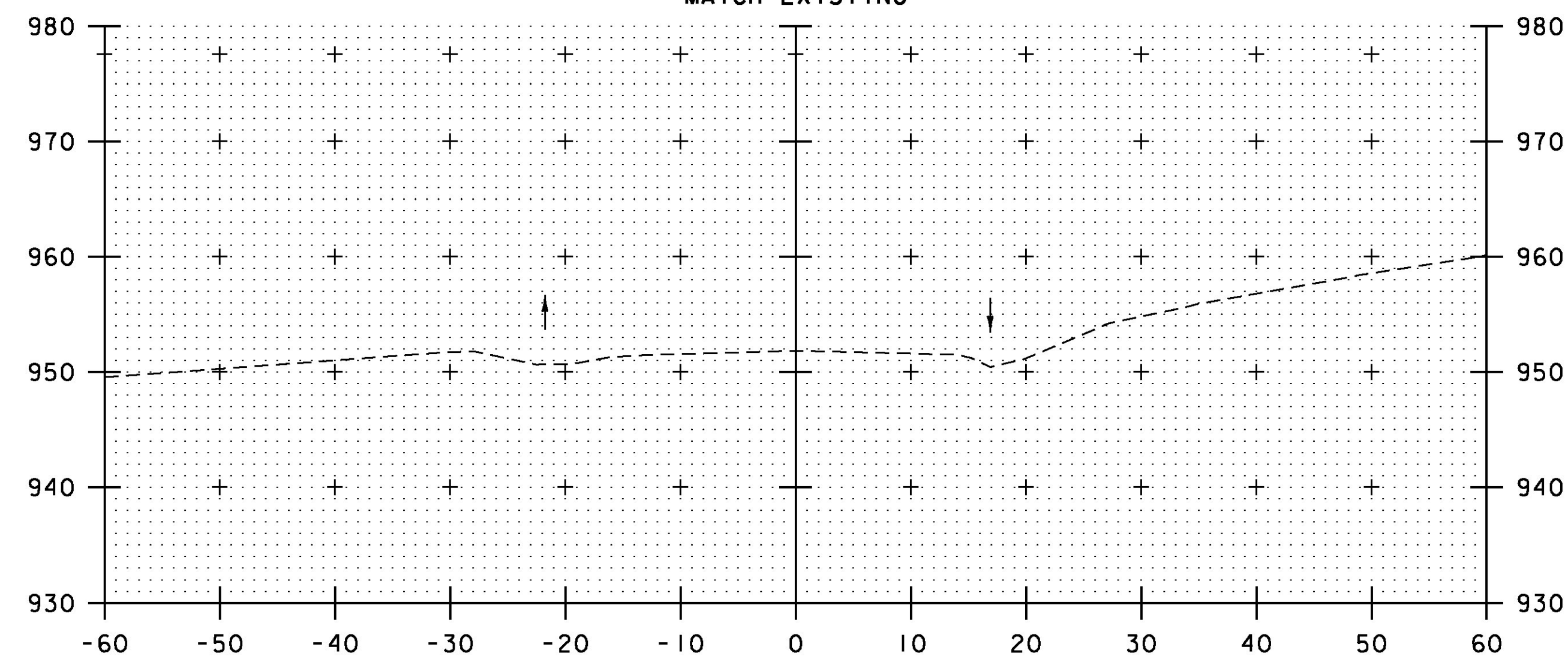


332+50

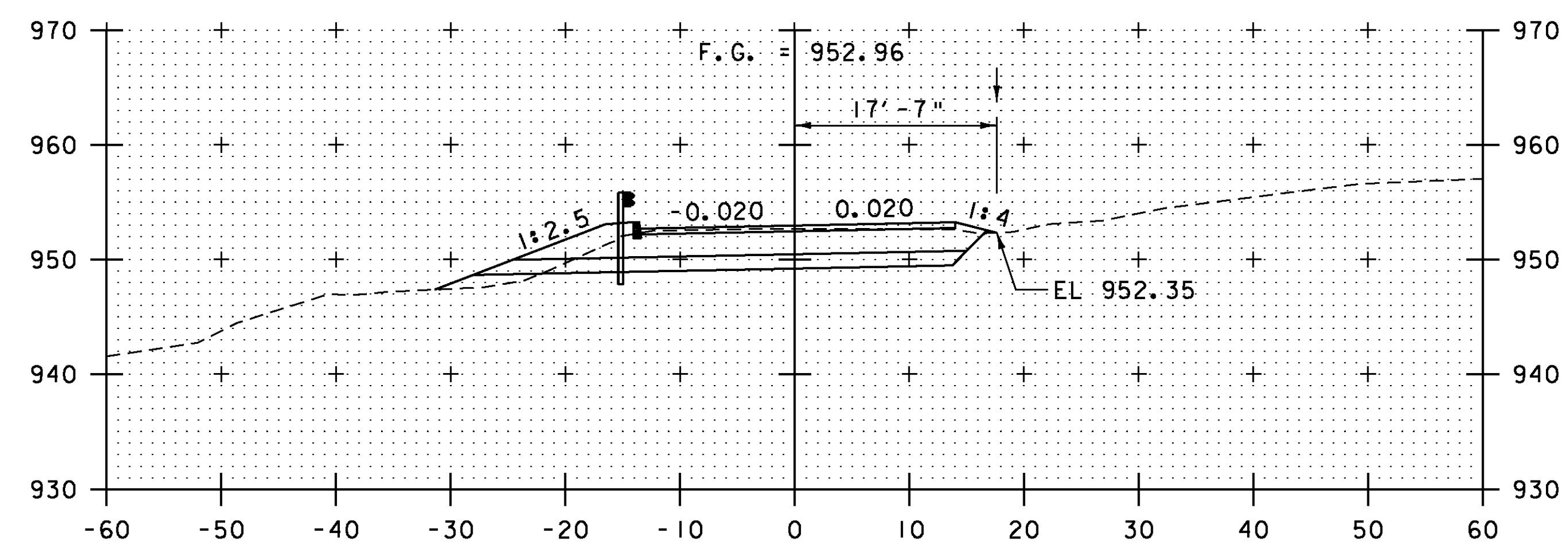
BEGIN APPROACH
STA 332+30.00
MATCH EXISTING



333+64 DRIVE, RT



332+00



333+50

BEGIN PROJECT
STA 333+20.00

VT 73 CROSS SECTIONS
STA 332+00 TO STA 334+00



PROJECT NAME: ROCHESTER	PLOT DATE: 8/19/2013
PROJECT NUMBER: BRF 0162(17)	DRAWN BY: C.L. CILLEY
FILE NAME: z85e035xsl.dgn	CHECKED BY: G.S. GOODRICH
PROJECT LEADER: G.S. GOODRICH	SHEET 162 OF 238
DESIGNED BY: C.L. CILLEY	
BR 16 VT 73 CROSS SECTIONS (1 OF 2)	