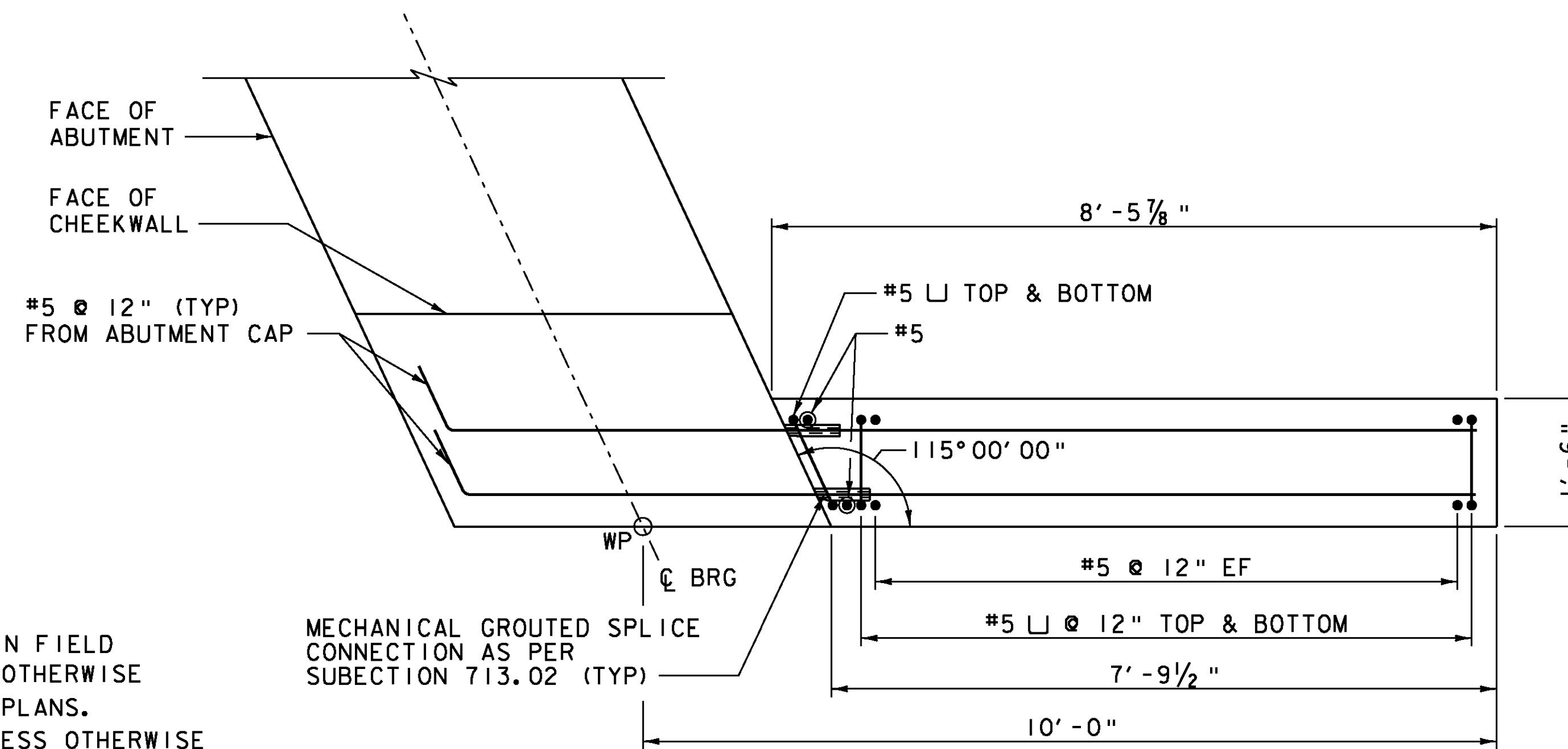
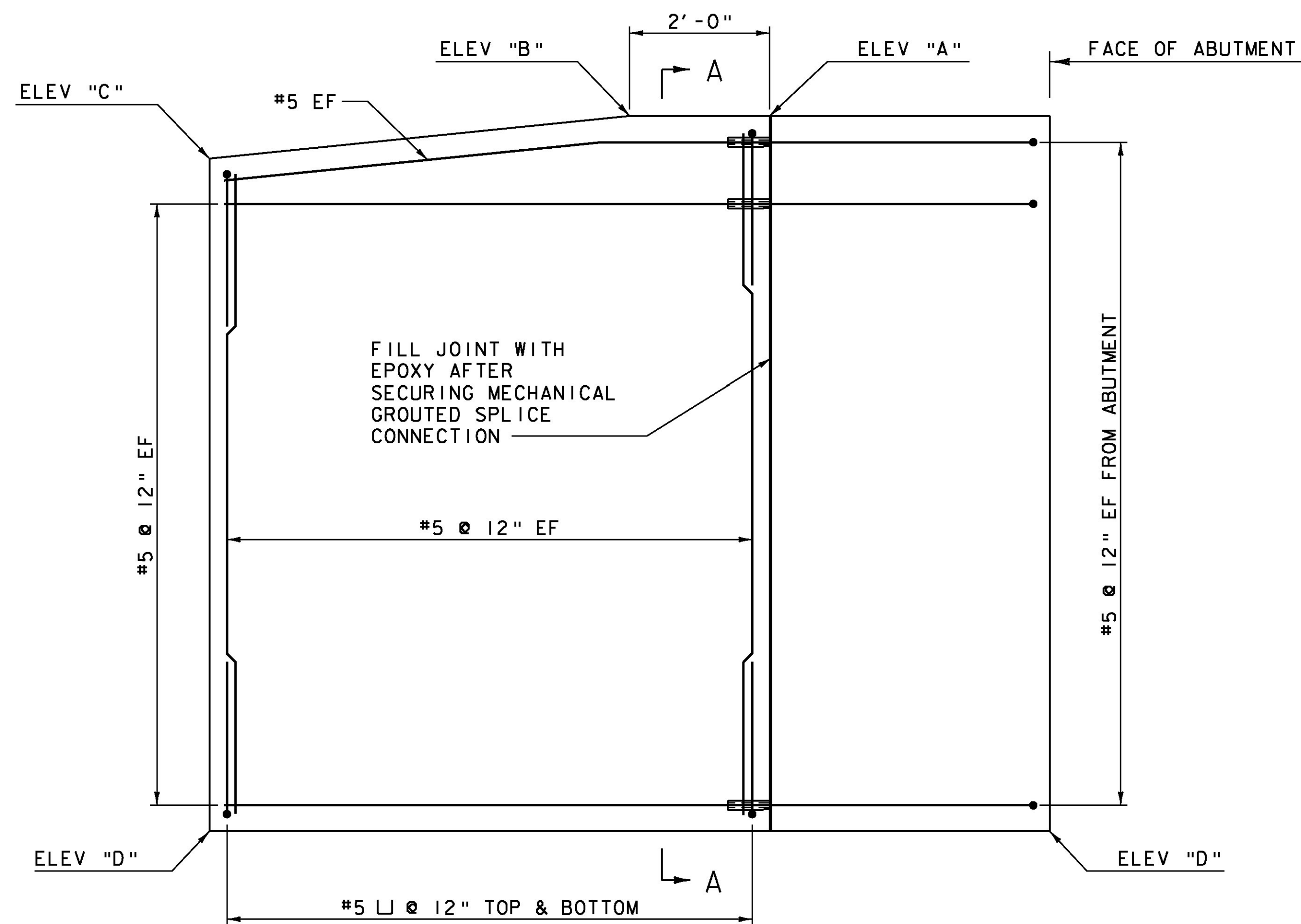


WINGWALL NO 2 & 3 PLAN
SCALE 3/4" = 1'-0"

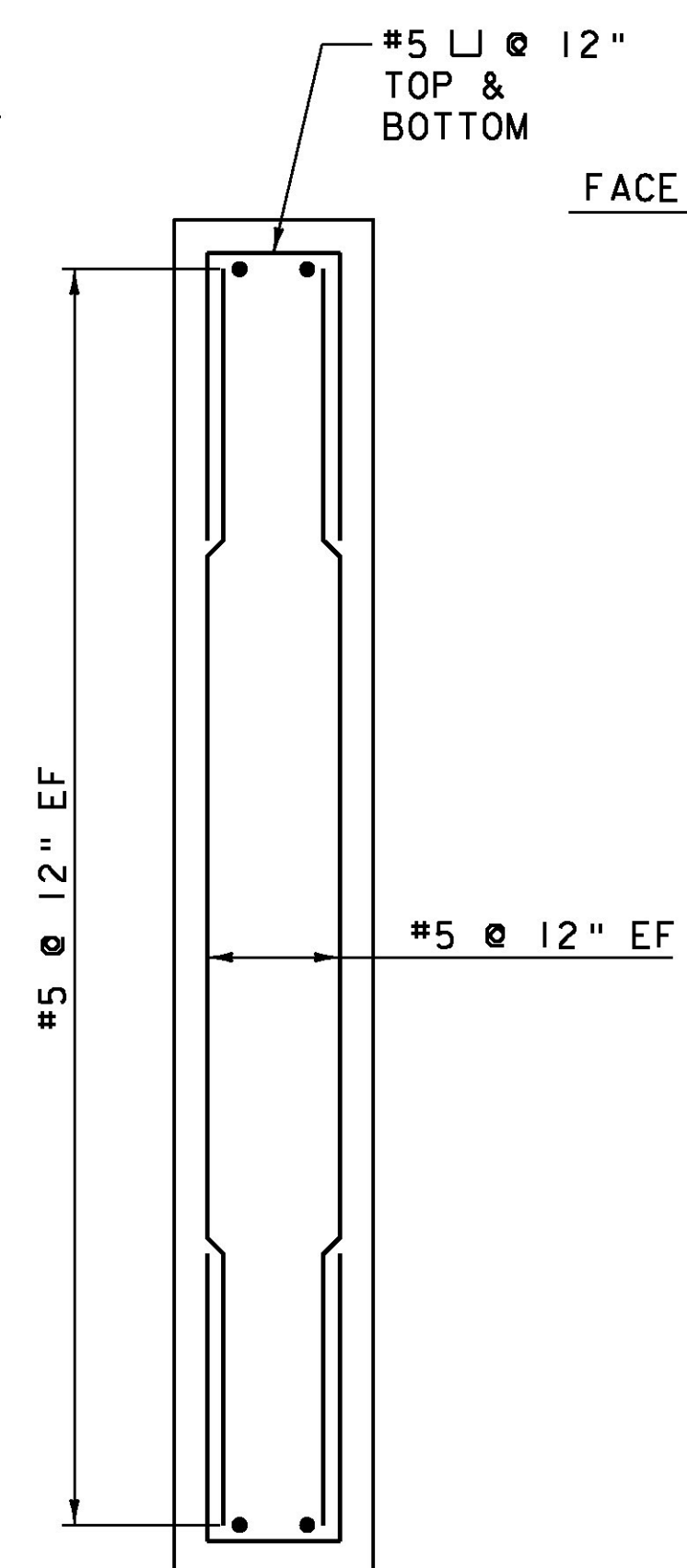


WINGWALL NO 1 & 4 PLAN
SCALE 3/4" = 1'-0"

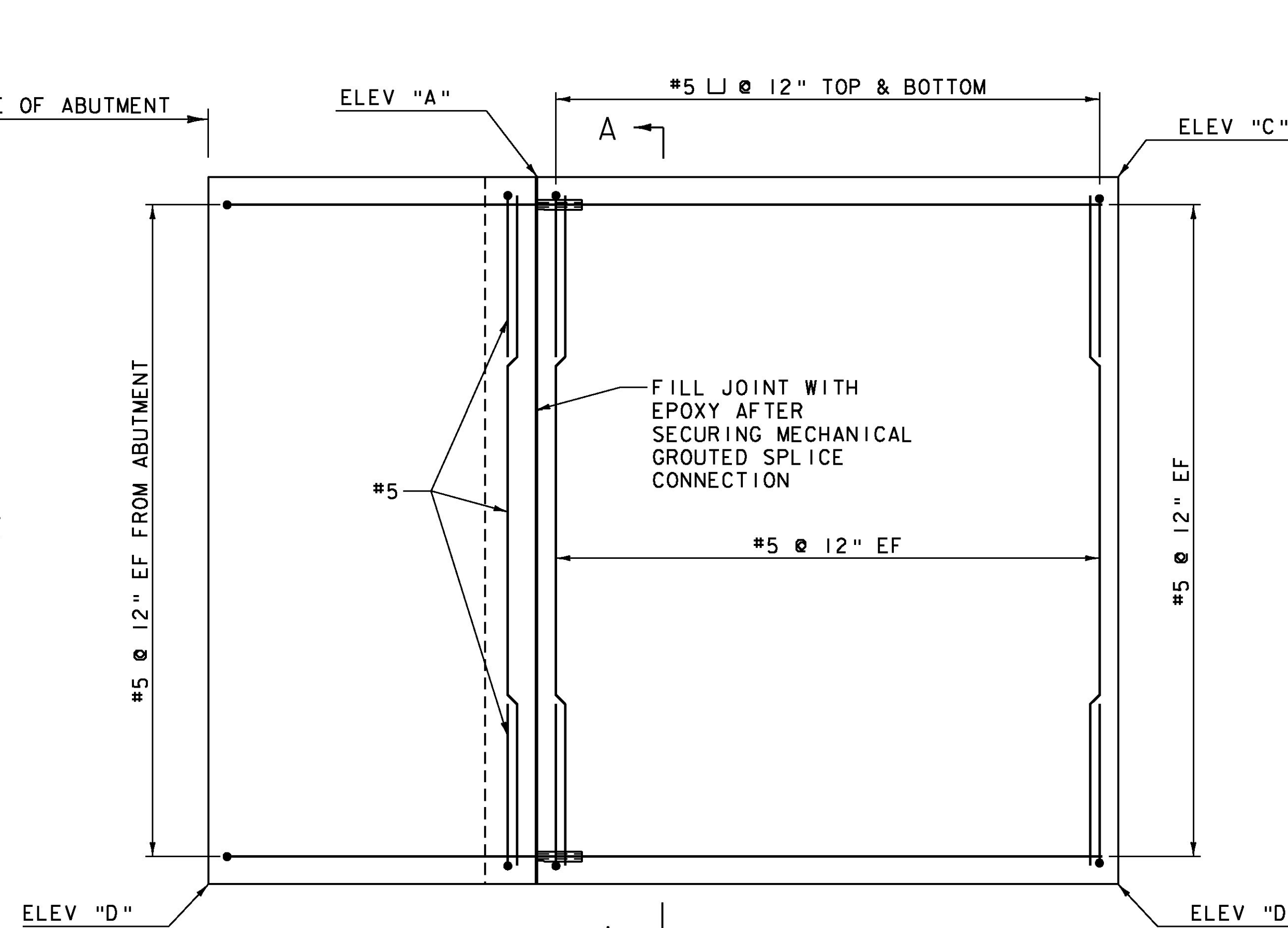
NOTE:
 NF = NEAR FACE
 FF = FAR FACE
 EF = EACH FACE
 ▲ = CUT TO FIT IN FIELD
 3" CLEAR, UNLESS OTHERWISE SPECIFIED ON THE PLANS.
 2'-2" BAR LAP UNLESS OTHERWISE SPECIFIED ON THE PLANS.



WINGWALL NO 2 & 3 ELEVATION
SCALE 3/4" = 1'-0"



SECTION A-A
SCALE 3/4" = 1'-0"



WINGWALL NO 1 & 4 ELEVATION
SCALE 3/4" = 1'-0"

	WW 1	WW2	WW3	WW4
ELEV "A"	953.49	954.21	954.39	955.22
ELEV "B"	N/A	954.21	954.39	N/A
ELEV "C"	953.49	953.60	951.92	955.22
ELEV "D"	944.00	944.00	945.00	945.00



PROJECT NAME: ROCHESTER	PLOT DATE: 8/19/2013
PROJECT NUMBER: BRF 0162(17)	DRAWN BY: B.J. MASSE
FILE NAME: z85e035sub.dgn	CHECKED BY: L.S. CHERVINCKY
PROJECT LEADER: G.S. GOODRICH	SHEET 160 OF 238
DESIGNED BY: E.A. FIALA	
BR 16 WINGWALL DETAILS	