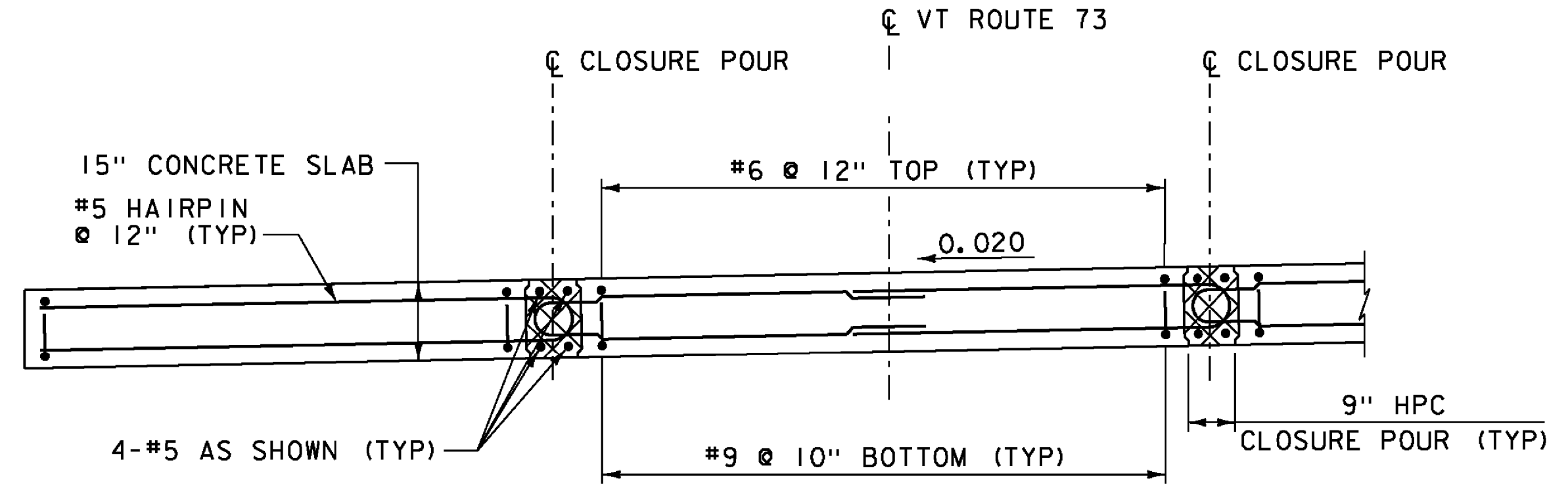
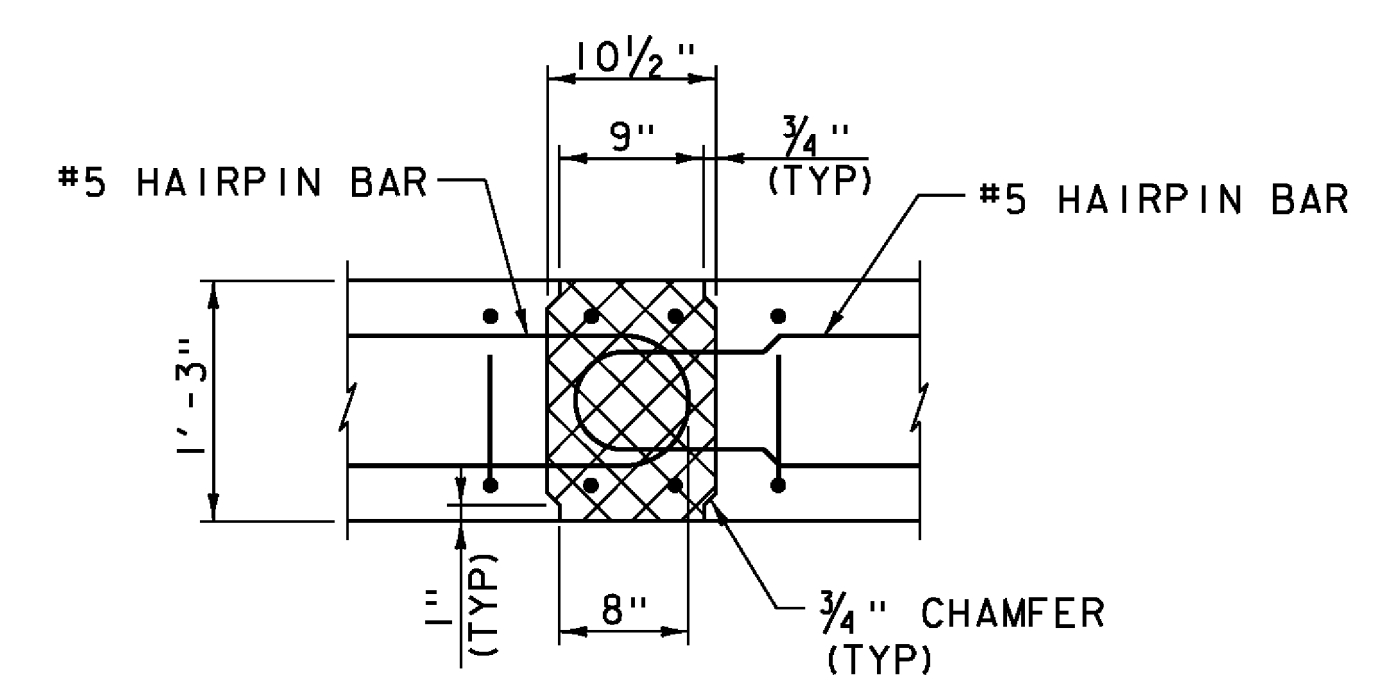


SECTION A-A
SCALE 1/2" = 1'-0"



SECTION B-B
SCALE 1/2" = 1'-0"



JOINT DETAIL
SCALE 1" = 1'-0"

NOTES:

- LIFTING POINTS IN APPROACH SLABS TO BE LOCATED BY FABRICATOR.
- 4" DIA. SLEEVES FOR APPROACH SLAB DOWELS ARE LOCATED TO AVOID JOINTS IN PRECAST CURTAIN WALLS. SEE BR 16 CURTAIN WALL SHEET (1 OF 2).
- CONTRACTOR SHALL PROVIDE METHOD AND DETAILS FOR ESTABLISHING CONTINUOUS CONTACT WITH SUBGRADE AND SUPPORT FOR PRECAST APPROACH SLABS WITH SHOP DRAWINGS.

NOTE:
 NF = NEAR FACE
 FF = FAR FACE
 EF = EACH FACE
 ▲ = CUT TO FIT IN FIELD
 3" CLEAR, UNLESS OTHERWISE SPECIFIED ON THE PLANS.
 2'-2" BAR LAP UNLESS OTHERWISE SPECIFIED ON THE PLANS.

APPROACH SLAB NO. 1 PLAN
SCALE 1/2" = 1'-0"

- LIMITS OF HPC CLOSURE POUR

REVISION	DESCRIPTION	DATE
△	ELEVATION CHANGES	6/19/2014
PROJECT NAME: ROCHESTER		
PROJECT NUMBER: BRF 0162(17)		
FILE NAME: z85e035slab.dgn		PLOT DATE: 6/18/2014
PROJECT LEADER: G.S. GOODRICH		DRAWN BY: E.A. FIALA
DESIGNED BY: E.A. FIALA		CHECKED BY: L.S. CHERVINCKY
BR 16 PRECAST APPROACH SLAB (1 OF 2)		SHEET 154 OF 238

