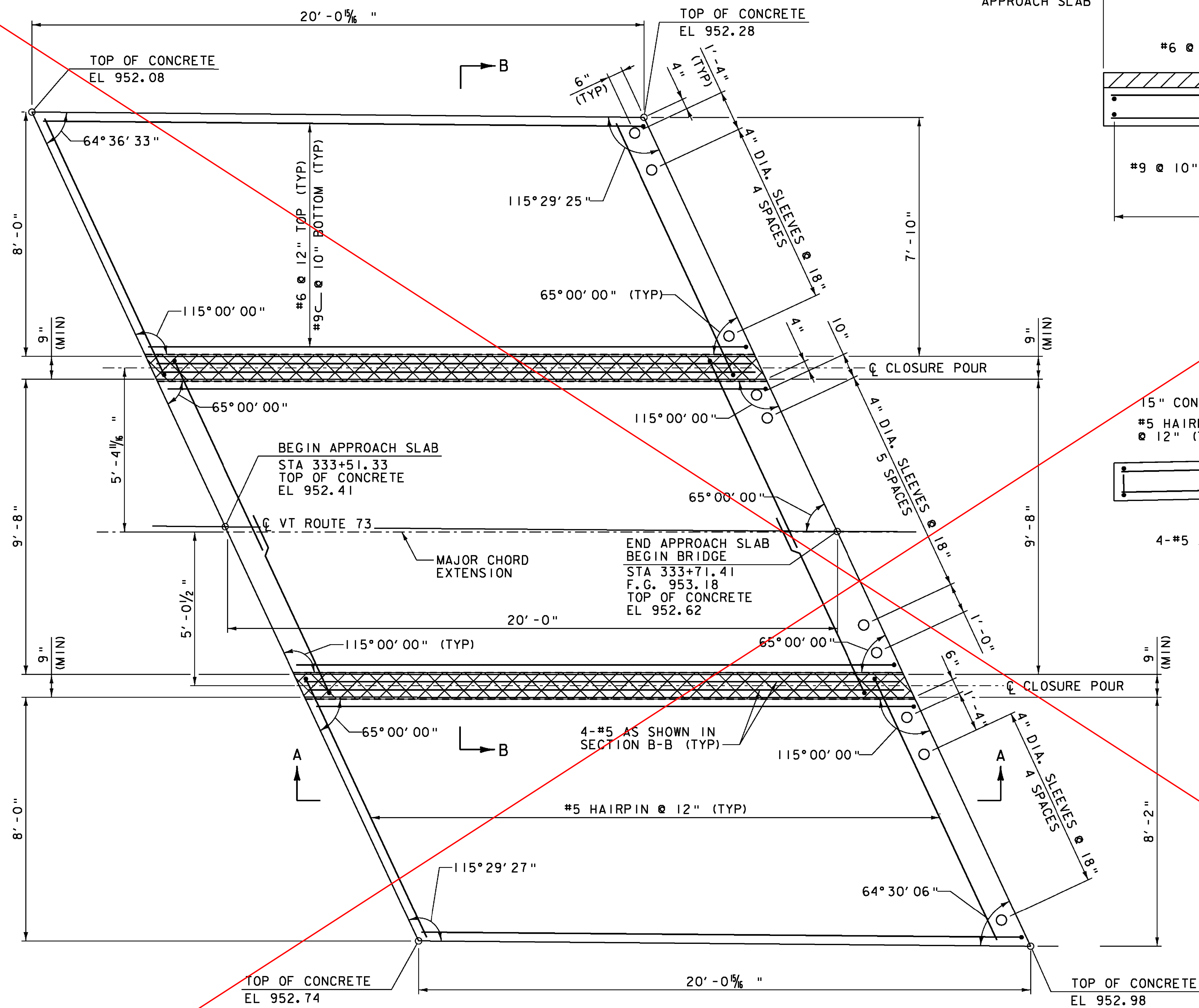
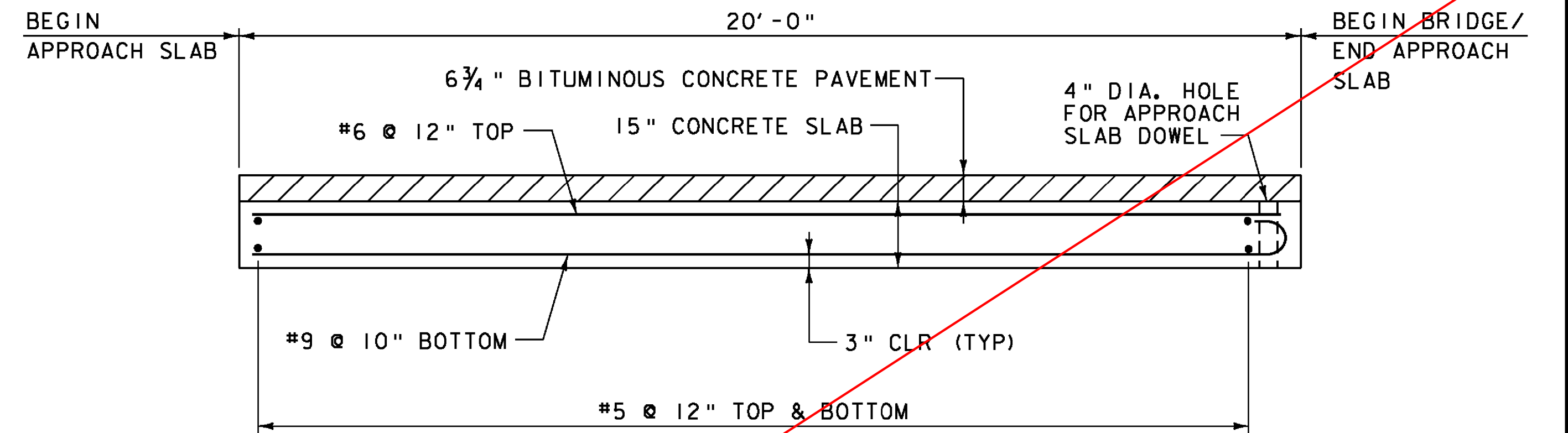


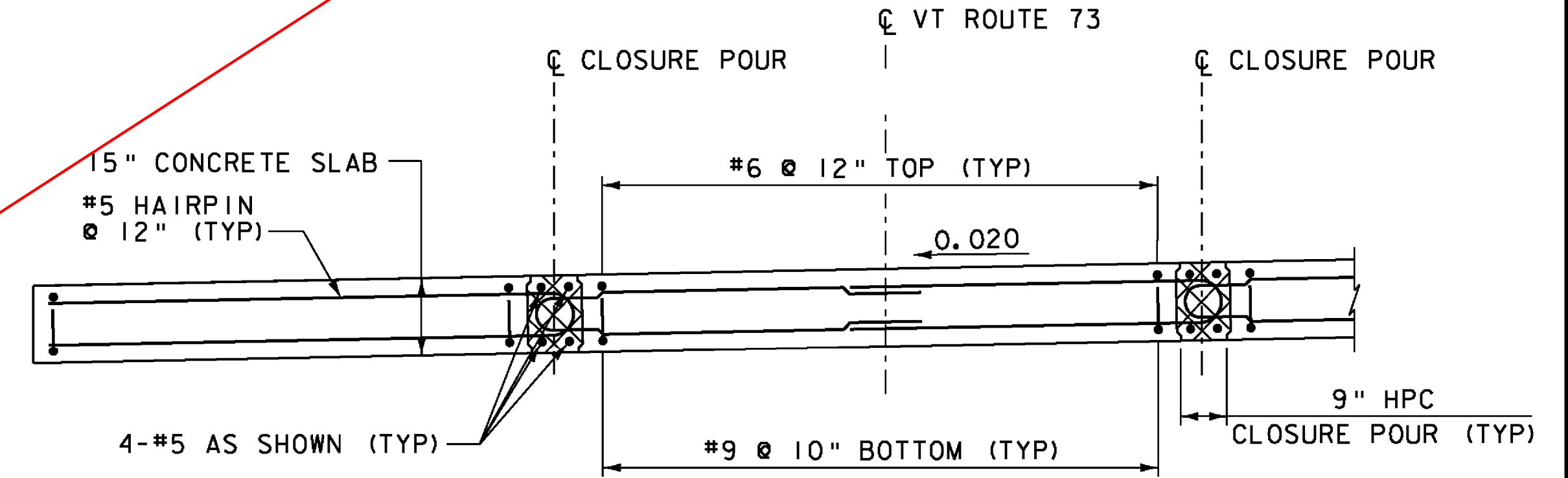
SEE REVISED SHEET 154A



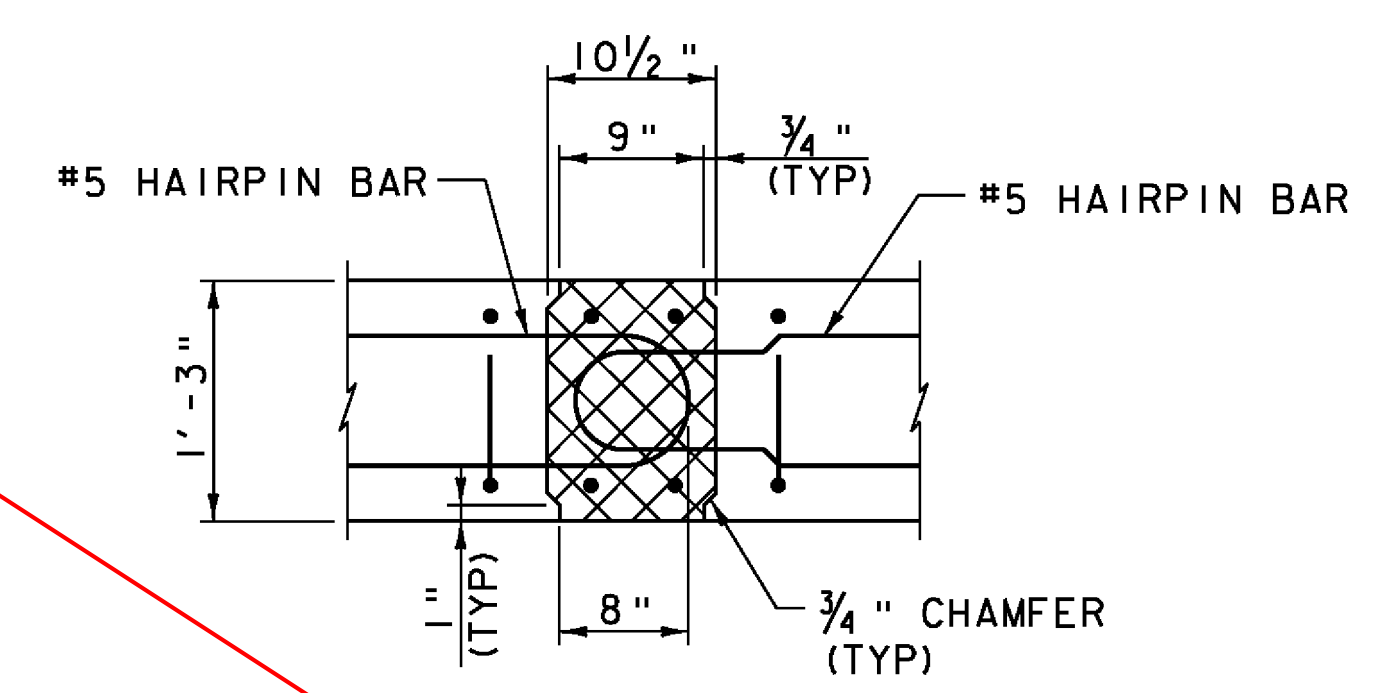
APPROACH SLAB NO. 1 PLAN  
SCALE 1/2" = 1'-0"



SECTION A-A  
SCALE 1/2" = 1'-0"



SECTION B-B  
SCALE 1/2" = 1'-0"



JOINT DETAIL  
SCALE 1" = 1'-0"

**NOTE:**  
NF = NEAR FACE  
FF = FAR FACE  
EF = EACH FACE  
▲ = CUT TO FIT IN FIELD  
3" CLEAR, UNLESS OTHERWISE SPECIFIED ON THE PLANS.  
2'-2" BAR LAP UNLESS OTHERWISE SPECIFIED ON THE PLANS.

- LIMITS OF HPC CLOSURE POUR

- NOTES:**
- LIFTING POINTS IN APPROACH SLABS TO BE LOCATED BY FABRICATOR.
  - 4" DIA. SLEEVES FOR APPROACH SLAB DOWELS ARE LOCATED TO AVOID JOINTS IN PRECAST CURTAIN WALLS. SEE BR 16 CURTAIN WALL SHEET (1 OF 2).
  - CONTRACTOR SHALL PROVIDE METHOD AND DETAILS FOR ESTABLISHING CONTINUOUS CONTACT WITH SUBGRADE AND SUPPORT FOR PRECAST APPROACH SLABS WITH SHOP DRAWINGS.

PROJECT NAME:	ROCHESTER	FILE NAME:	z85e035slab.dgn	PLOT DATE:	8/19/2013
PROJECT NUMBER:	BRF 0162(17)	PROJECT LEADER:	G.S. GOODRICH	DRAWN BY:	E.A. FIALA
		DESIGNED BY:	E.A. FIALA	CHECKED BY:	L.S. CHERVINSKY
		BR 16 PRECAST APPROACH SLAB (1 OF 2)		SHEET	154 OF 238

