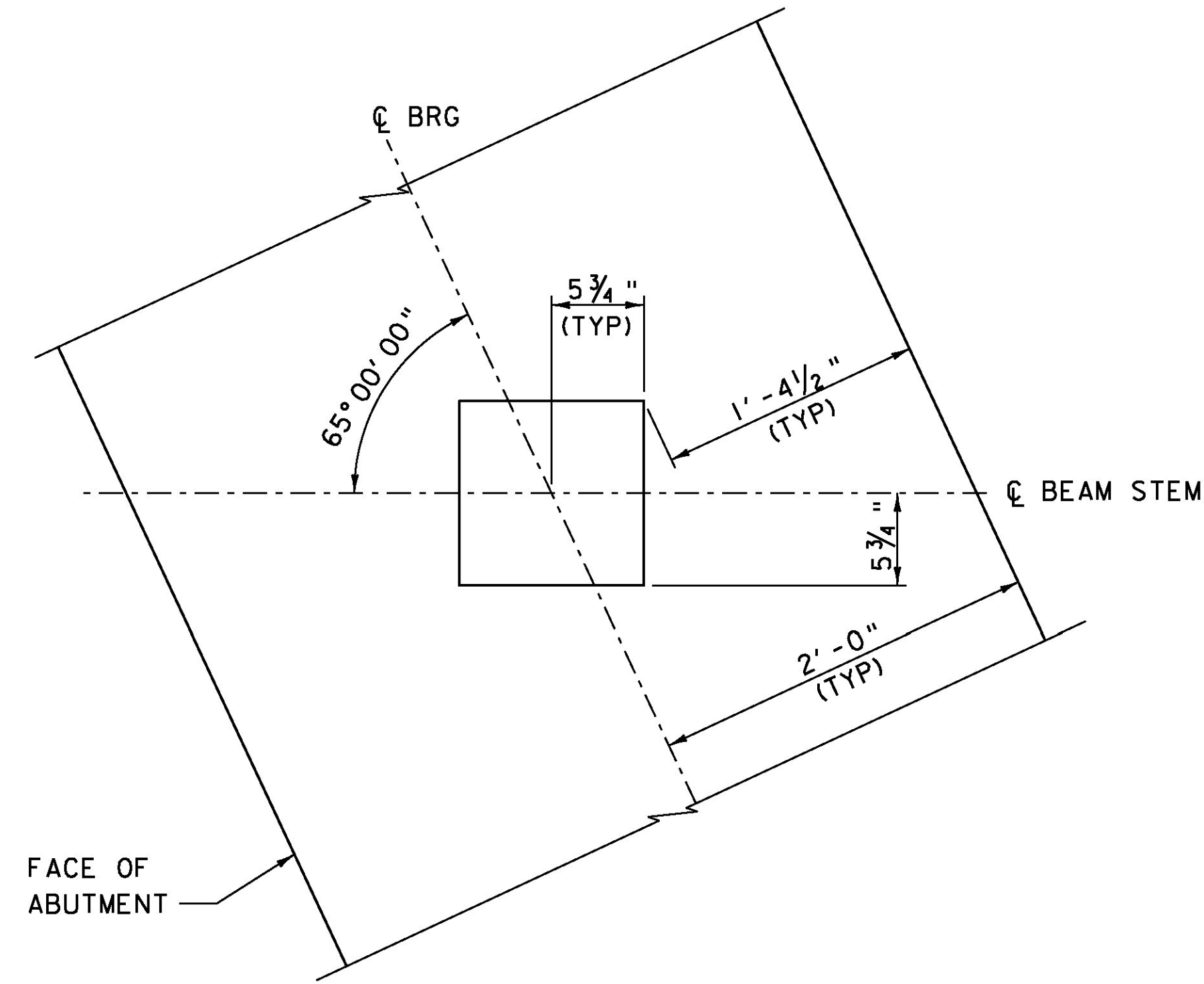


- * 2 - 1/8" EXTERIOR LAYERS OF ELASTOMER
- 3 - 1/2" INTERIOR LAYERS OF ELASTOMER
- 4 - 1/16" STEEL REINFORCING PLATES

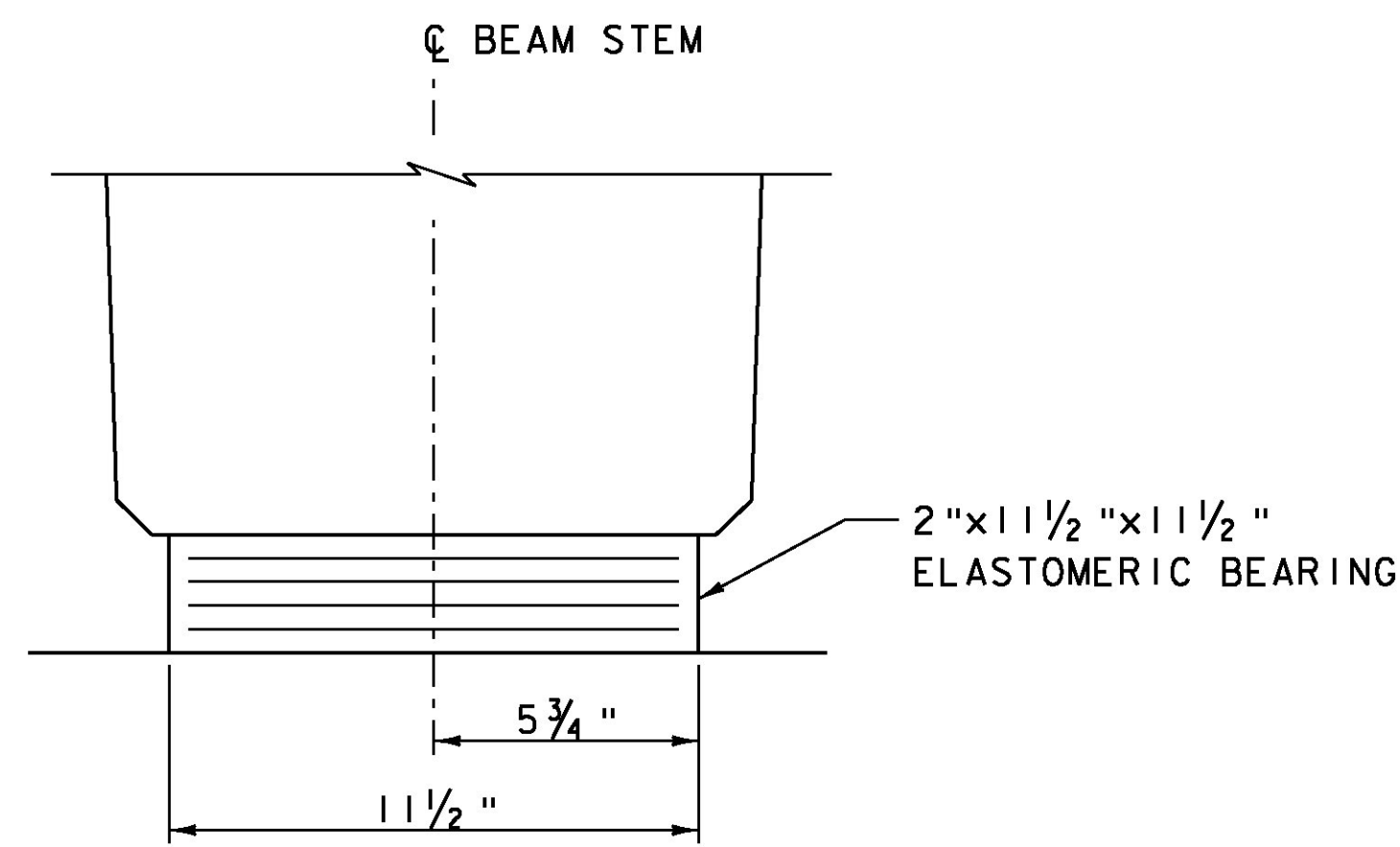
ELASTOMERIC BEARING DETAIL
SCALE 3" = 1'-0"



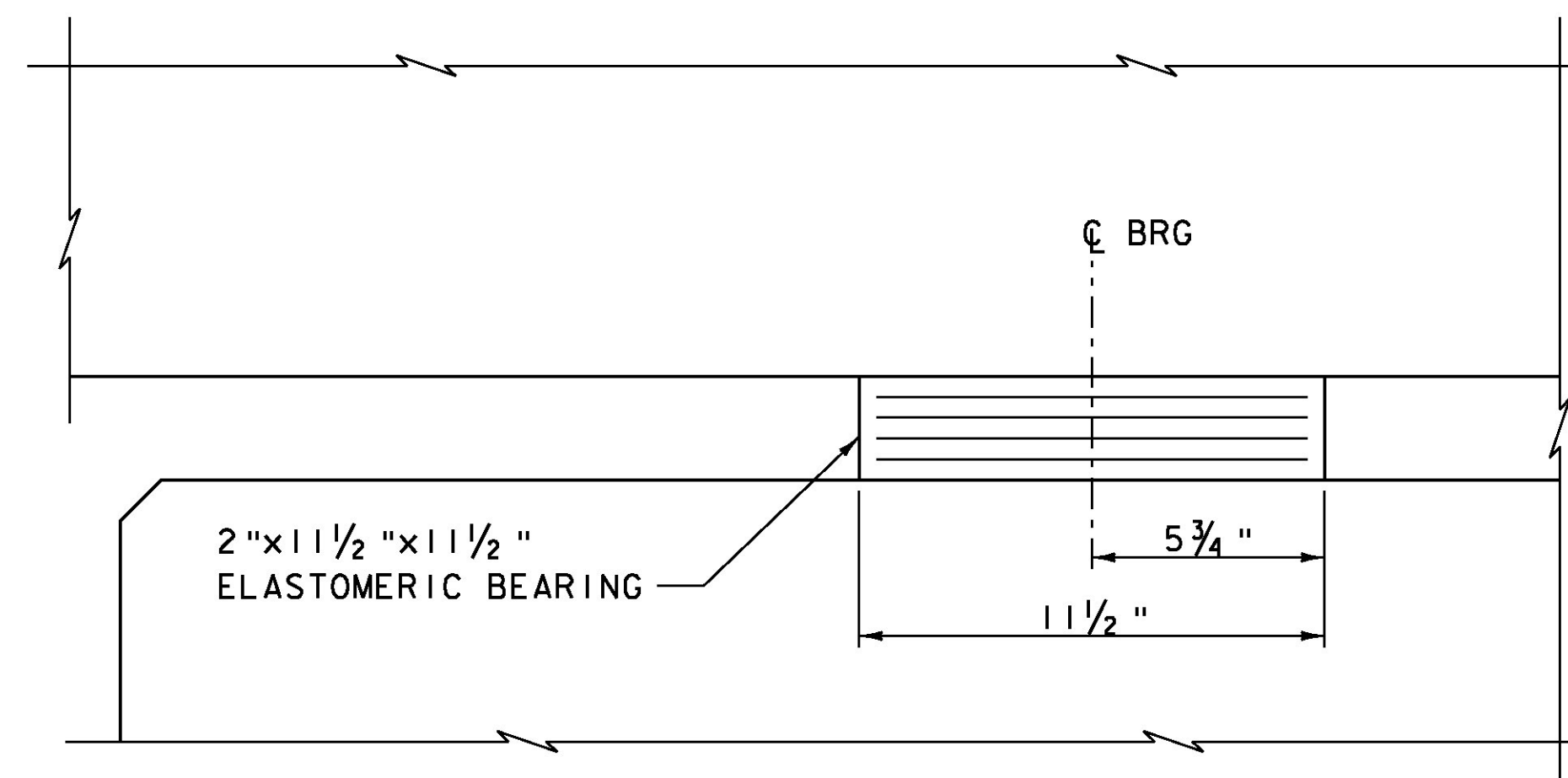
PLAN
SCALE 1 1/2" = 1'-0"

BEARING NOTES

1. BEARINGS SHALL CONFORM TO THE APPLICABLE SUBSECTIONS OF SECTIONS 531 AND 731.
2. ALL REINFORCEMENT BETWEEN LAYERS OF ELASTOMER SHALL BE STEEL MEETING THE REQUIREMENTS OF SUBSECTION 714.02. ALL INTERNAL STEEL PLATES SHALL BE SAND BLASTED AND FREE OF COATINGS, RUST, AND MILL SCALE. THE PLATES SHALL BE FREE OF SHARP EDGES AND BURRS.
3. STEEL REINFORCED ELASTOMERIC BEARINGS SHALL HAVE A MINIMUM 1/8" EDGE SEAL OF ELASTOMER INTEGRAL WITH BEARING OVER ALL INTERNAL PLATES.
4. THE ELASTOMER SHALL BE GRADE 60 SHORE A DUROMETER.
5. THE ELASTOMER SHALL MEET THE REQUIREMENTS OF LOW TEMPERATURE ZONE D, GRADE 4.
6. THE CONTRACTOR IS ADVISED TO HAVE A MINIMUM OF 16 - 1/4" x 12 1/2" x 12 1/2" GALVANIZED STEEL SHIMS AVAILABLE FOR USE FOR ELEVATION ADJUSTMENTS UPON THE SETTING OF THE SUPERSTRUCTURE UNITS. THE SHIMS SHALL BE FABRICATED ACCORDING TO SECTION 531 AND SHALL BE INCLUDED UNDER ITEM 531.17, "BEARING DEVICE ASSEMBLY, STEEL REINFORCED ELASTOMERIC PAD".



FRONT ELEVATION



SIDE ELEVATION

ELASTOMERIC BEARING DETAILS
SCALE 3" = 1'-0"

PROJECT NAME: ROCHESTER	PLOT DATE: 8/19/2013
PROJECT NUMBER: BRF 0162(17)	DRAWN BY: B.J. MASSE
FILE NAME: z85e035brg.dgn	CHECKED BY: E.A. FIALA
PROJECT LEADER: G.S. GOODRICH	SHEET 153 OF 238
DESIGNED BY: J.J. WESTCOTT	
BR 16 BEARING DETAILS	