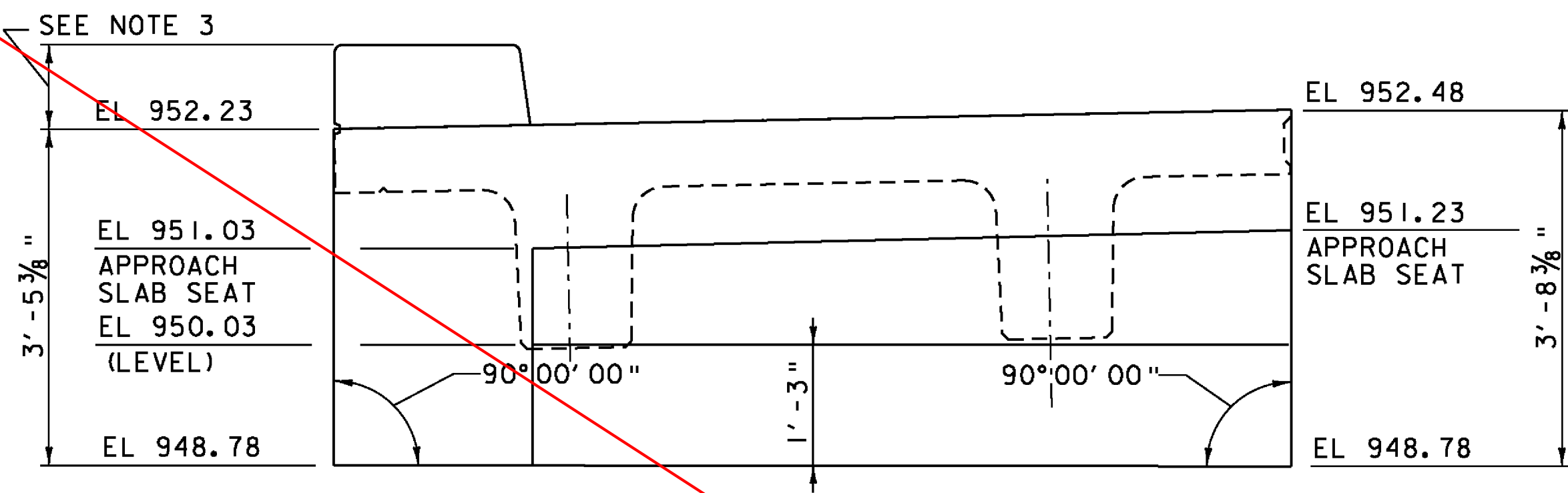
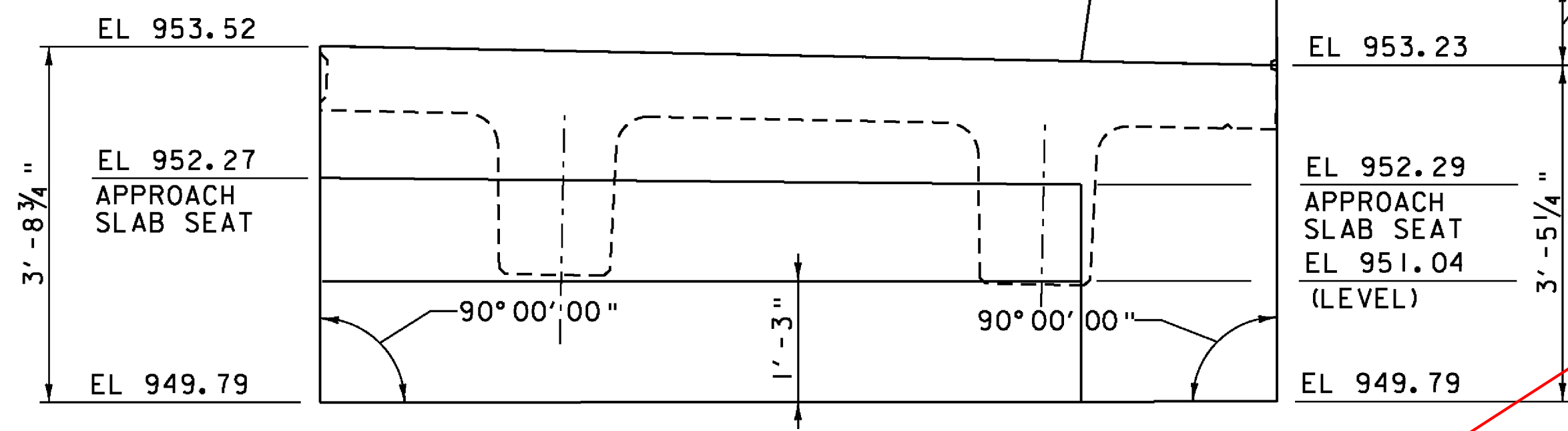


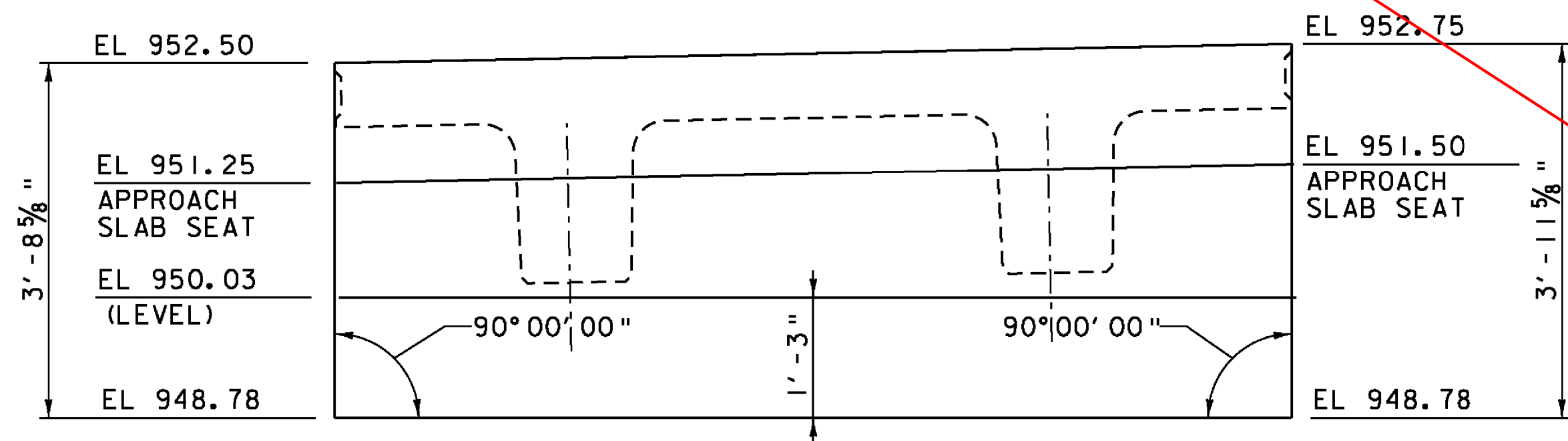
SEE REVISED SHEET 152A



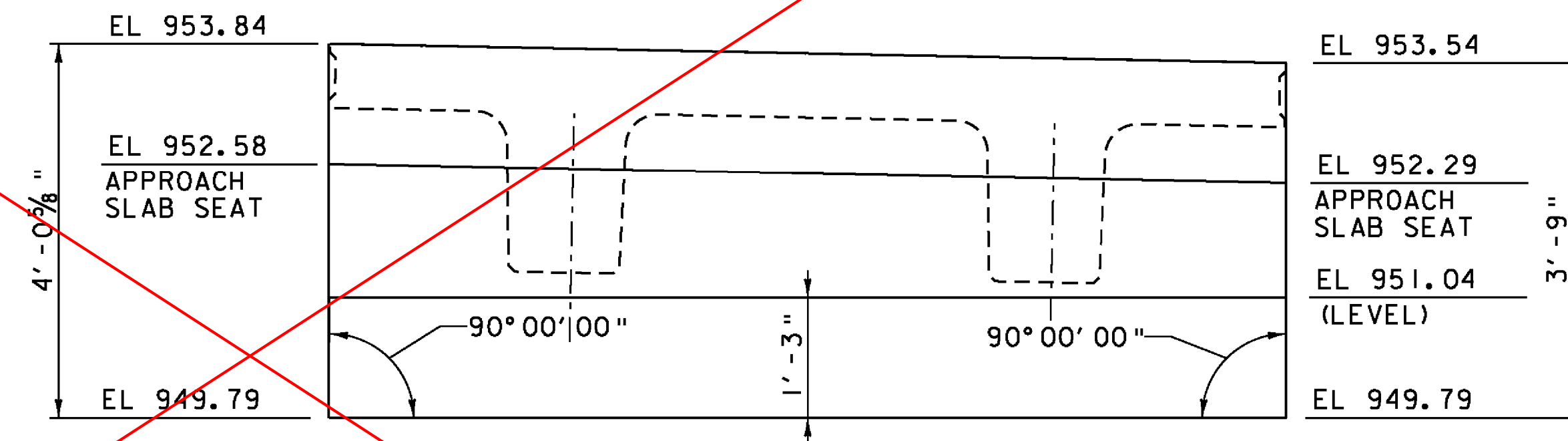
ABUTMENT NO 1, NEXT 1
SCALE 3/4" = 1'-0"



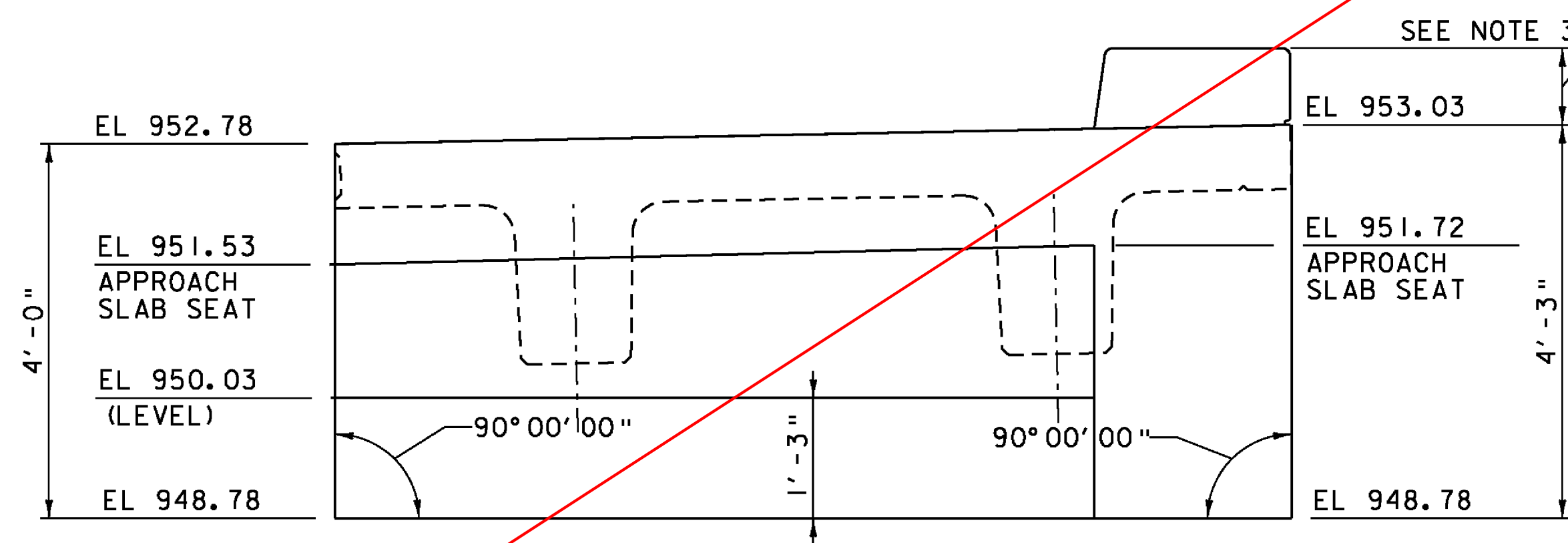
ABUTMENT NO 2, NEXT 1
SCALE 3/4" = 1'-0"



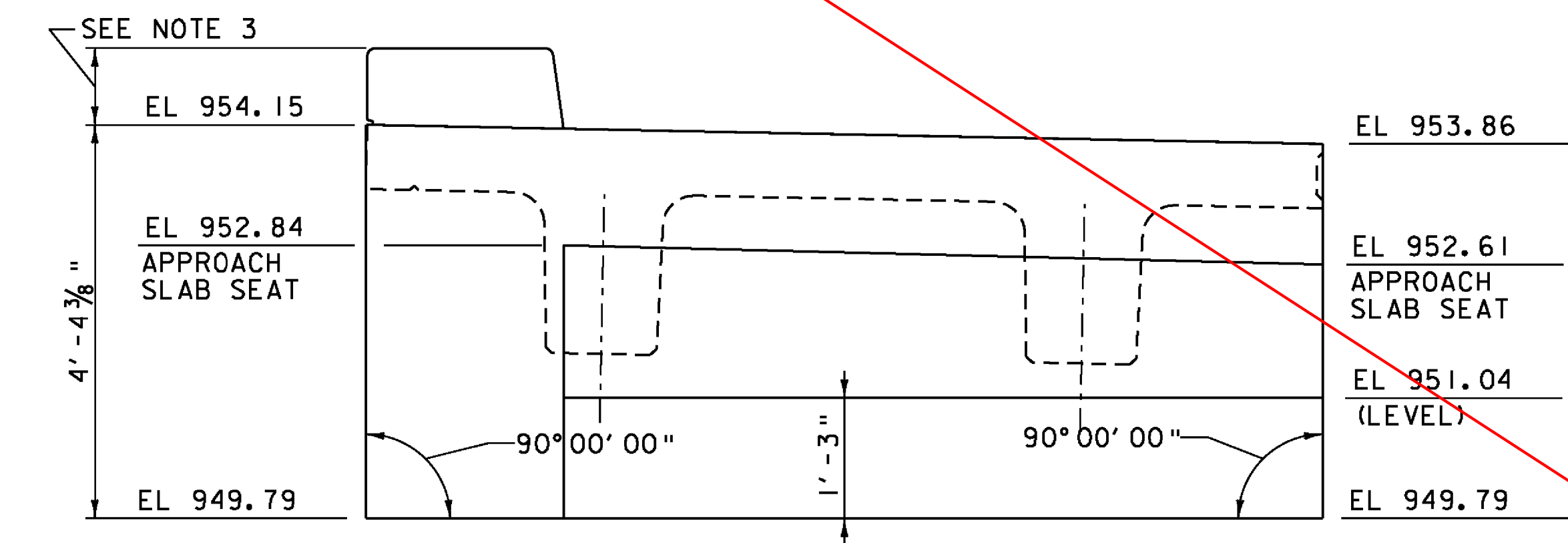
ABUTMENT NO 1, NEXT 2
SCALE 3/4" = 1'-0"



ABUTMENT NO 2, NEXT 2
SCALE 3/4" = 1'-0"



ABUTMENT NO 1, NEXT 3
SCALE 3/4" = 1'-0"



ABUTMENT NO 2, NEXT 3
SCALE 3/4" = 1'-0"

- NOTES:**
1. SEE BR 16 CURTAIN WALL DETAIL SHEET (1 OF 2) FOR HORIZONTAL DIMENSIONS AND CURTAIN WALL LIMITS.
 2. SEE BR 16 NEXT BEAM DETAILS SHEET (3 OF 3) FOR PRECAST CURTAIN WALL SECTION AND REINFORCING INFORMATION.
 3. SEE CURB HEIGHT DETAIL ON BR 16 NEXT BEAM DETAILS SHEET (2 OF 3).

PROJECT NAME:	ROCHESTER
PROJECT NUMBER:	BRF 0162(17)
FILE NAME:	z85e035sup.dgn
PROJECT LEADER:	G.S. GOODRICH
DESIGNED BY:	G.S. GOODRICH
BR 16 CURTAIN WALL DETAILS (2 OF 2)	
PLOT DATE:	8/19/2013
DRAWN BY:	B.J. MASSE
CHECKED BY:	L.S. CHERVINCKY
SHEET	152 OF 238

