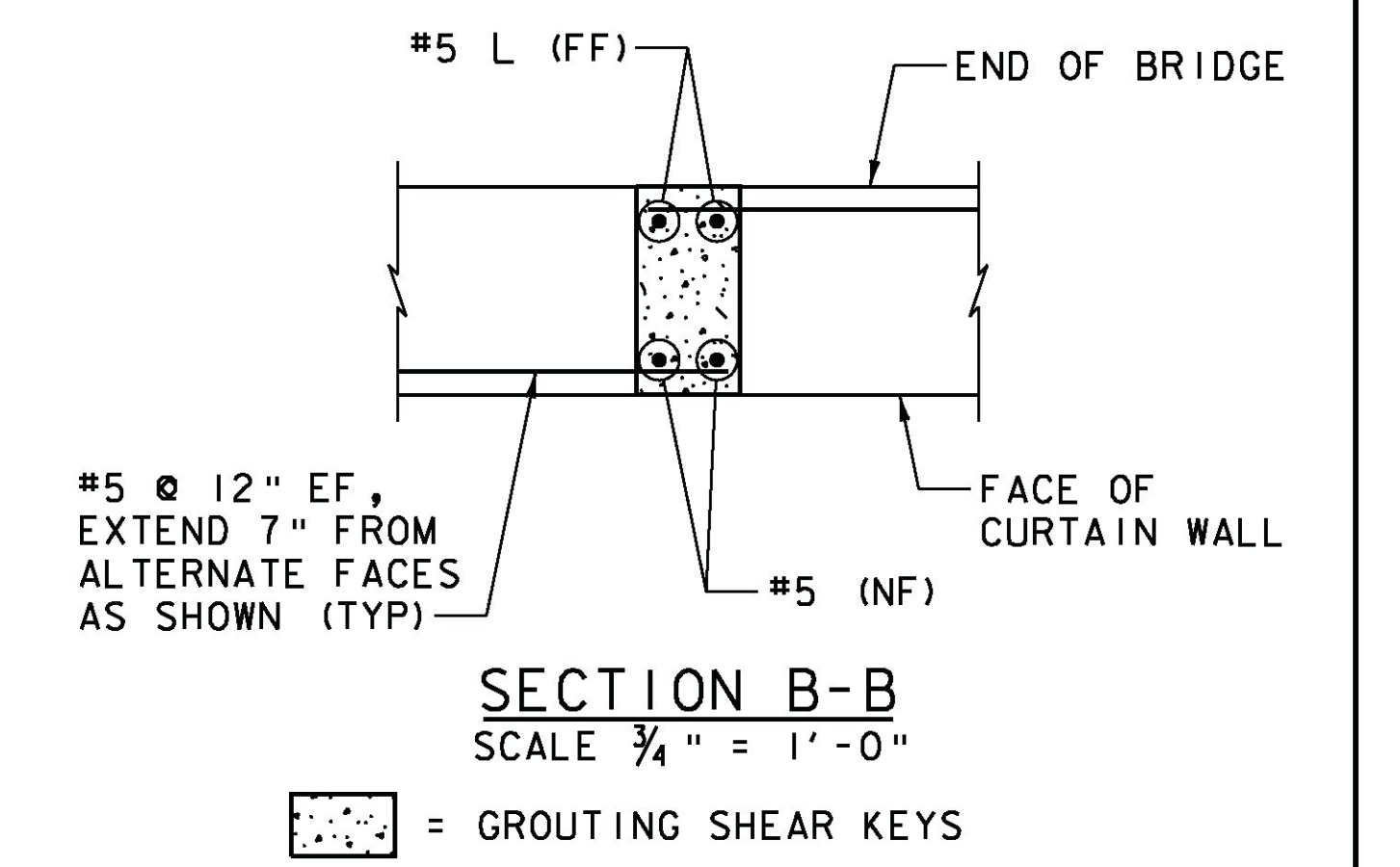
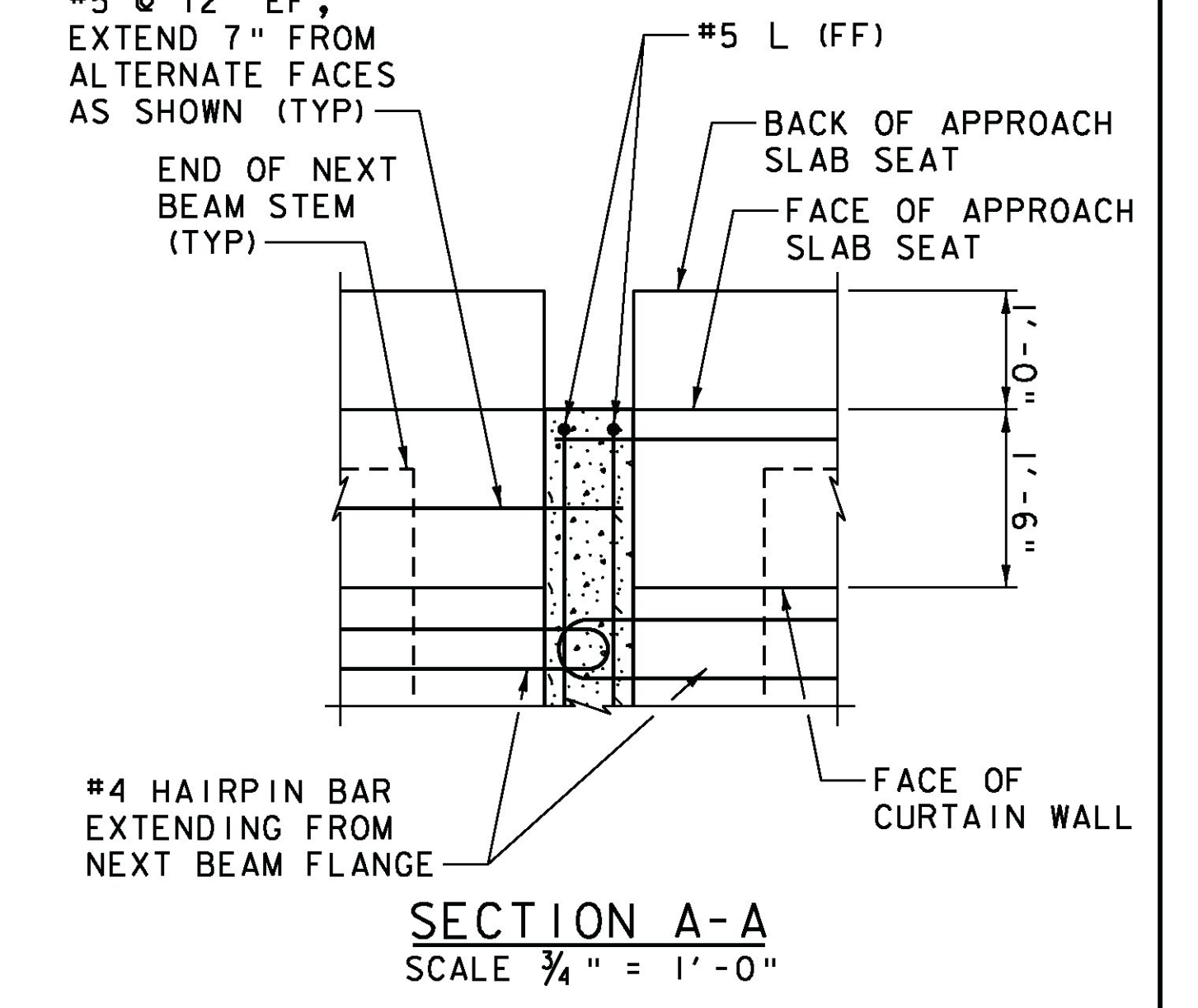
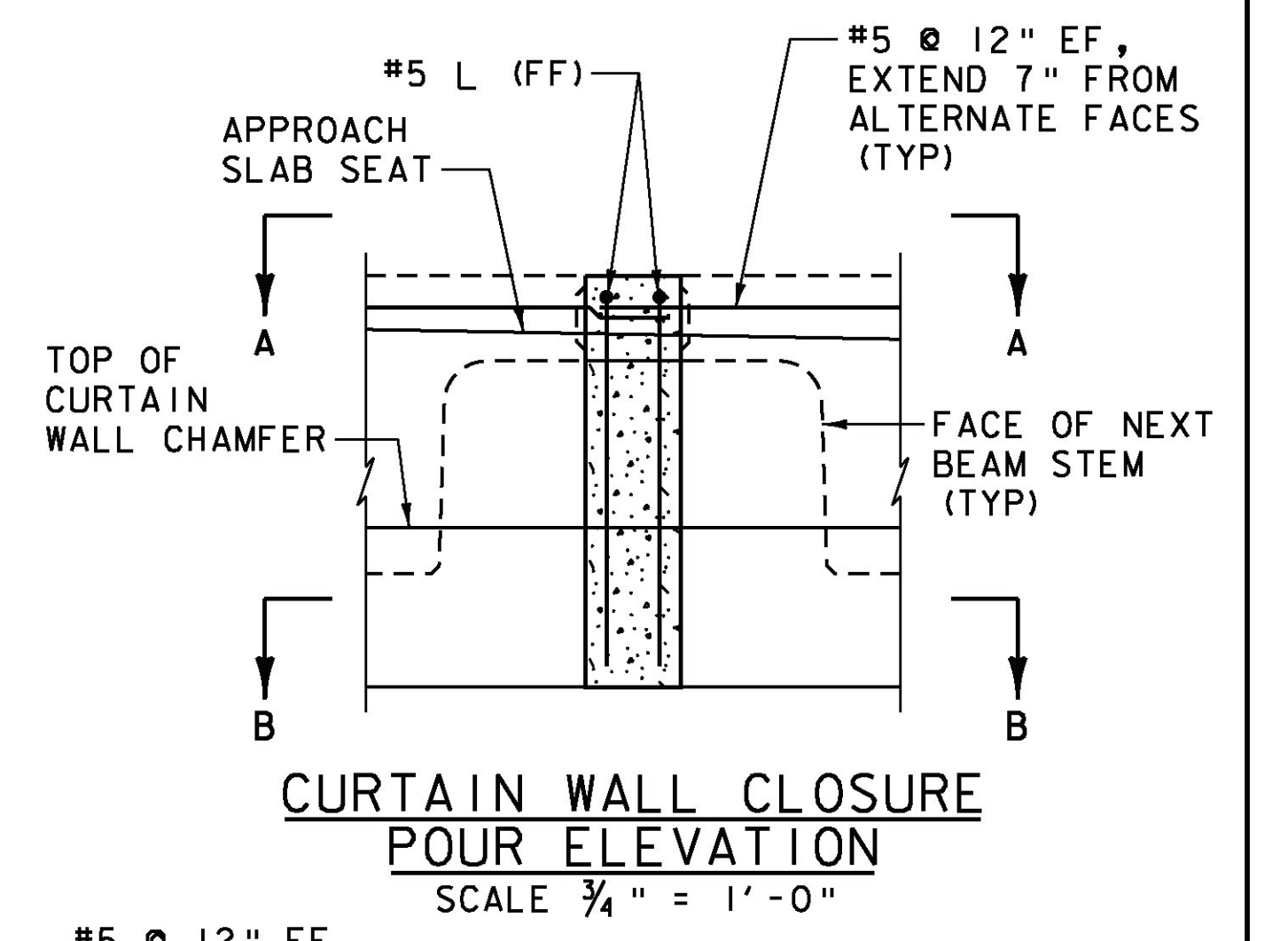
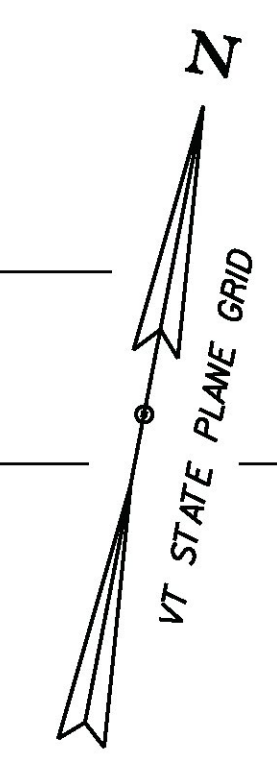


[Shaded Area] - LIMITS OF PRECAST CONCRETE CURTAIN WALL
 * DIMENSIONS NORMAL TO Q BRG

NOTES:

- SEE BR 16 CURTAIN WALL DETAIL SHEET (2 OF 2) FOR VERTICAL CURTAIN WALL DIMENSIONS AND ELEVATIONS.
- SEE BR 16 NEXT BEAM DETAILS SHEET (3 OF 3) FOR PRECAST CURTAIN WALL SECTION AND REINFORCING INFORMATION.

NEXT BEAM CURTAIN WALL PLAN
 SCALE 1/2" = 1'-0"



[Stippled Area] = GROUTING SHEAR KEYS

PROJECT NAME:	ROCHESTER	PLOT DATE:	8/19/2013
PROJECT NUMBER:	BRF 0162(17)	DRAWN BY:	B.JJ MASSE
FILE NAME:	z85e035sup.dgn	CHECKED BY:	L.S. CHERVINCKY
PROJECT LEADER:	G.S. GOODRICH	SHEET	151 OF 238
DESIGNED BY:	J.J. WESTCOTT		
BR 16 CURTAIN WALL DETAILS (1 OF 2)			

