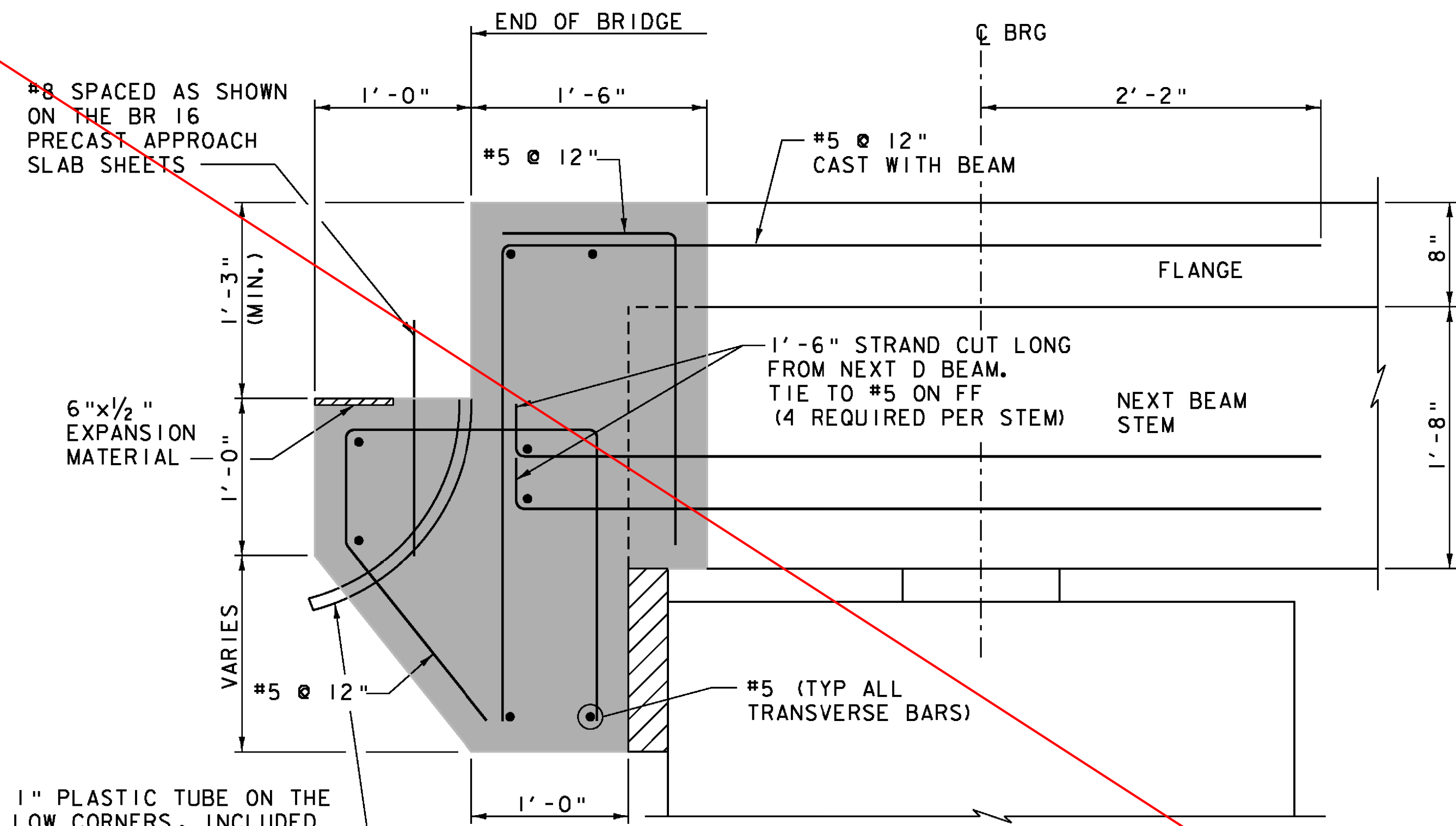


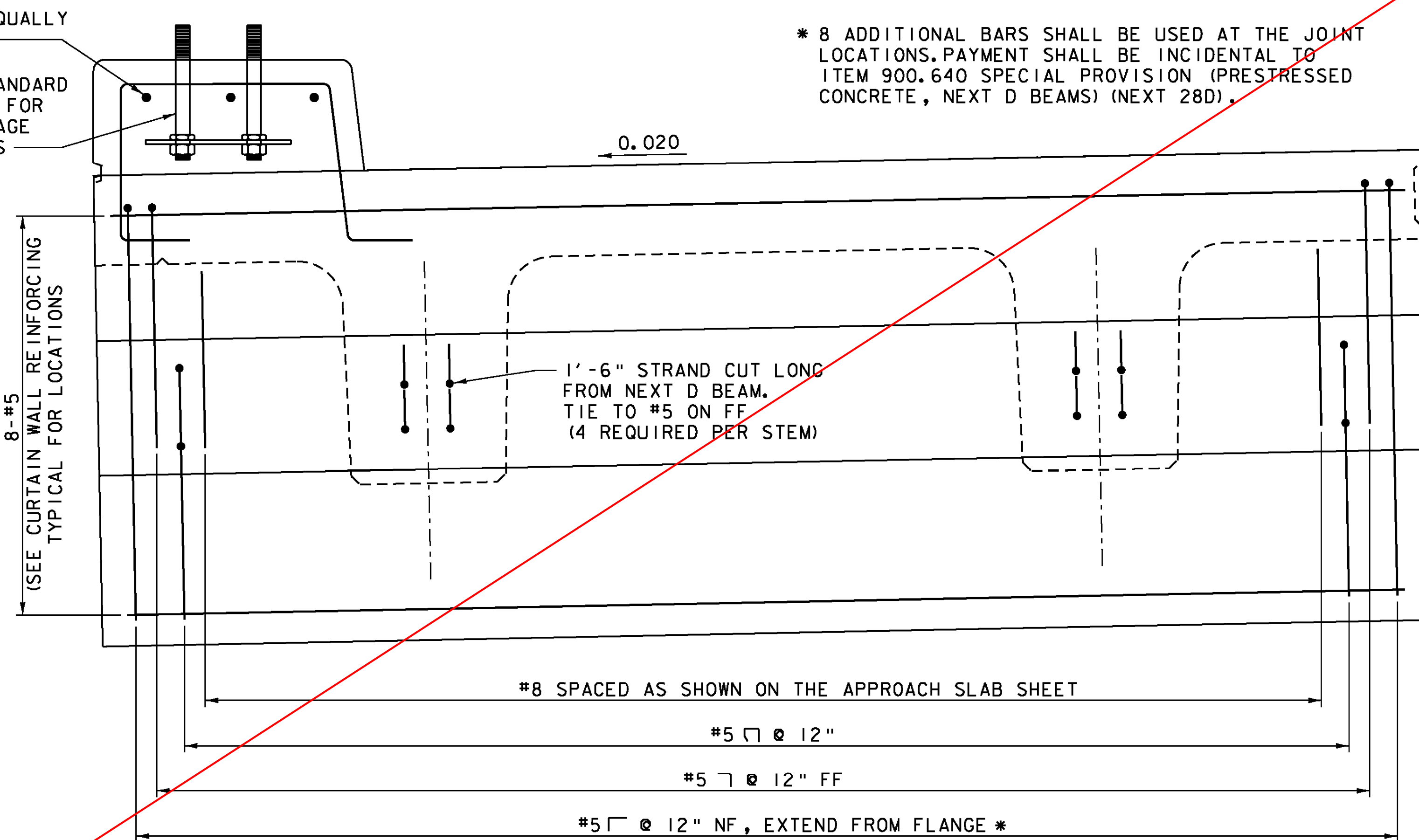
SEE REVISED SHEET 150A



**PRECAST CONCRETE CURTAIN WALL
REINFORCING TYPICAL SECTION**

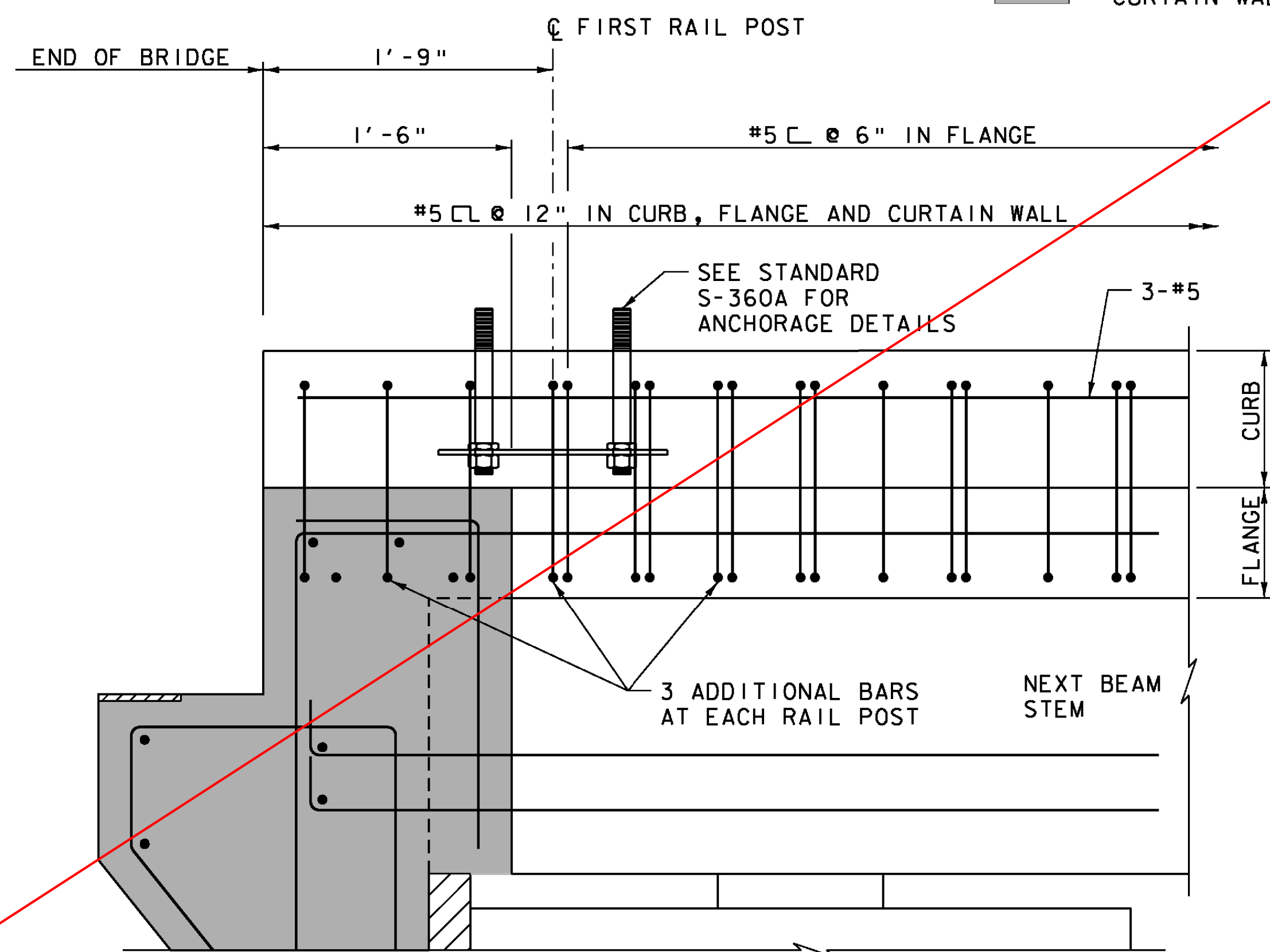
(ABUT NO 1 SHOWN, ABUT NO 2 SIMILAR, OPPOSITE HAND)
(DIMENSIONS ARE NORMAL TO ϕ BRG)
SCALE 1/2" = 1'-0"

■ LIMITS OF PRECAST CONCRETE CURTAIN WALL



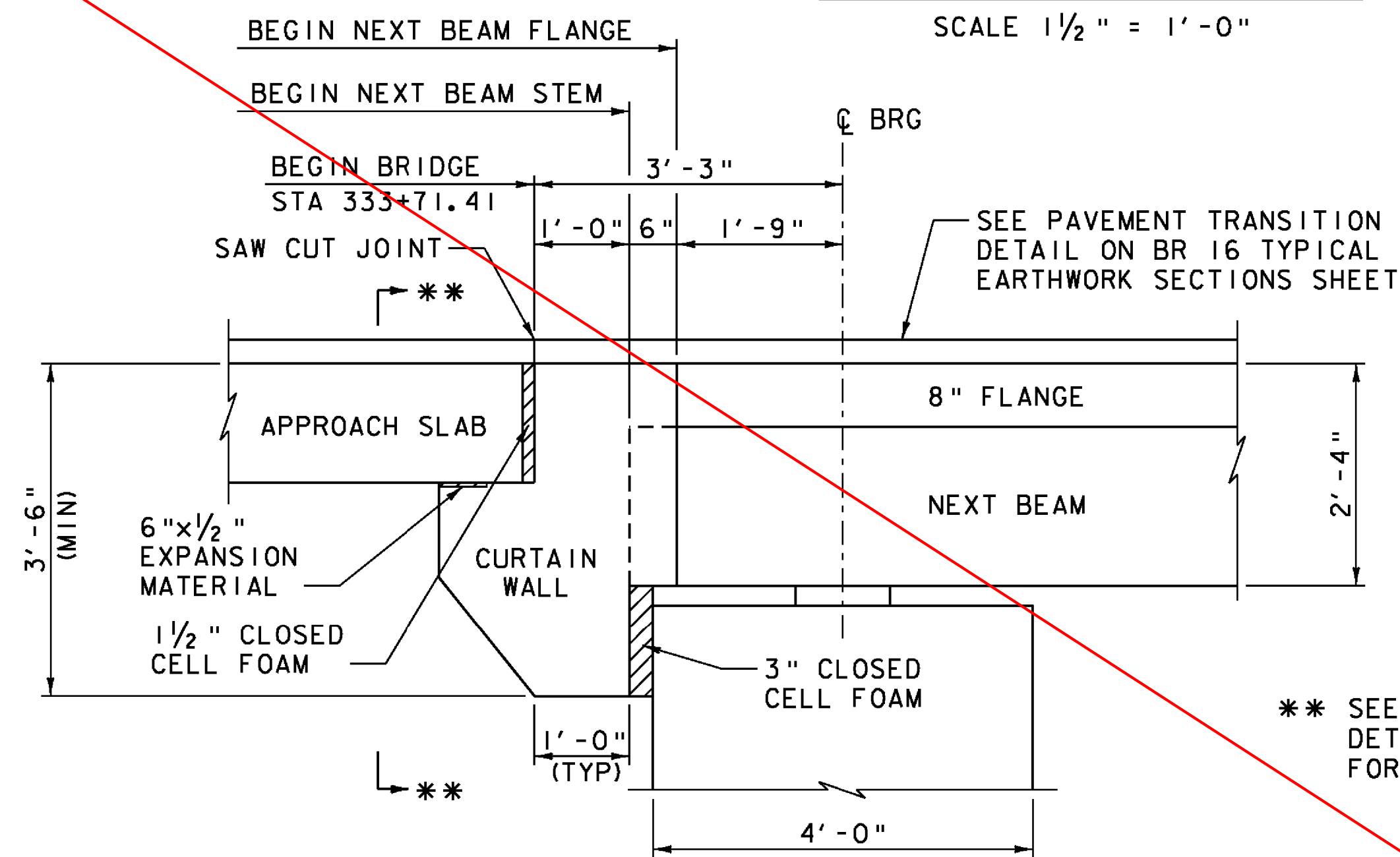
**PRECAST CONCRETE CURTAIN WALL
REINFORCING ELEVATION**

SCALE 1/2" = 1'-0"



**PRECAST CONCRETE CURTAIN WALL
REINFORCING AT CURB SECTION**

(ABUT NO 1 SHOWN, ABUT NO 2 SIMILAR, OPPOSITE HAND)
(DIMENSIONS ARE NORMAL TO ϕ BRG)
SCALE 1/2" = 1'-0"



BRIDGE END DETAIL

(ABUT NO 1 SHOWN, ABUT NO 2 SIMILAR, OPPOSITE HAND)
(DIMENSIONS ARE NORMAL TO ϕ BRG)
SCALE 3/4" = 1'-0"

NOTE:

NF = NEAR FACE
FF = FAR FACE
EF = EACH FACE
▲ = CUT TO FIT IN FIELD
3" CLEAR, UNLESS OTHERWISE SPECIFIED ON THE PLANS.
2'-2" BAR LAP UNLESS OTHERWISE SPECIFIED ON THE PLANS.

** SEE BR 16 CURTAIN WALL DETAILS (SHEET 2 OF 2) FOR CURTAIN WALL END VIEWS

PROJECT NAME: ROCHESTER
PROJECT NUMBER: BRF 0162(17)

FILE NAME: z85e035sub.dgn
PROJECT LEADER: G.S. GOODRICH
DESIGNED BY: J.J. WESTCOTT
BR 16 NEXT BEAM DETAILS (3 OF 3)

PLOT DATE: 8/19/2013
DRAWN BY: B.J. MASSE
CHECKED BY: L.S. CHERVINCKY
SHEET 150 OF 238

VHB Vanasse Hangen Brustlin, Inc.