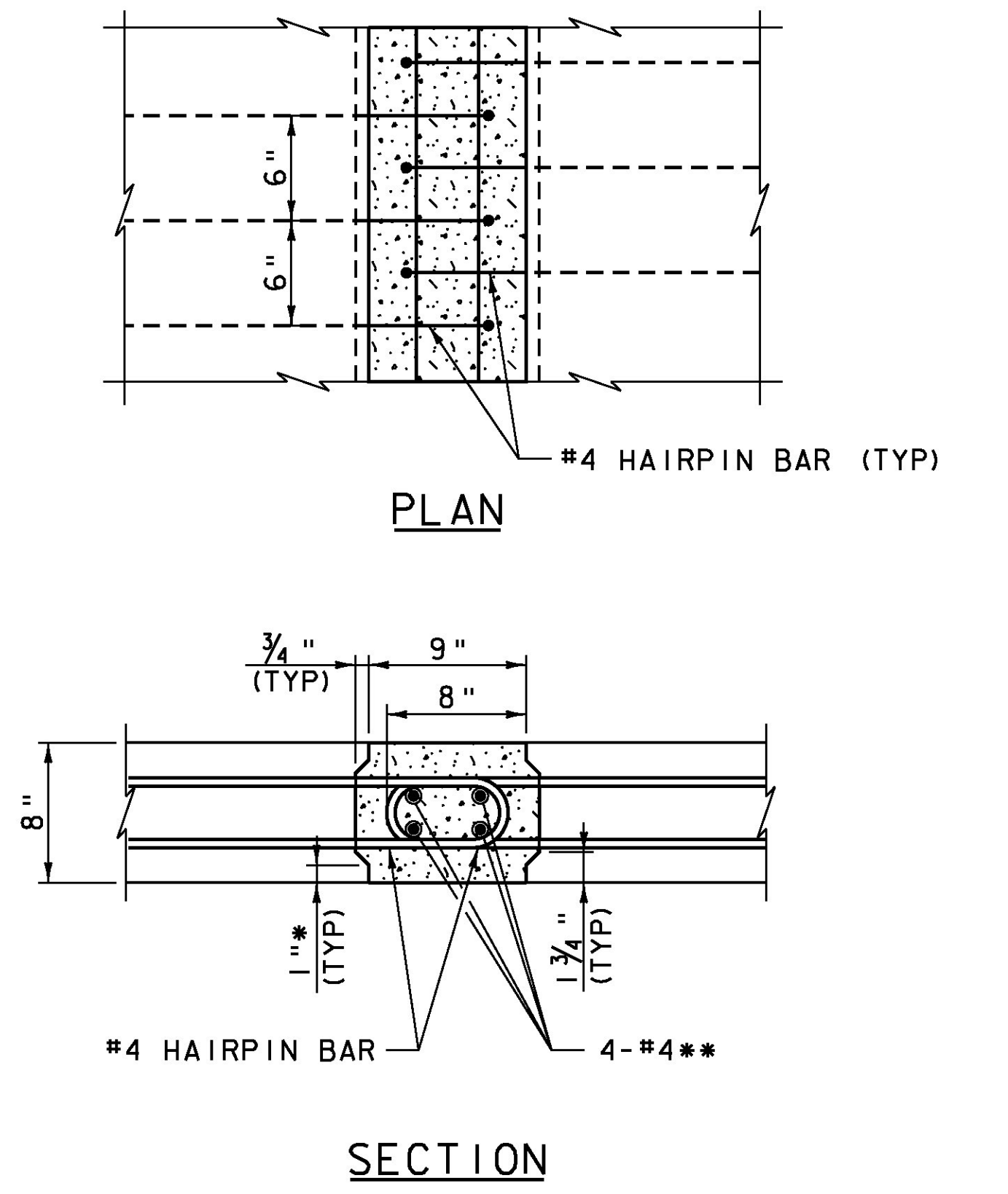
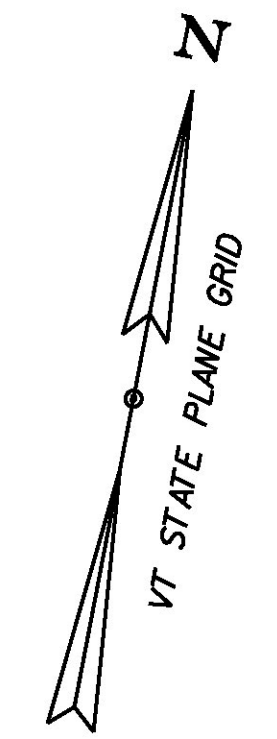


**BRIDGE PLAN**  
SCALE 1/4" = 1'-0"

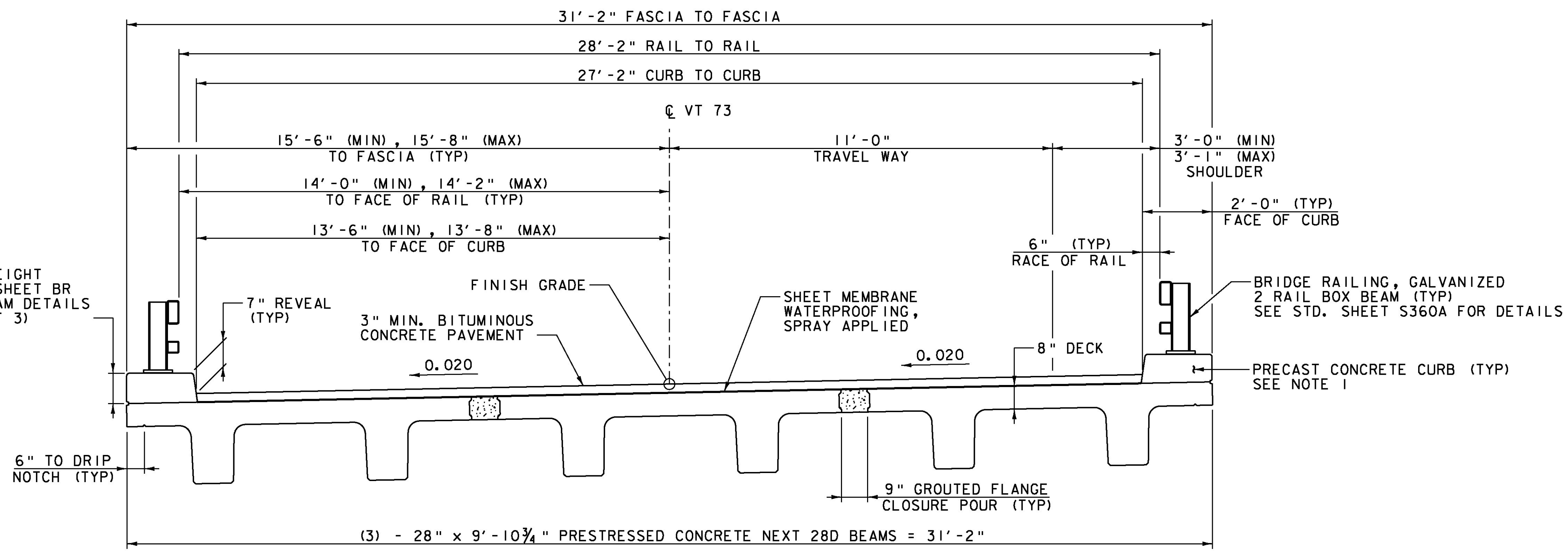


**FLANGE CONNECTION DETAILS**  
SCALE 1/2" = 1'-0"

[Pattern] = SPECIAL PROVISION  
(HIGH PERFORMANCE CONCRETE, RAPID SET)

\* DIMENSIONS ARE TO KEY IN JOINT  
\*\* FOUR #4 BARS SHALL BE PLACED AS SHOWN ALONG ENTIRE LENGTH OF JOINT. PAYMENT SHALL BE INCIDENTAL TO SPECIAL PROVISION (PRESTRESSED CONCRETE NEXT D BEAMS) (NEXT 28D)

VARIES, SEE CURB HEIGHT DETAIL ON SHEET BR 16 NEXT BEAM DETAILS SHEET (2 OF 3)



**TYPICAL BRIDGE SECTION**  
SCALE 1/2" = 1'-0"

**NOTE:**  
1. COSTS FOR PRECAST CURB TO BE INCLUDED IN THE UNIT PRICE BID FOR ITEM 900.640, "SPECIAL PROVISION (PRESTRESSED CONCRETE NEXT D BEAMS) (NEXT 28 D)".

PROJECT NAME:	ROCHESTER	PLOT DATE:	8/19/2013
PROJECT NUMBER:	BRF 0162(17)	DRAWN BY:	B.J. MASSE
FILE NAME:	z85e035sup.dgn	DESIGNED BY:	J.J. WESTCOTT
PROJECT LEADER:	G.S. GOODRICH	CHECKED BY:	L.S. CHERVINCKY
BR 16 FRAMING PLAN		SHEET	147 OF 238

