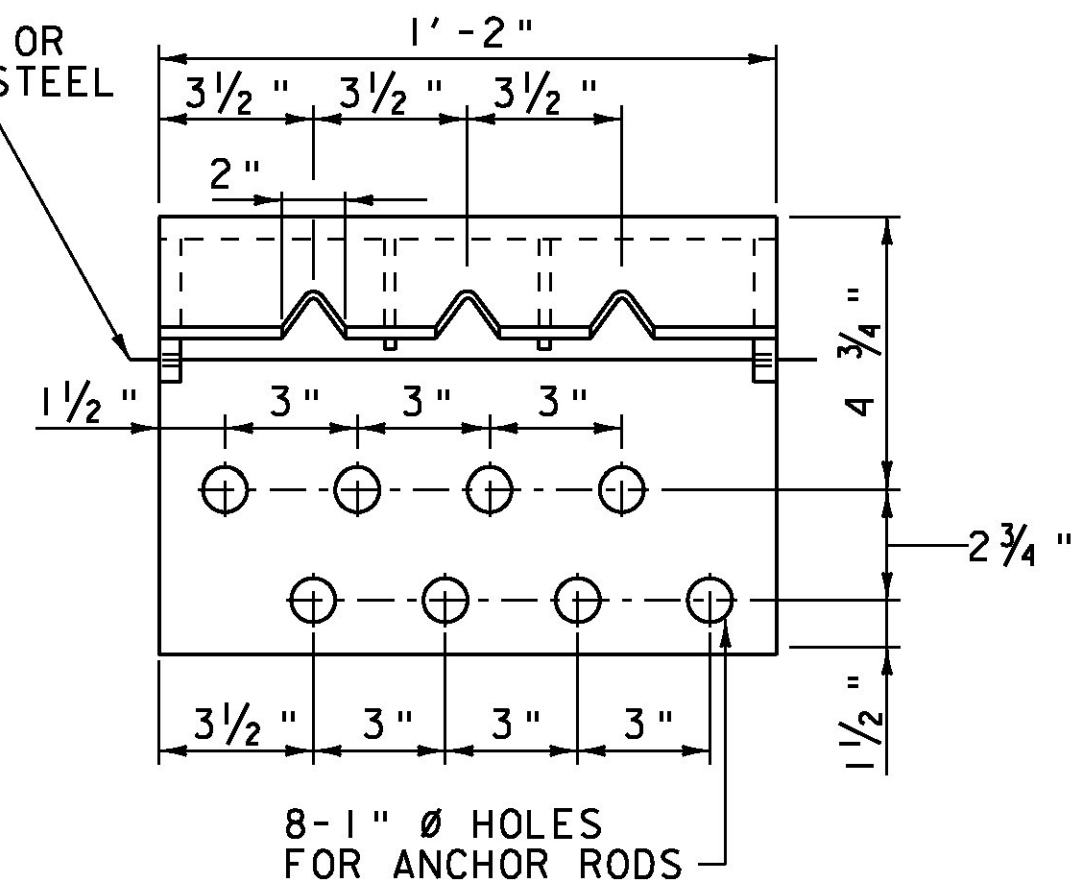
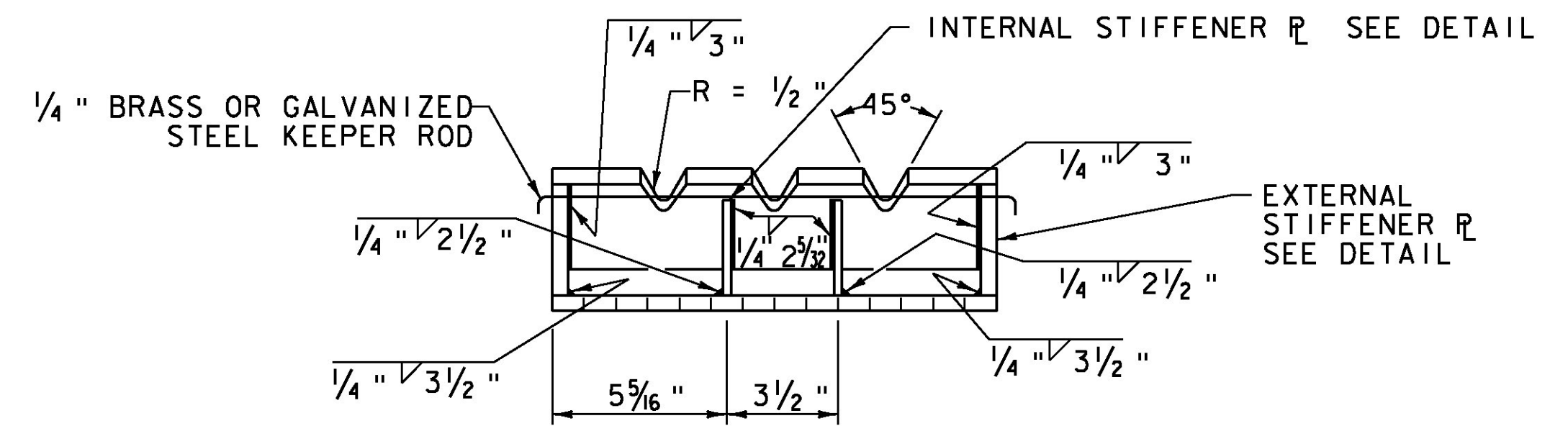


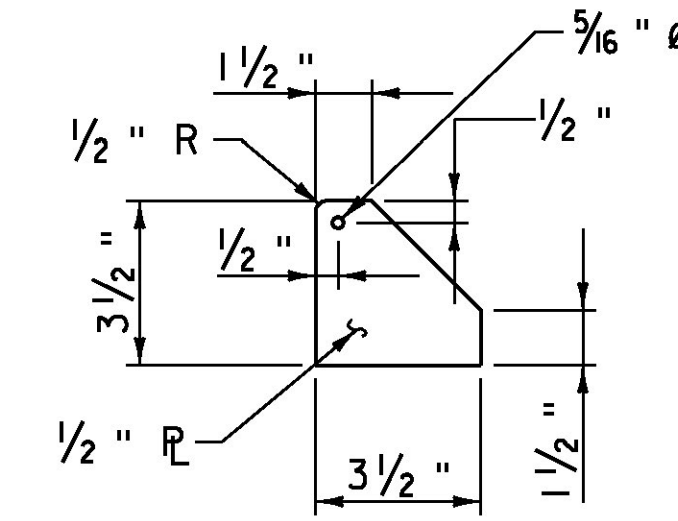
**BENT PLATE
ANCHOR ANGLE DETAILS**



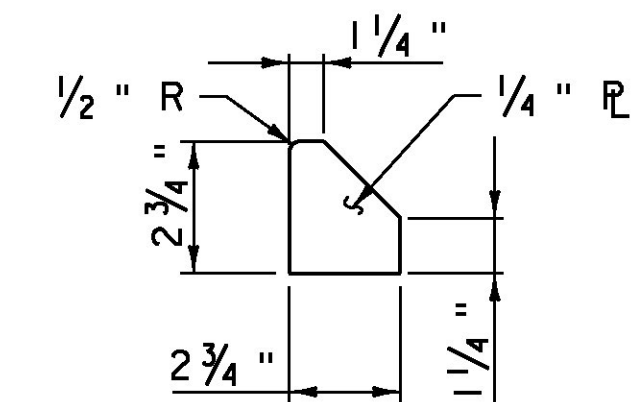
**WELDED PLATE
ANCHOR ANGLE DETAILS**



ANCHOR ANGLE DETAILS

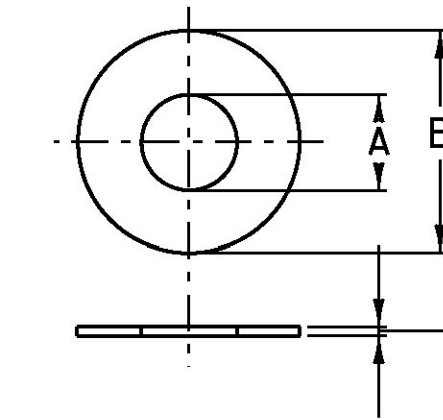


**EXTERNAL STIFFENER R
ANCHOR ANGLE DETAILS**

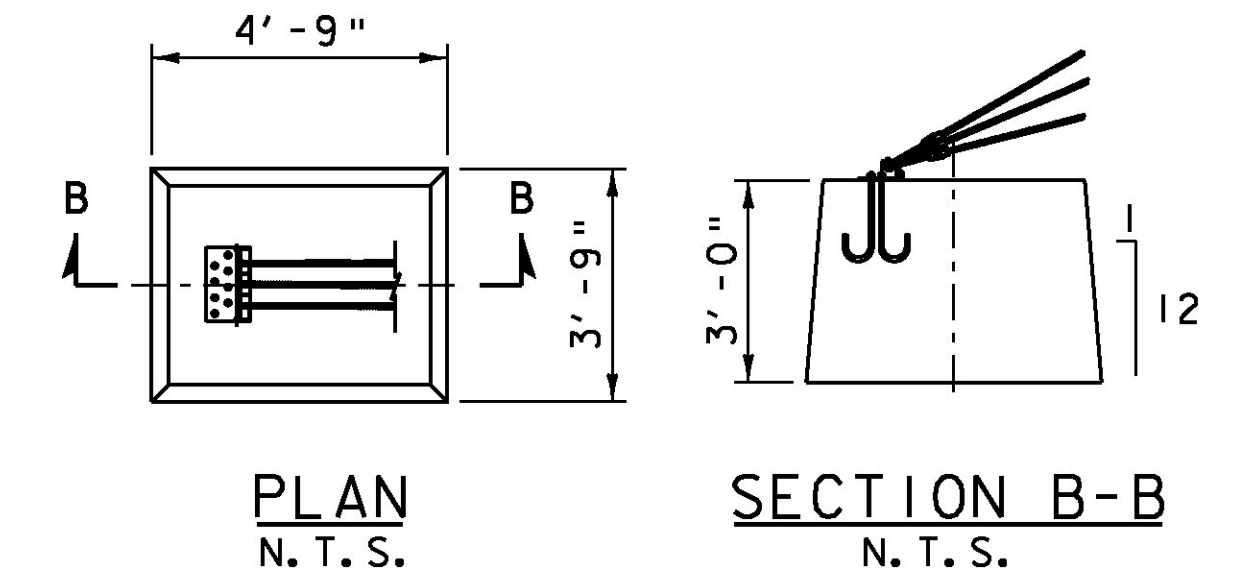


**INTERNAL STIFFENER R
ANCHOR ANGLE DETAILS**

WASHER	WASHER SERIES	INSIDE DIAMETER "A"			OUTSIDE DIAMETER "B"			THICKNESS "C"		
		BASIC	TOLERANCE PLUS	TOLERANCE MINUS	BASIC	TOLERANCE PLUS	TOLERANCE MINUS	BASIC	MAX.	MIN.
3/4"	REGULAR	0.812	0.030	0.007	1.469	0.030	0.007	0.134	0.160	0.108
	WIDE	0.812	0.030	0.007	2.000	0.030	0.007	0.165	0.192	0.136
1/2"	NARROW	0.531	0.015	0.005	1.062	0.030	0.007	0.095	0.121	0.074

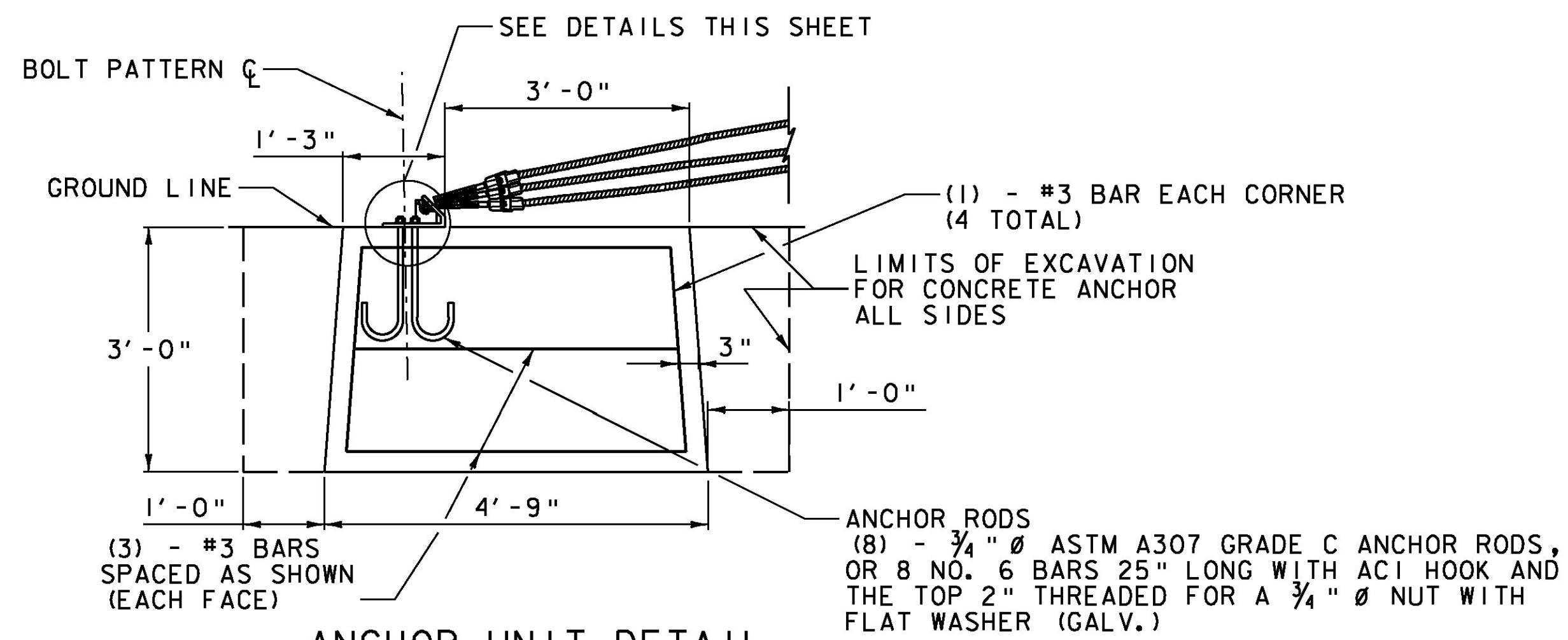


WASHER TABLE AND WASHER DETAIL



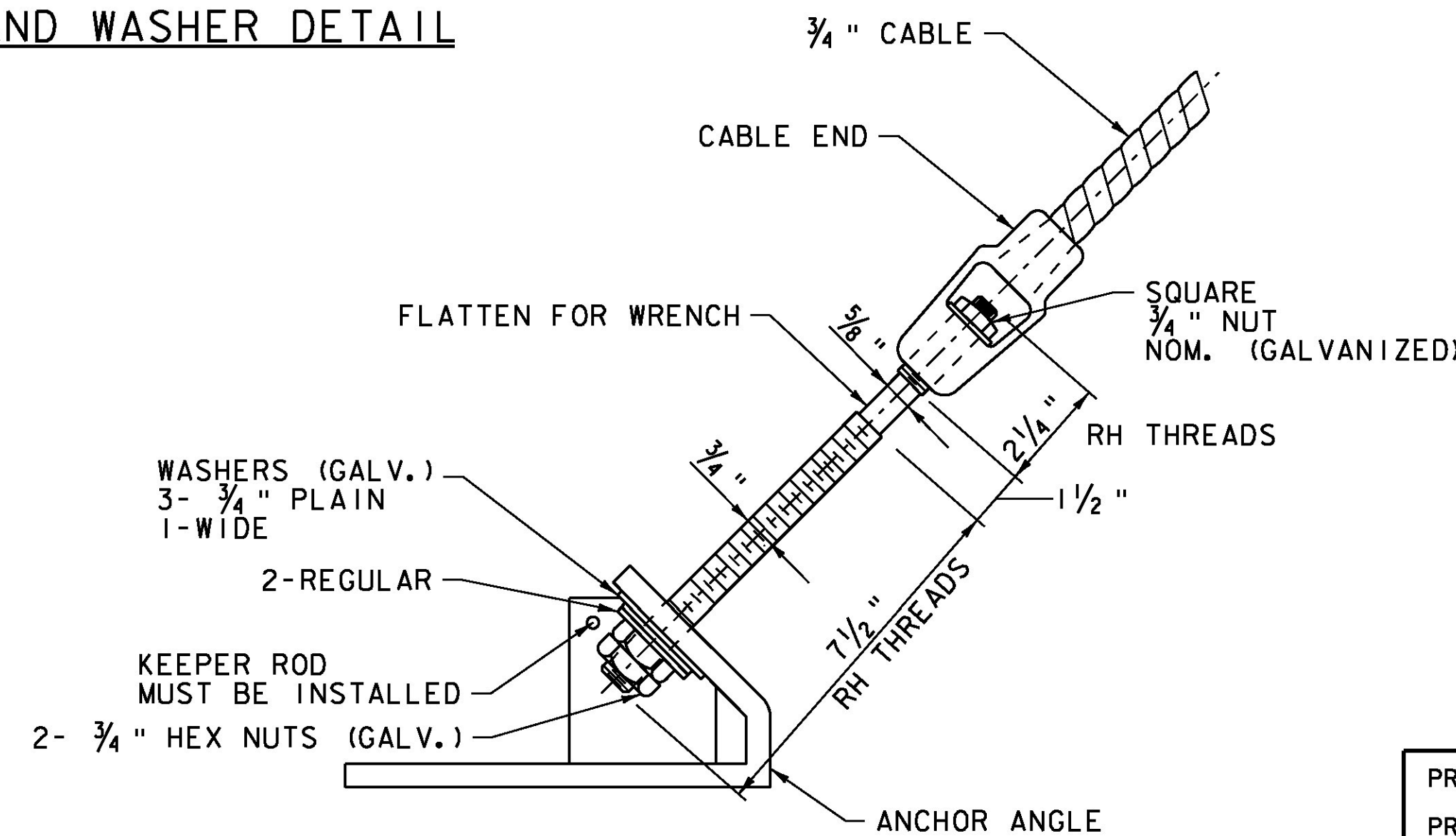
**PLAN
N. T. S.** **SECTION B-B
N. T. S.**

CONCRETE ANCHOR



ANCHOR UNIT DETAIL

THE CONCRETE ANCHOR SHALL BE SET INTO THE EXCAVATION AS DETAILED. THE BOTTOM OF THE ANCHOR SHALL HAVE A FULL EVEN BEARING ON THE SURFACE UNDER IT.



**CABLE END ASSEMBLY TO
ANCHOR ANGLE DETAILS**

PROJECT NAME: ROCHESTER	PLOT DATE: 8/19/2013
PROJECT NUMBER: BRF 0162(16)	DRAWN BY: J.L. LEMIEUX
FILE NAME: z10c418brall.dgn	DESIGNED BY: G.S. GOODRICH
PROJECT LEADER: G.S. GOODRICH	CHECKED BY: S.E. BURBANK
BR 15 GUIDE RAIL TRANSITION DETAILS (2 OF 2) SHEET 104 OF 238	