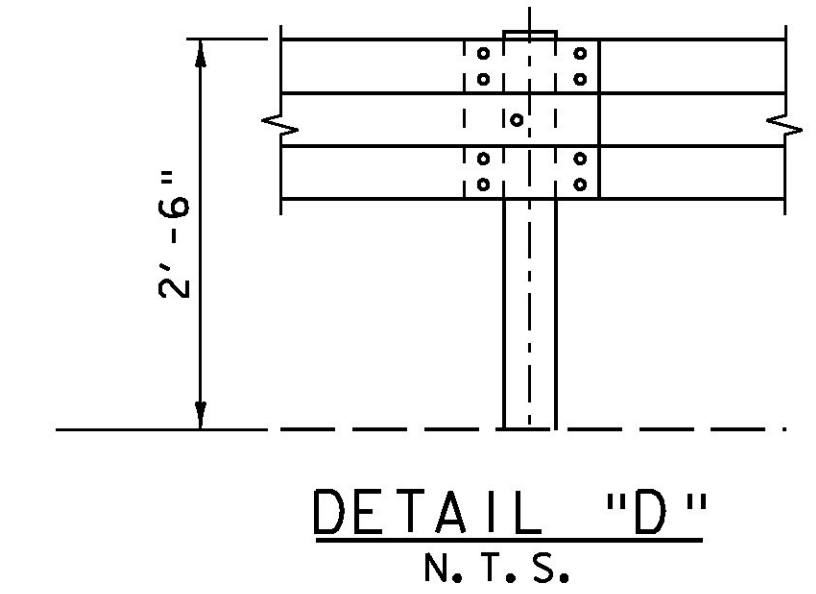
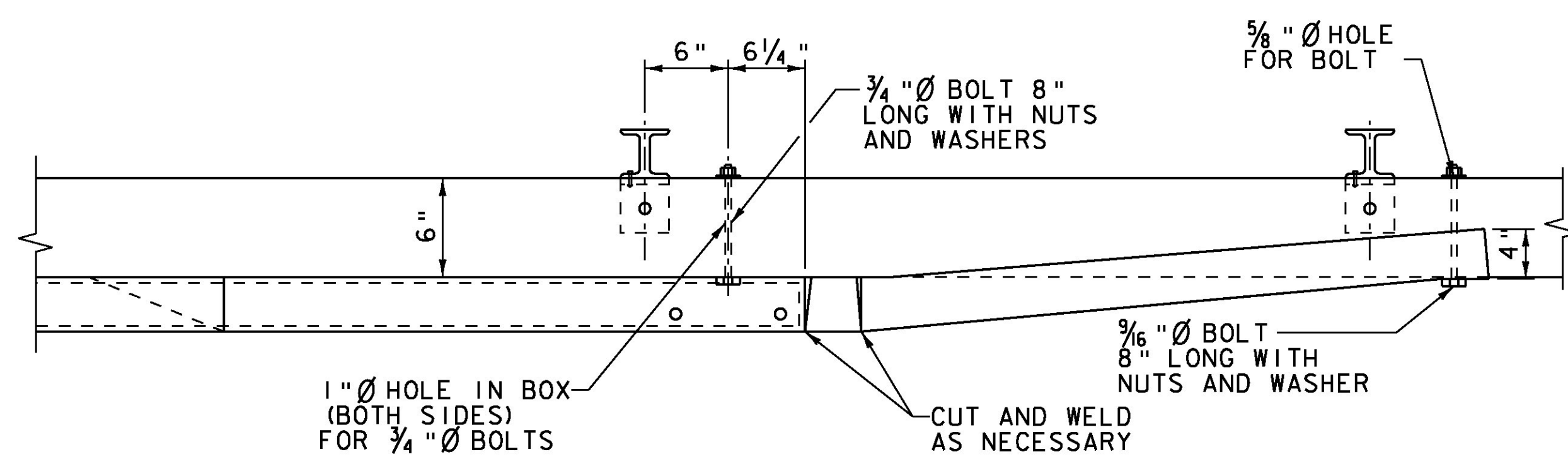


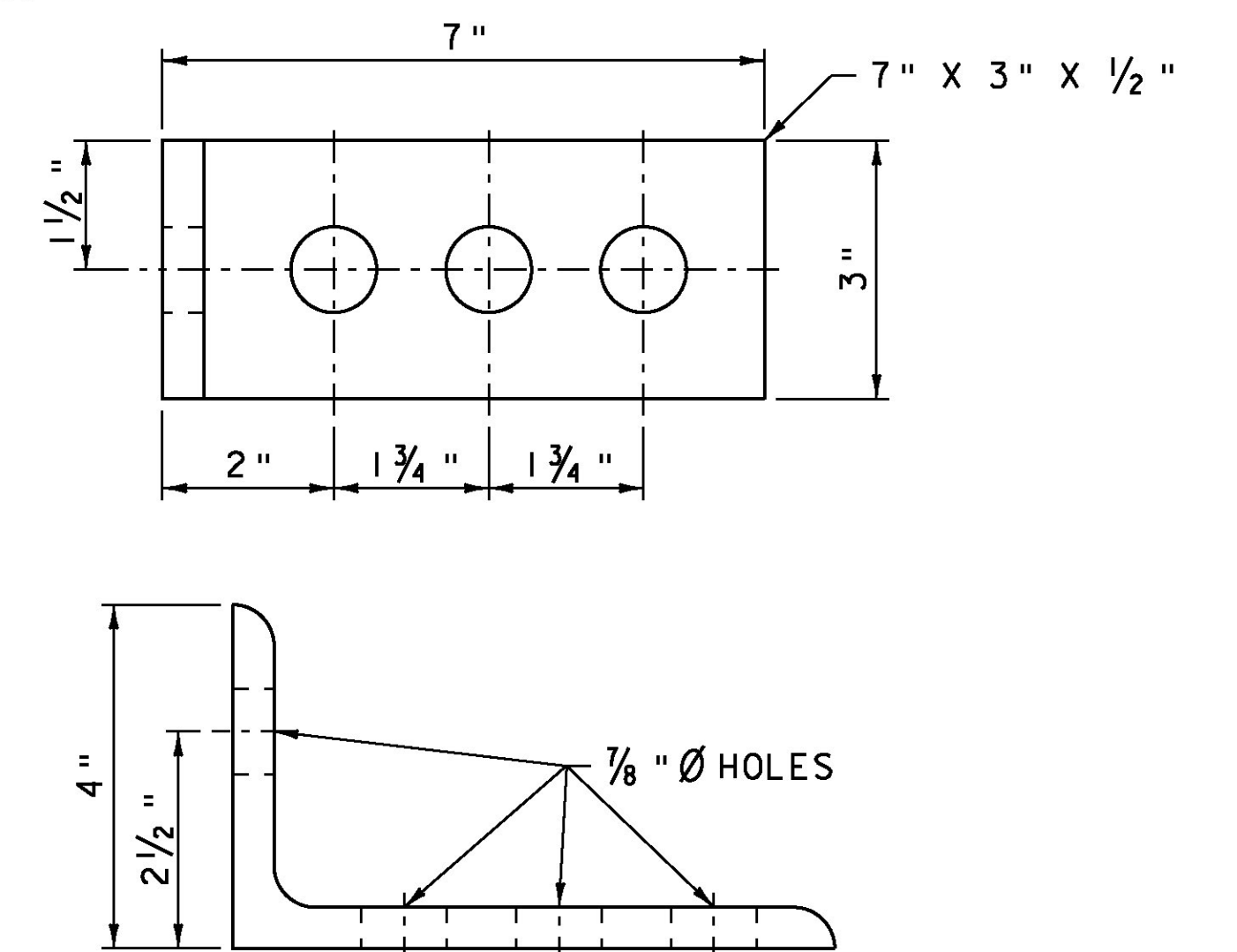
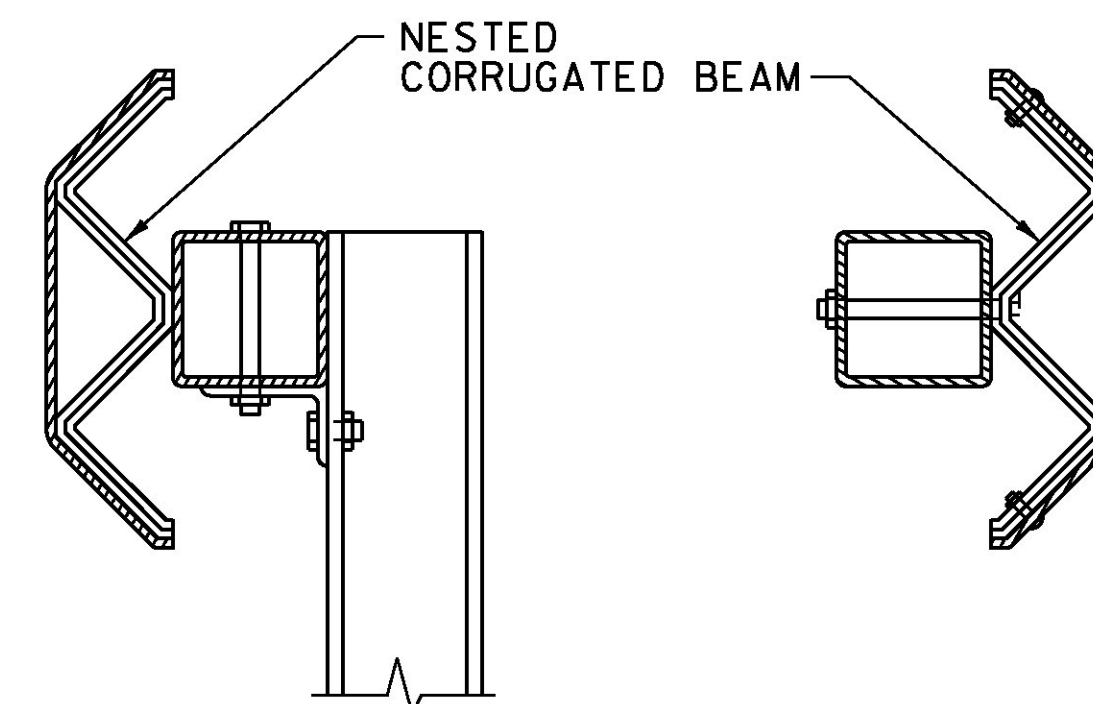
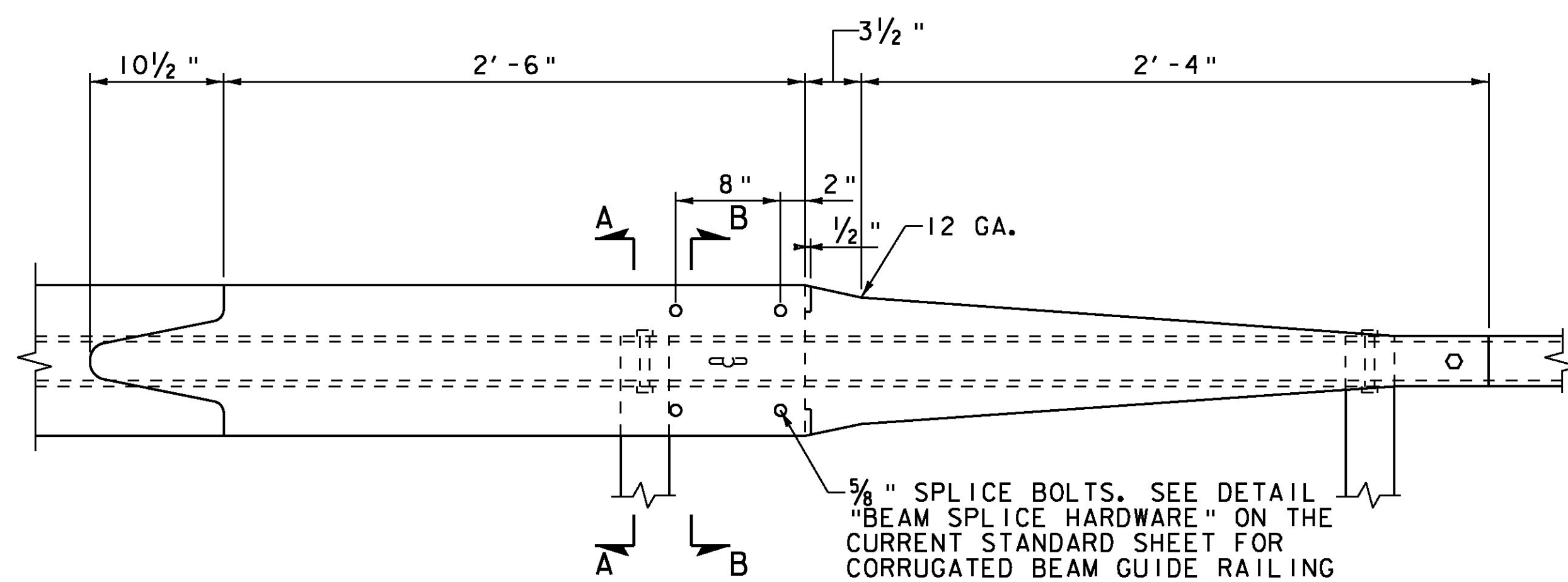
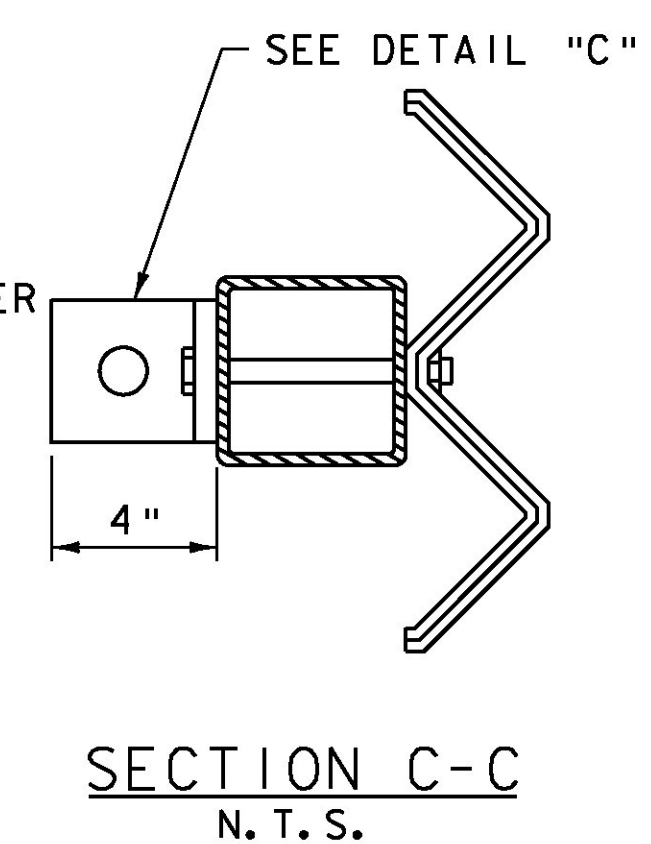
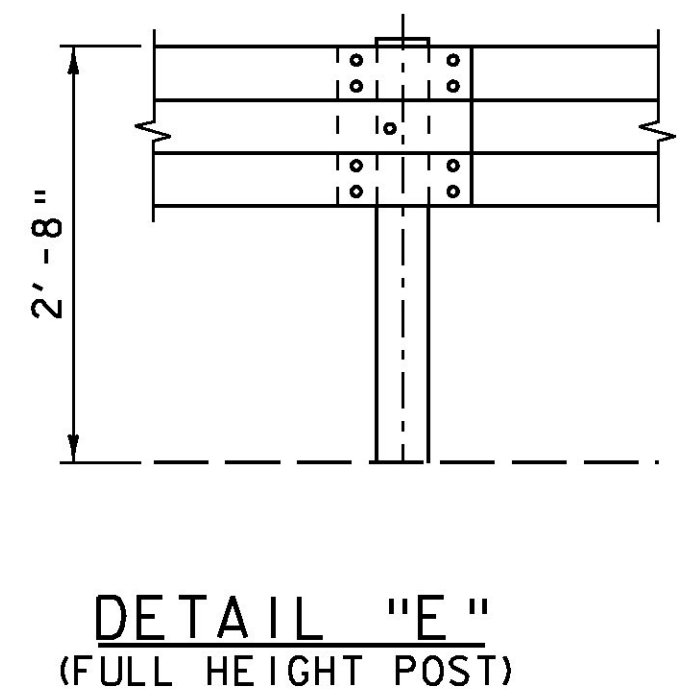
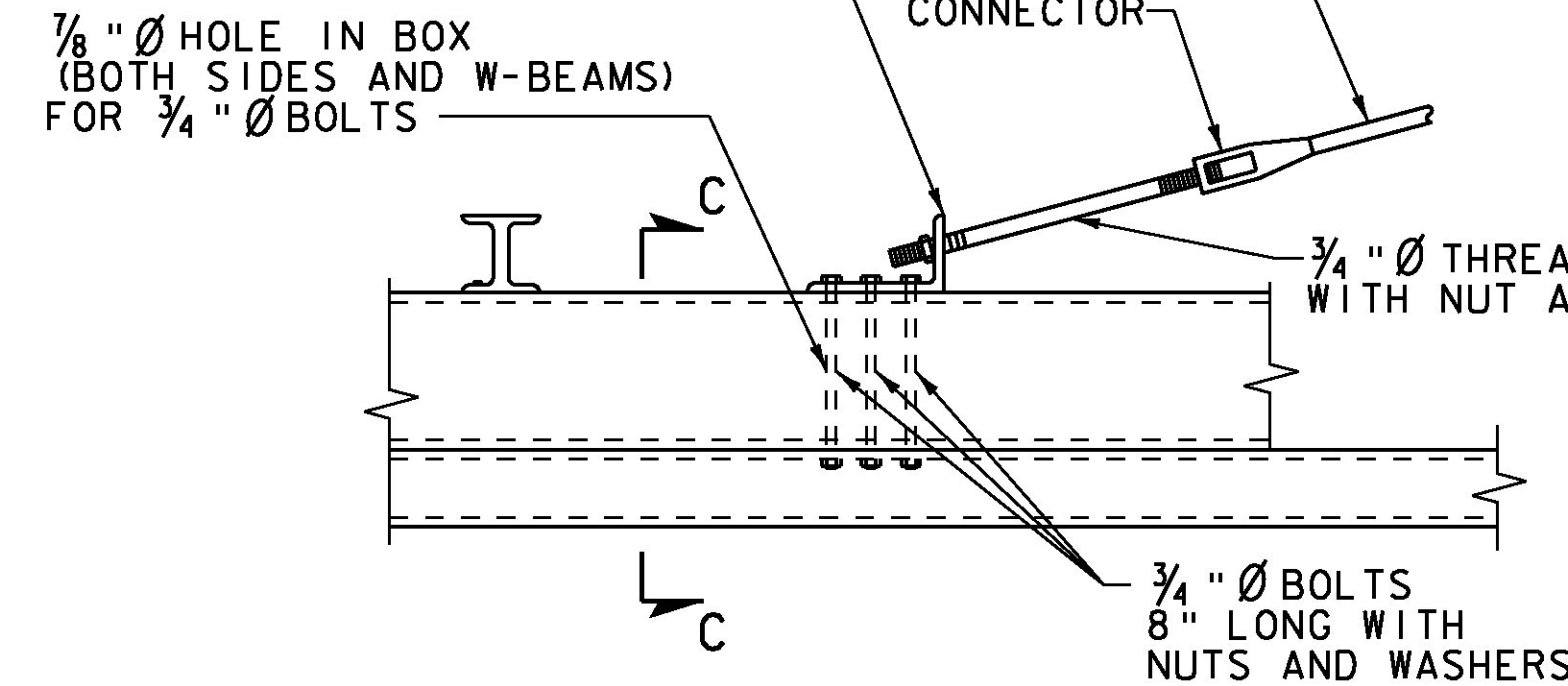
NOTE:  
SEE BRIDGE APPROACH PLANS  
WHEN TRANSITION IS USED  
ADJACENT TO STRUCTURE



TYPICAL ANCHOR FOR STEEL TO BOX BEAM  
TRANSITION. SEE DETAILS IN "GUIDE RAIL  
TRANSITION DETAILS" (2 OF 2).  
SPRING COMPENSATORS ARE NOT REQUIRED AT  
THIS LOCATION.



PLAN  
N. T. S.



PROJECT NAME: ROCHESTER  
PROJECT NUMBER: BRF 0162(16)

FILE NAME: z10c418brall dt.dgn PLOT DATE: 8/19/2013  
PROJECT LEADER: G.S. GOODRICH DRAWN BY: J.L. LEMIEUX  
DESIGNED BY: G.S. GOODRICH CHECKED BY: S.E. BURBANK  
BR 15 GUIDE RAIL TRANSITION DETAILS (1 OF 2) SHEET 103 OF 238