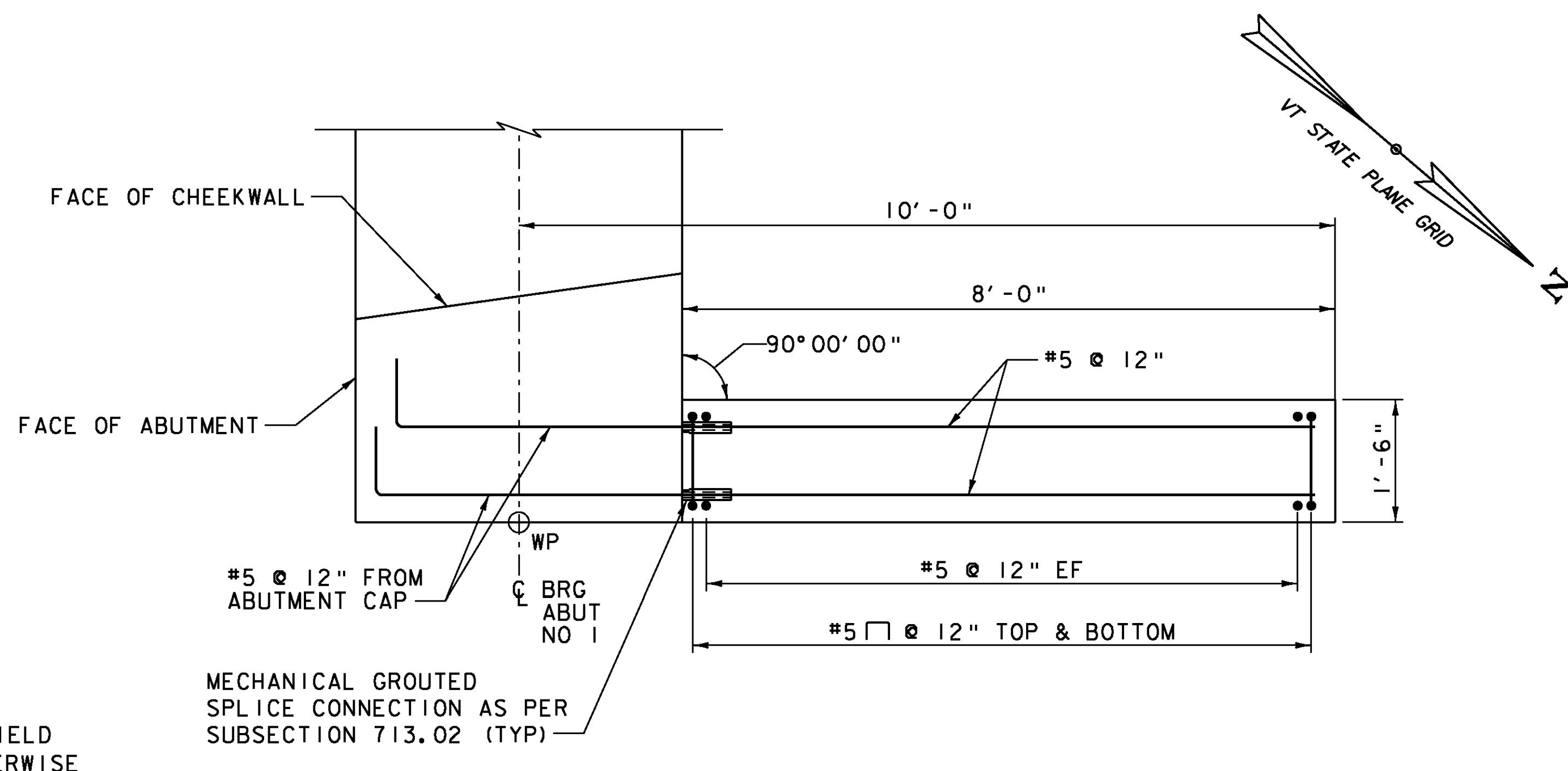
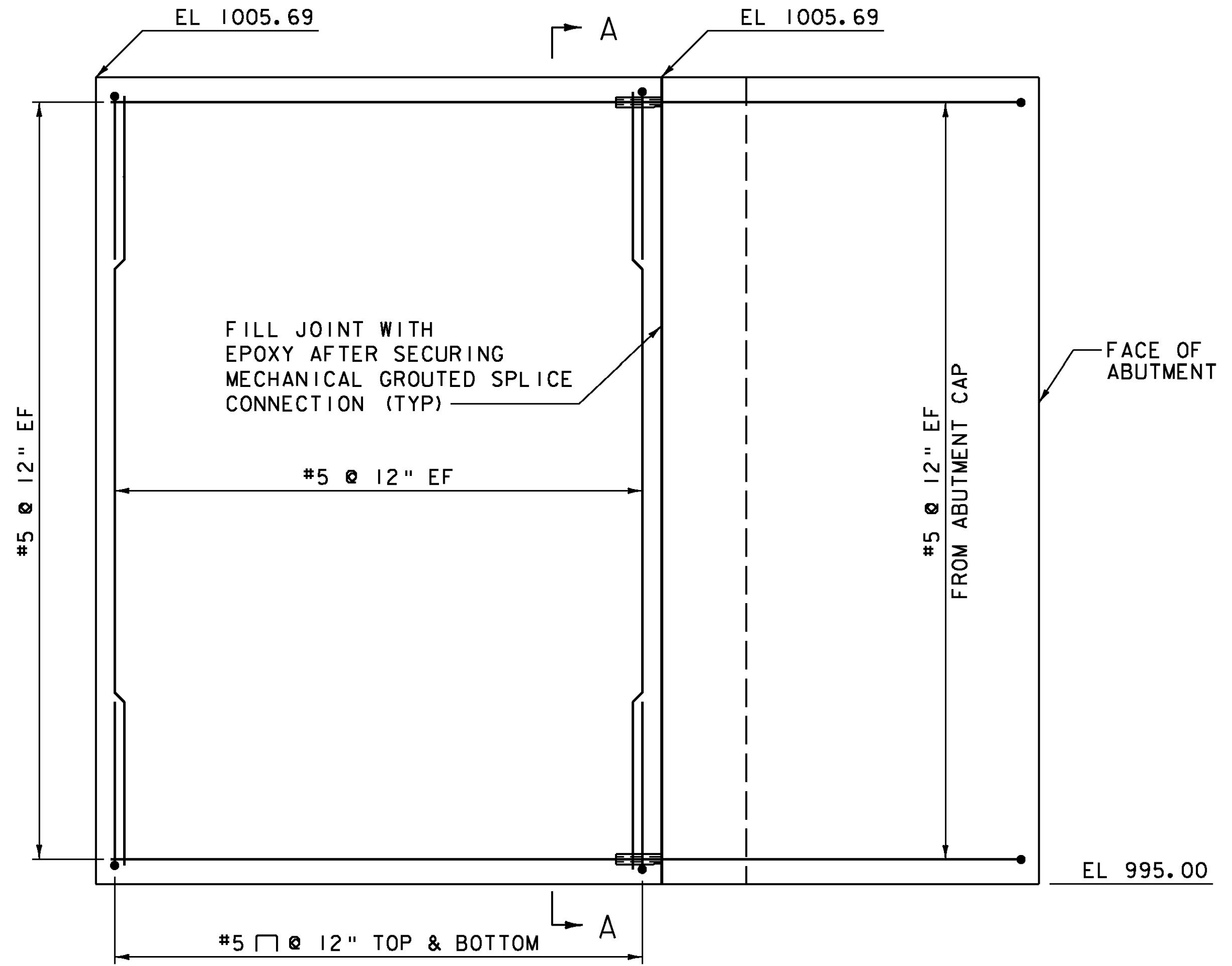


WINGWALL NO 2 PLAN
SCALE 3/4" = 1'-0"

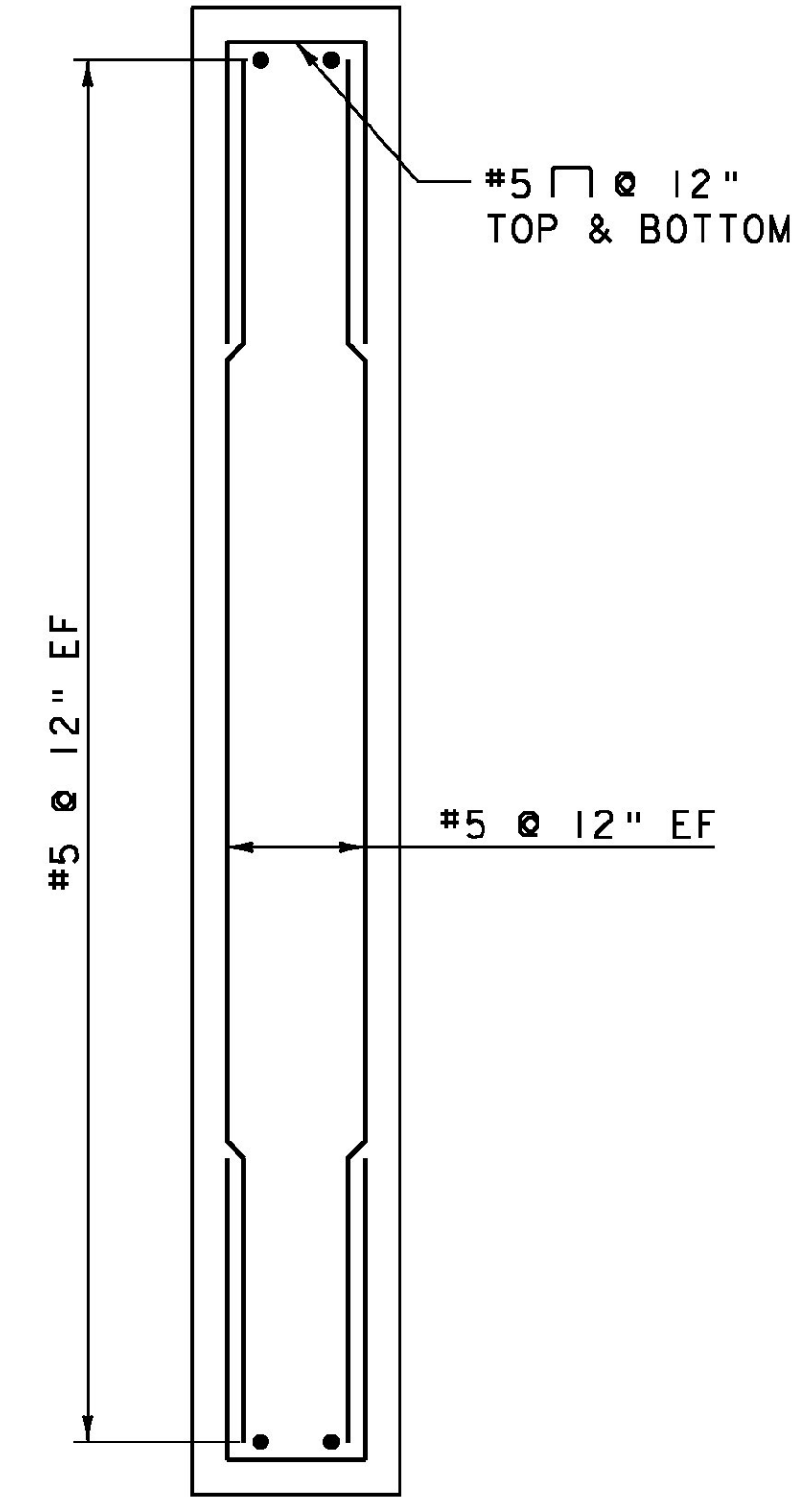


WINGWALL NO 1 PLAN
(WINGWALL NO 1 SHOWN, WINGWALL NO 4 SIMILAR, OPPOSITE HAND)
SCALE 3/4" = 1'-0"

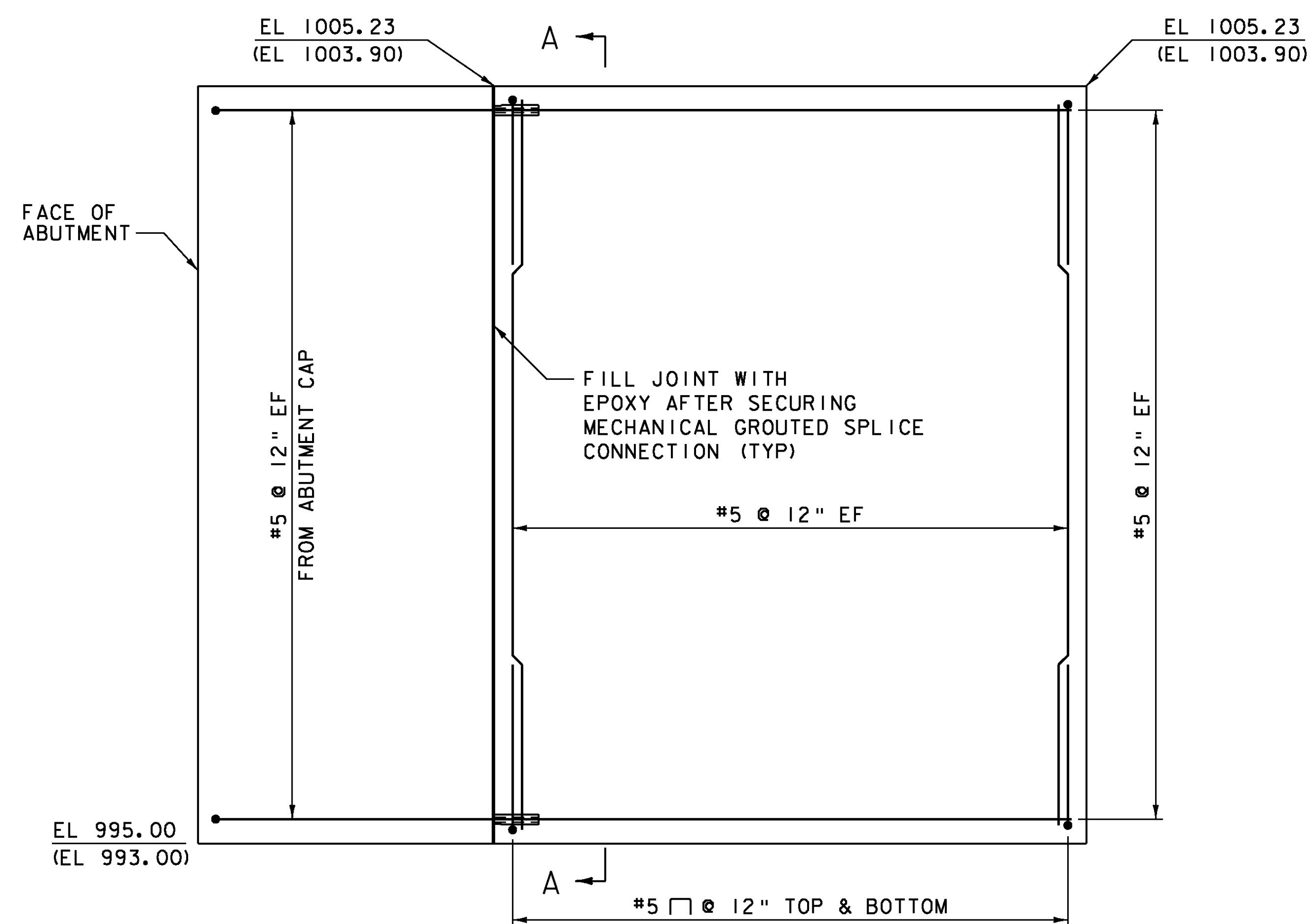
NOTE:
NF = NEAR FACE
FF = FAR FACE
EF = EACH FACE
▲ = CUT TO FIT IN FIELD
3" CLEAR, UNLESS OTHERWISE SPECIFIED ON THE PLANS.
2'-2" BAR LAP UNLESS OTHERWISE SPECIFIED ON THE PLANS.



WINGWALL NO 2 ELEVATION
SCALE 3/4" = 1'-0"



SECTION A-A
SCALE 3/4" = 1'-0"



WINGWALL NO 1 ELEVATION
(WINGWALL NO 1 SHOWN, WINGWALL NO 4 SIMILAR, OPPOSITE HAND)
(WINGWALL NO 4 ELEVATION SHOWN IN PARENTHESIS)
SCALE 3/4" = 1'-0"

NOTE: EPOXY SHALL BE INCIDENTAL TO THE PRECAST CONCRETE STRUCTURE.



PROJECT NAME:	ROCHESTER
PROJECT NUMBER:	BRF 0162(16)
FILE NAME:	z10c418sub.dgn
PROJECT LEADER:	G.S. GOODRICH
DESIGNED BY:	E.A. FIALA
BR 15 WINGWALL DETAILS (1 OF 2)	
PLOT DATE:	8/19/2013
DRAWN BY:	E.A. FIALA
CHECKED BY:	L.S. CHERVINCKY
SHEET	98 OF 238