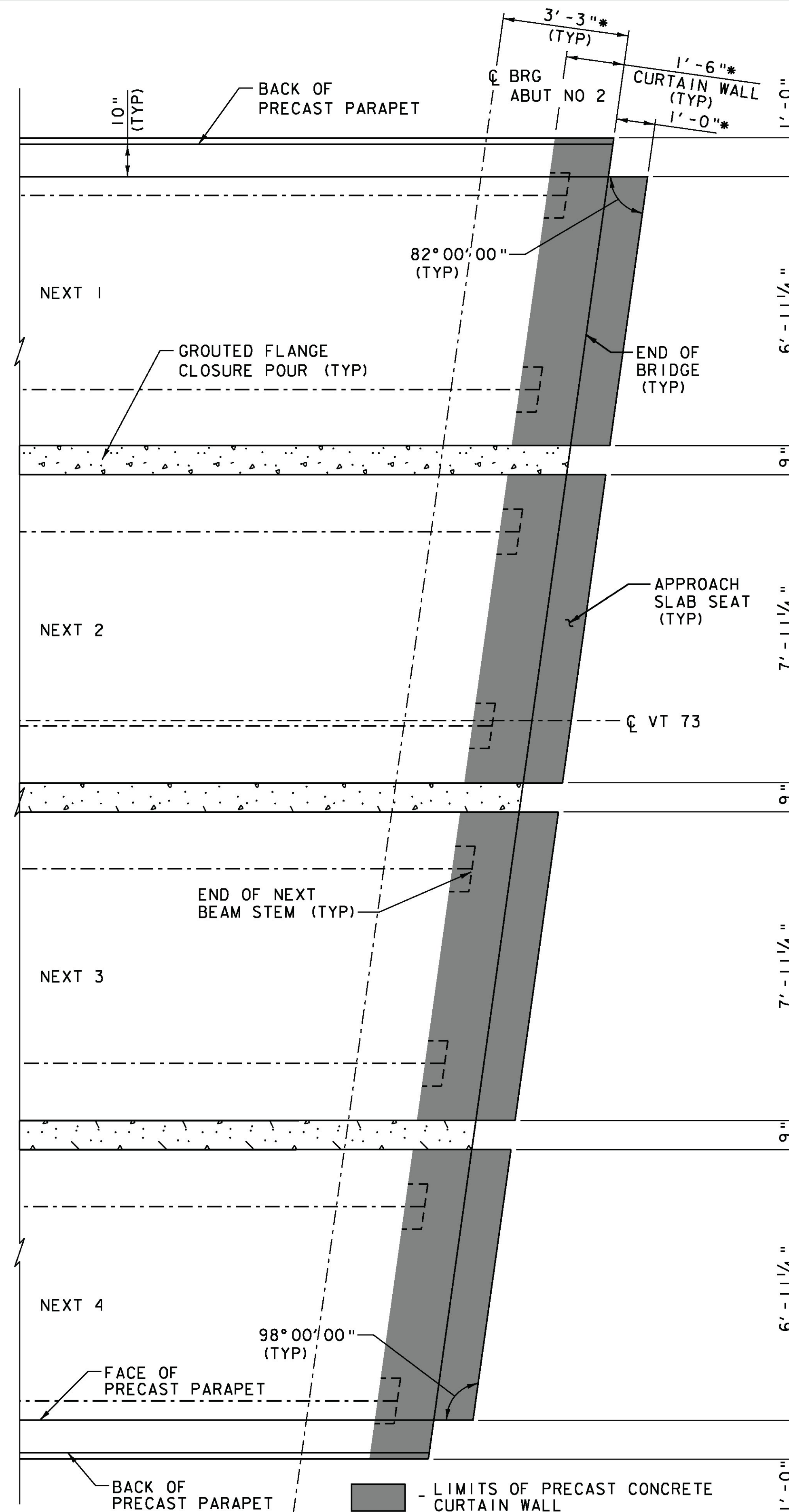
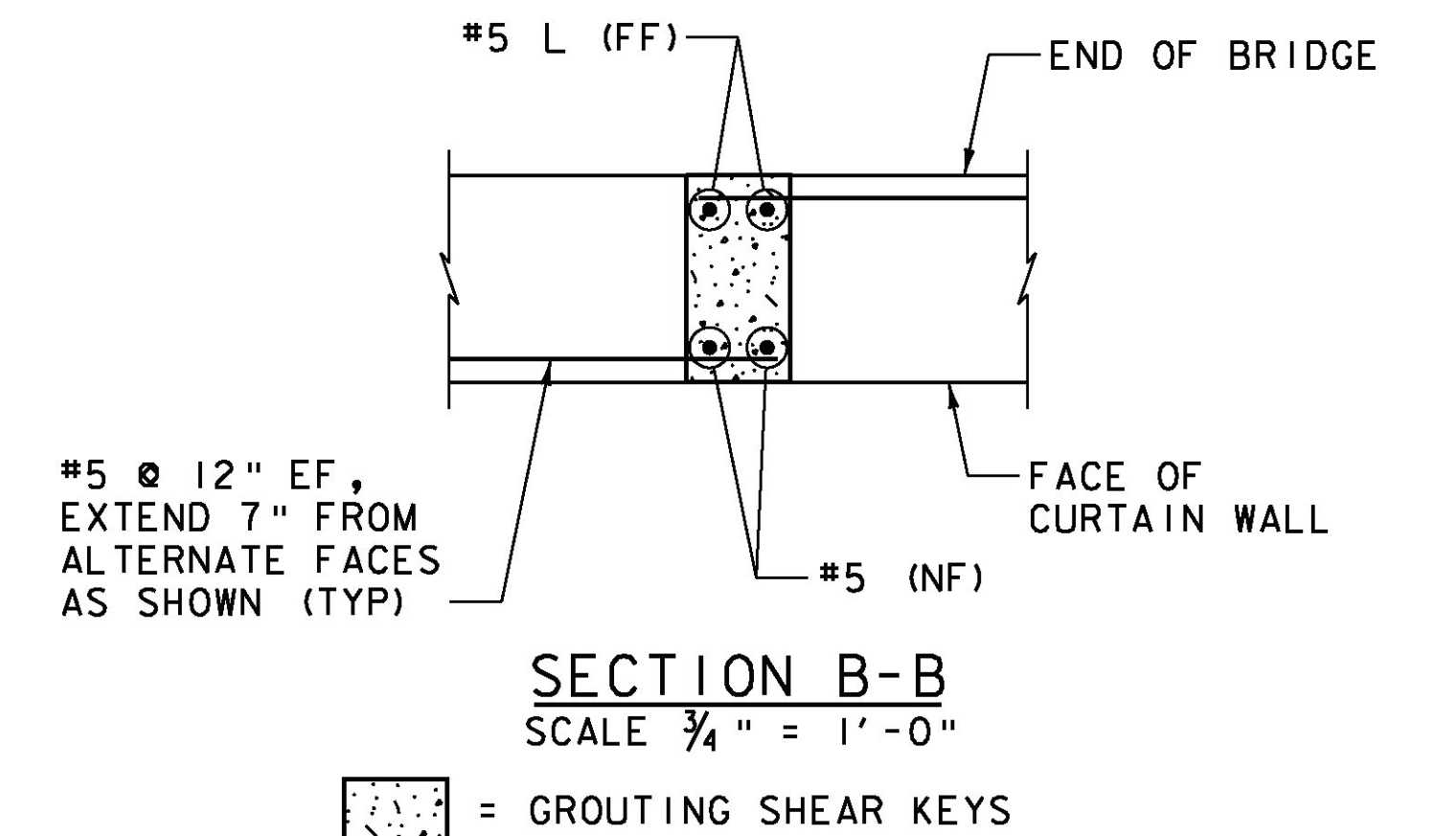
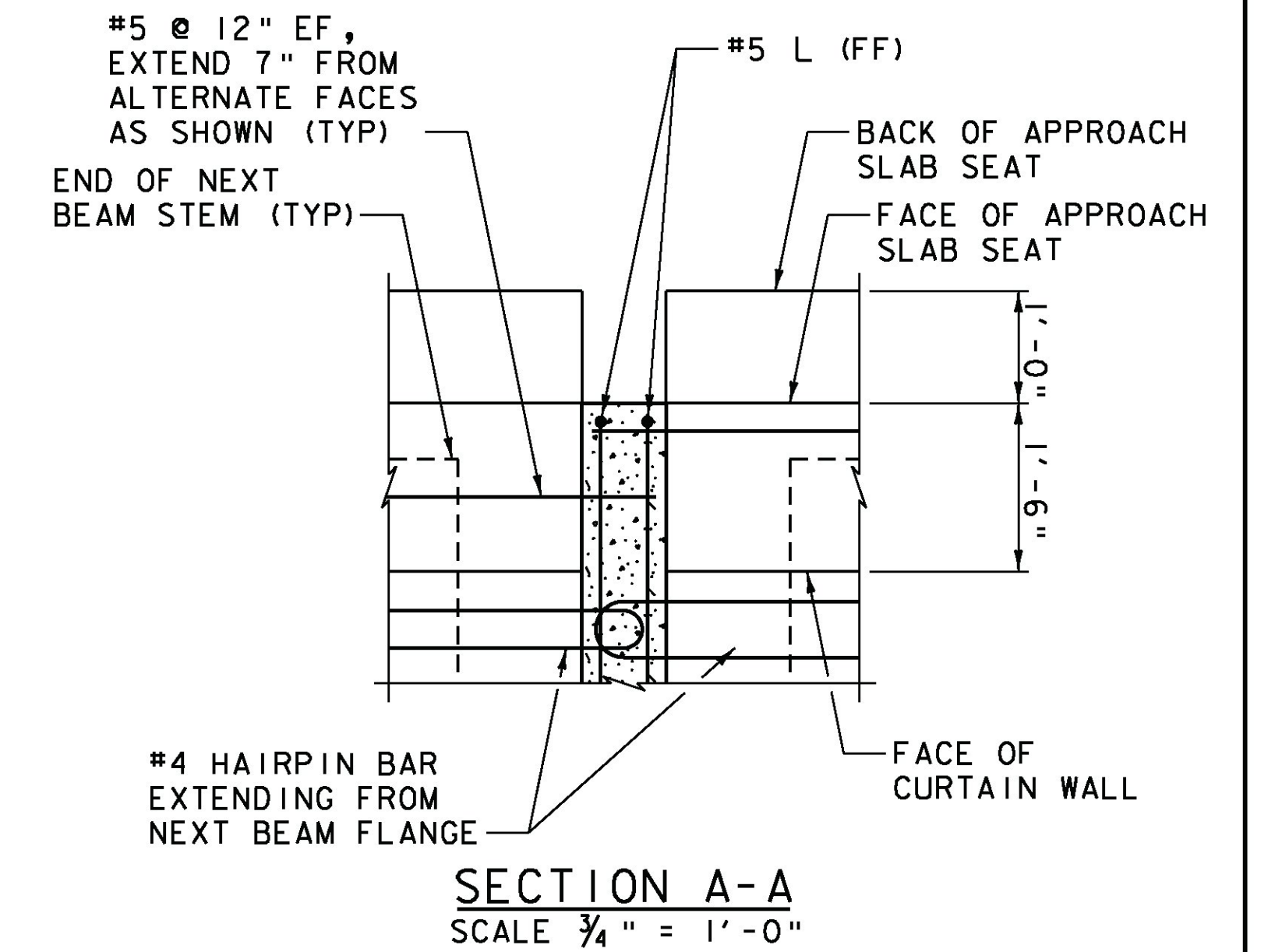
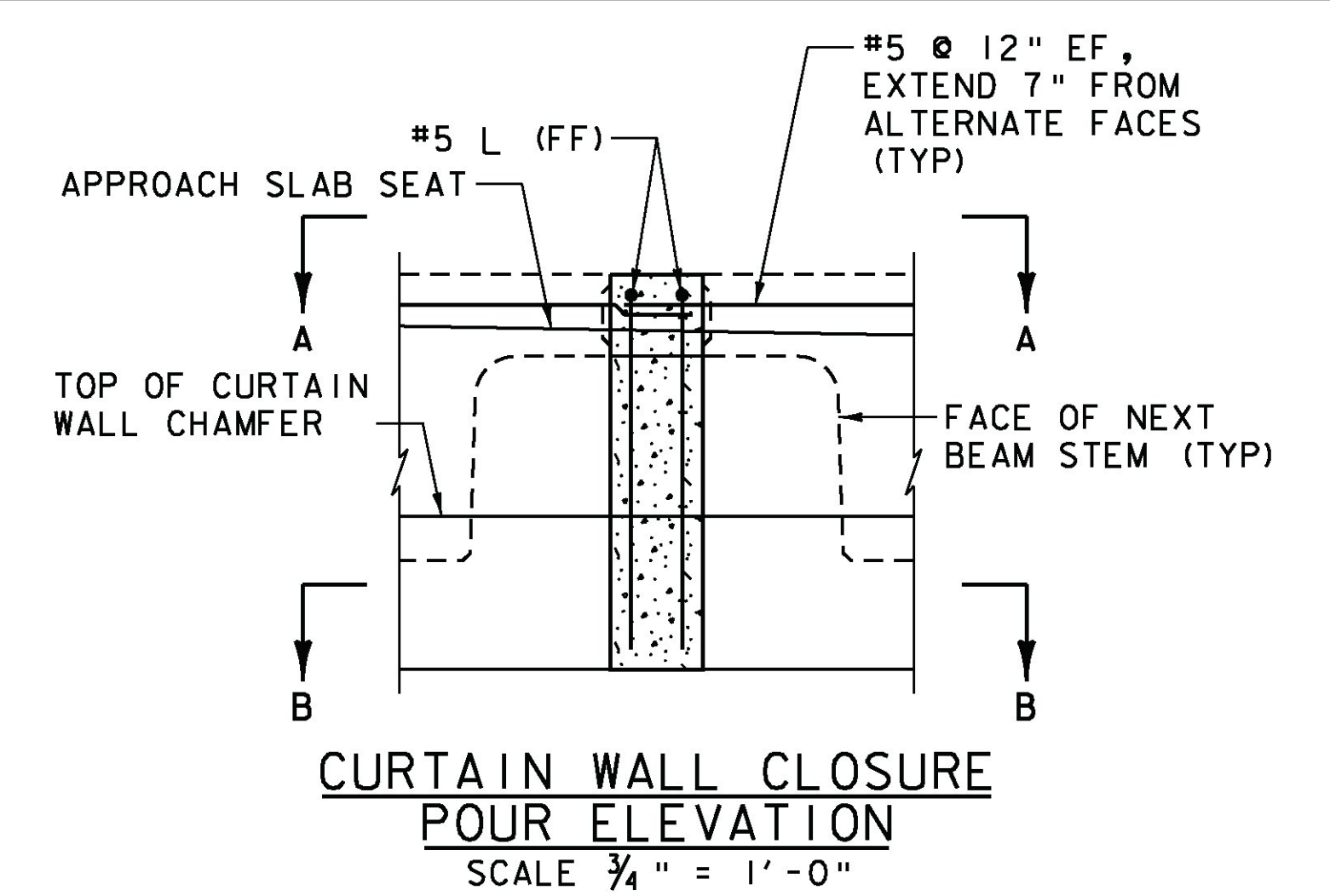


NEXT BEAM CURTAIN WALL PLAN
SCALE $\frac{1}{2}'' = 1'-0''$



- LIMITS OF PRECAST CONCRETE CURTAIN WALL
* DIMENSIONS NORMAL TO ϕ BRG



NOTES:

- SEE BR 15 CURTAIN WALL DETAIL SHEET (2 OF 2) FOR VERTICAL CURTAIN WALL DIMENSIONS AND ELEVATIONS.
- SEE BR 15 NEXT BEAM DETAILS SHEET (4 OF 4) FOR PRECAST CURTAIN WALL SECTION AND REINFORCING INFORMATION.

PROJECT NAME: ROCHESTER
PROJECT NUMBER: BRF 0162(16)

FILE NAME: z10c418sup.dgn
PROJECT LEADER: G.S. GOODRICH
DESIGNED BY: J.J. WESTCOTT
BR 15 CURTAIN WALL DETAILS (1 OF 2)

PLOT DATE: 8/19/2013
DRAWN BY: B.J. MASSE
CHECKED BY: L.S. CHERVINCKY
SHEET 89 OF 238