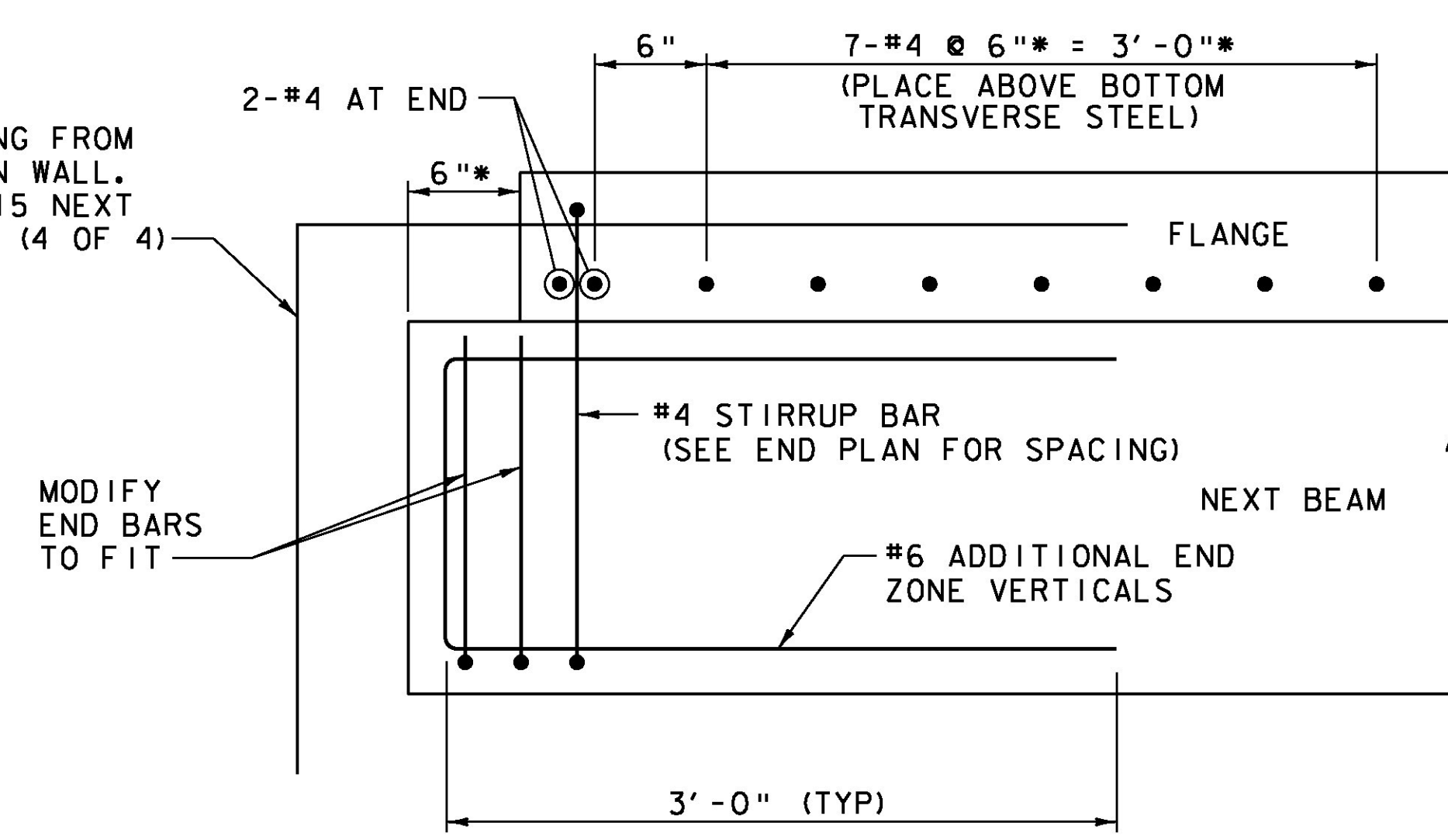


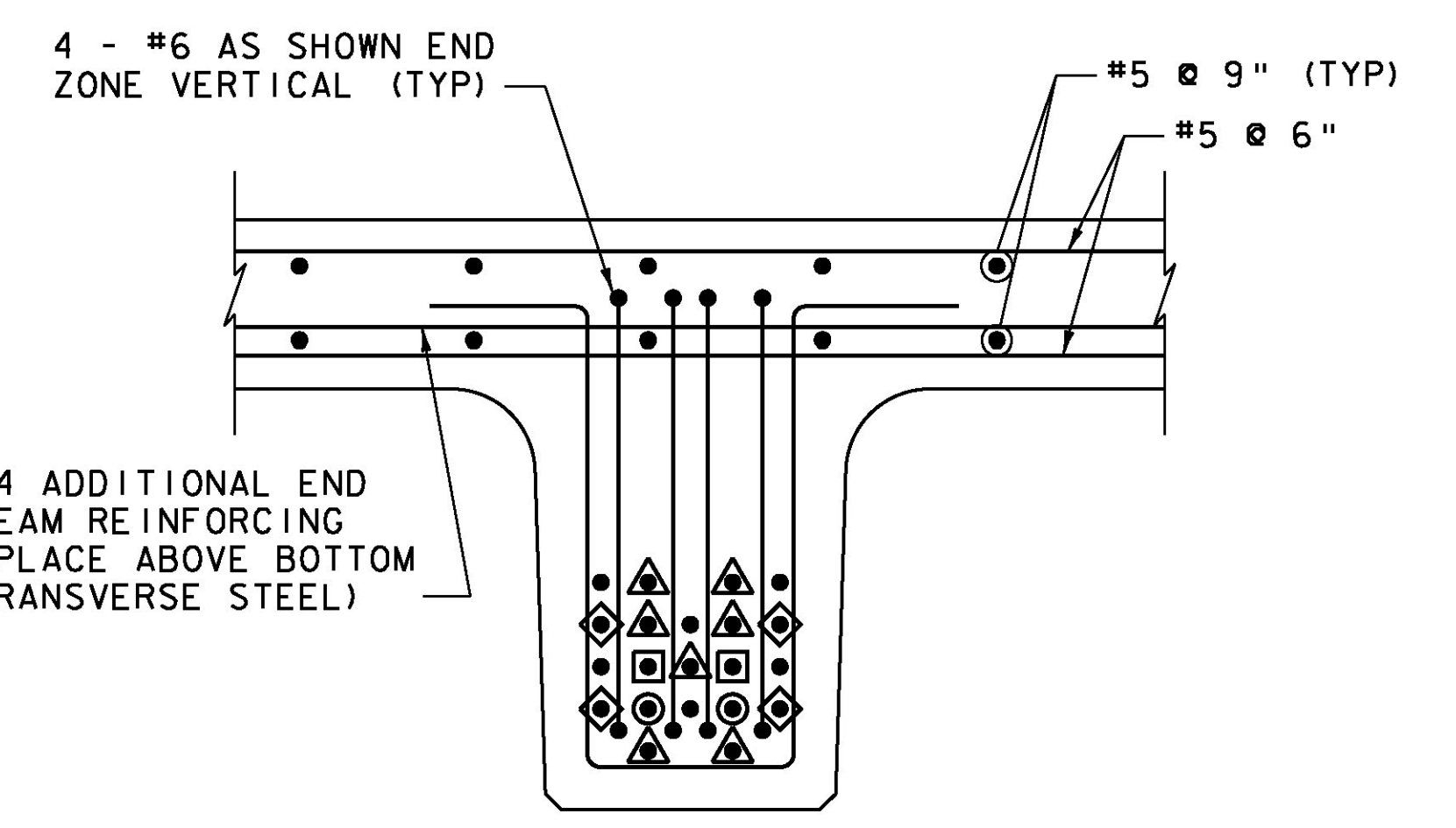
NEXT 1 & 4
 (BEAM 1 SHOWN, BEAM 4 HAS PARAPET OPPOSITE HAND)
 SCALE 1/2" = 1'-0"
 (SEE FLARED END DETAILS ON NEXT BEAM DETAILS SHEET 3 OF 4 FOR DETAILS OF FIRST 10 FEET OF BEAM 4)

#5 Γ @ 12" EXTENDING FROM FLANGE INTO CURTAIN WALL. SEE DETAILS ON BR 15 NEXT BEAM DETAILS SHEET (4 OF 4)



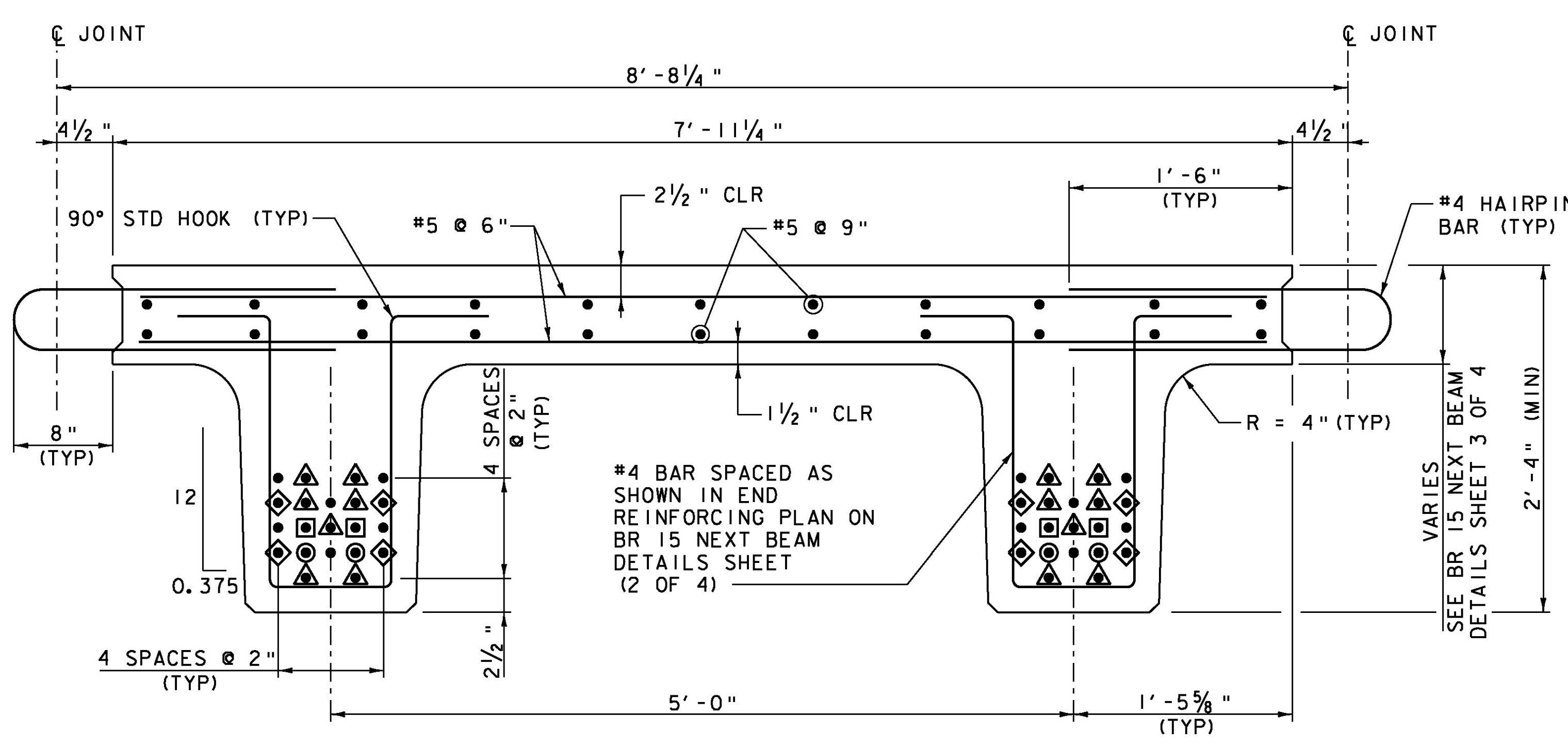
NOTE: BARS IN FLANGE OMITTED FOR CLARITY
ADDITIONAL END BEAM REINFORCING LONGITUDINAL SECTION
 (* DIMENSIONS ARE NORMAL TO \bar{C} BRG)
 SCALE 1/2" = 1'-0"

- - DEBONDED 10'
- ◻ - DEBONDED 8'
- ▲ - DEBONDED 6"
- ◇ - 1'-6" STRAND CUT LONG



END SECTION
 SCALE 1/2" = 1'-0"

NOTE:
 NF = NEAR FACE
 FF = FAR FACE
 EF = EACH FACE
 ▲ = CUT TO FIT IN FIELD
 3" CLEAR, UNLESS OTHERWISE SPECIFIED ON THE PLANS.
 2'-2" BAR LAP UNLESS OTHERWISE SPECIFIED ON THE PLANS.



NEXT 2 & 3
 SCALE 1/2" = 1'-0"

NOTE:

1. LEAVE FOUR STRANDS 1'-6" LONG AS SHOWN ON BR 15 NEXT BEAM DETAILS SHEET (4 OF 4).

PROJECT NAME: ROCHESTER	
PROJECT NUMBER: BRF 0162(16)	
FILE NAME: z10c418sup.dgn	PLOT DATE: 8/19/2013
PROJECT LEADER: G.S. GOODRICH	DRAWN BY: B.J. MASSE
DESIGNED BY: J.J. WESTCOTT	CHECKED BY: L.S. CHERVINCKY
BR 15 NEXT BEAM DETAILS (1 OF 4)	SHEET 85 OF 238

