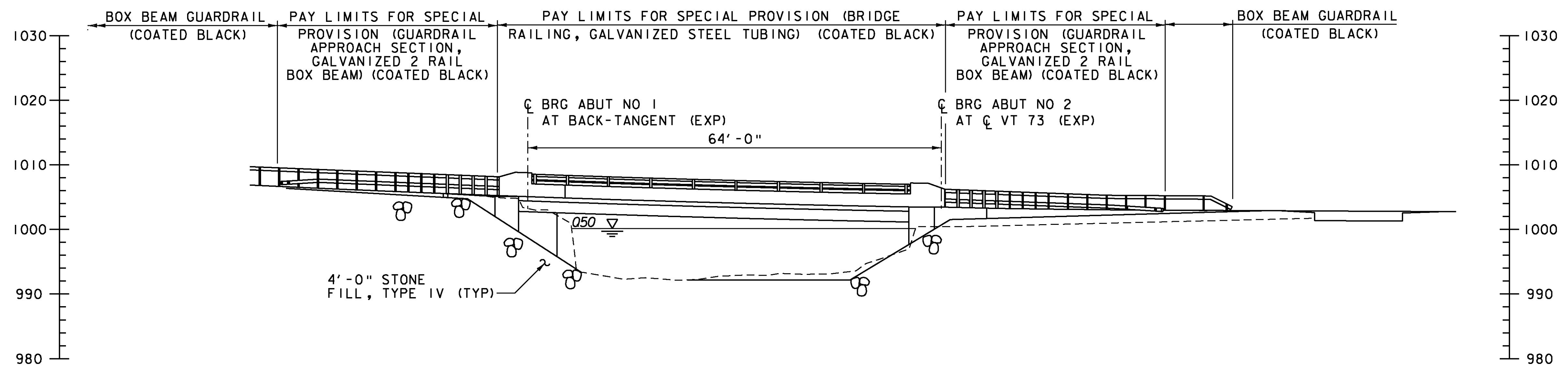


PLAN
 SCALE 1" = 10'-0"

NOTE:

1. BEGIN BRIDGE IS ALONG THE BACK TANGENT OF CURVE NO 1, AT THE INTERSECTION OF THE APPROACH SLAB SEAT.



ELEVATION
 SCALE 1" = 10'-0"

PROJECT NAME: ROCHESTER
 PROJECT NUMBER: BRF 0162(16)

FILE NAME: z10c418pe.dgn
 PROJECT LEADER: G.S. GOODRICH
 DESIGNED BY: G.S. GOODRICH
 BR 15 PLAN AND ELEVATION (BRIDGE)

PLOT DATE: 8/19/2013
 DRAWN BY: J.L. LEMIEUX
 CHECKED BY: S.E. BURBANK
 SHEET 83 OF 238

