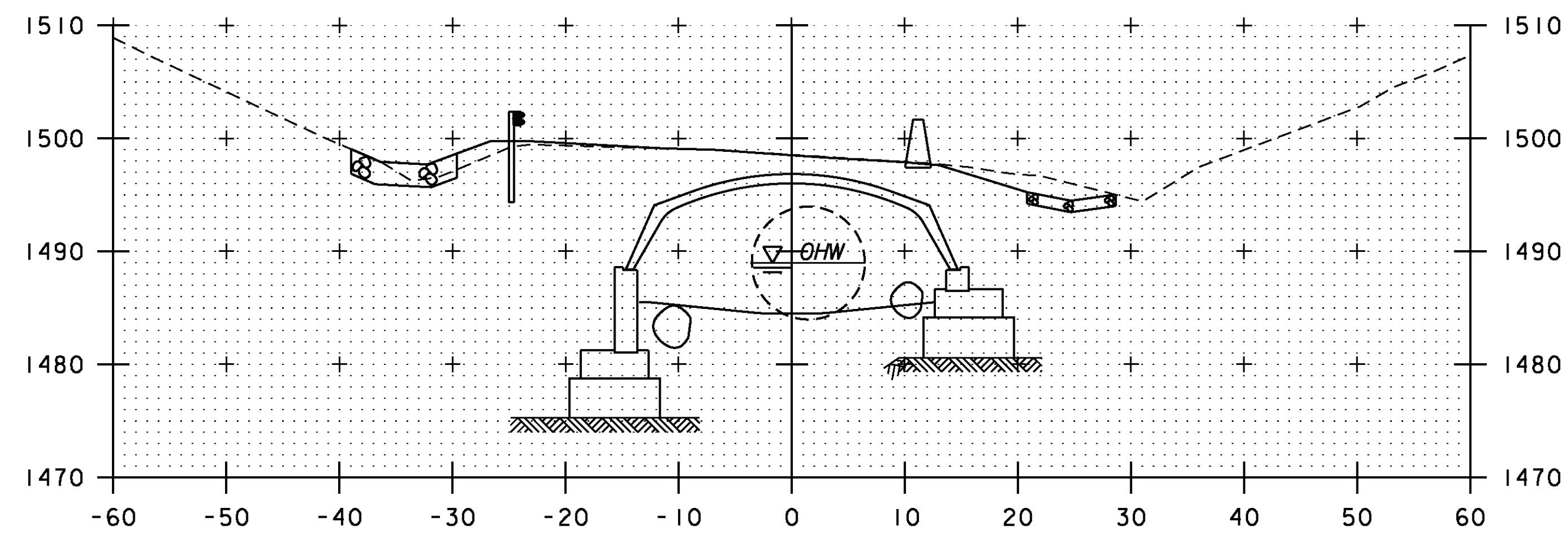
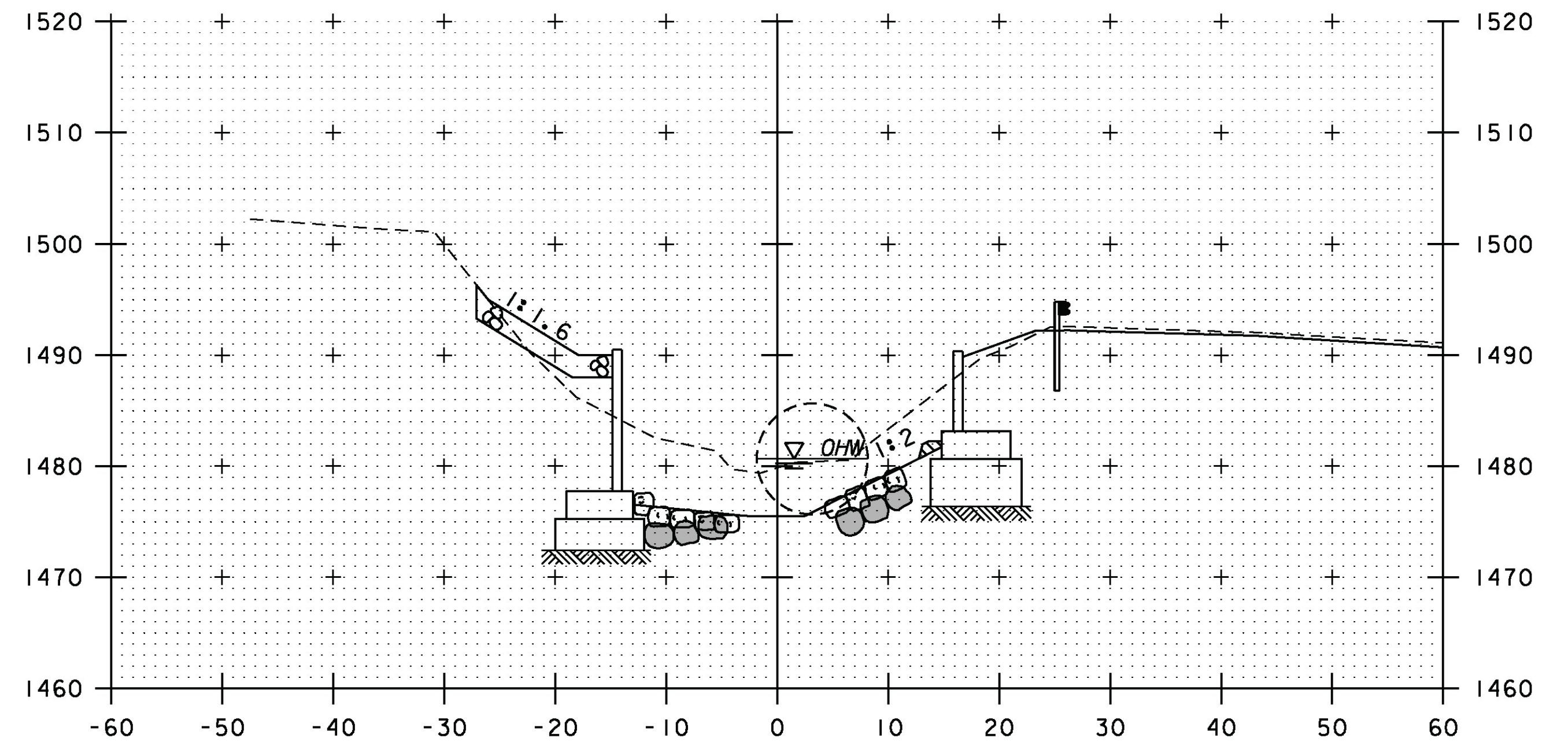


13+00



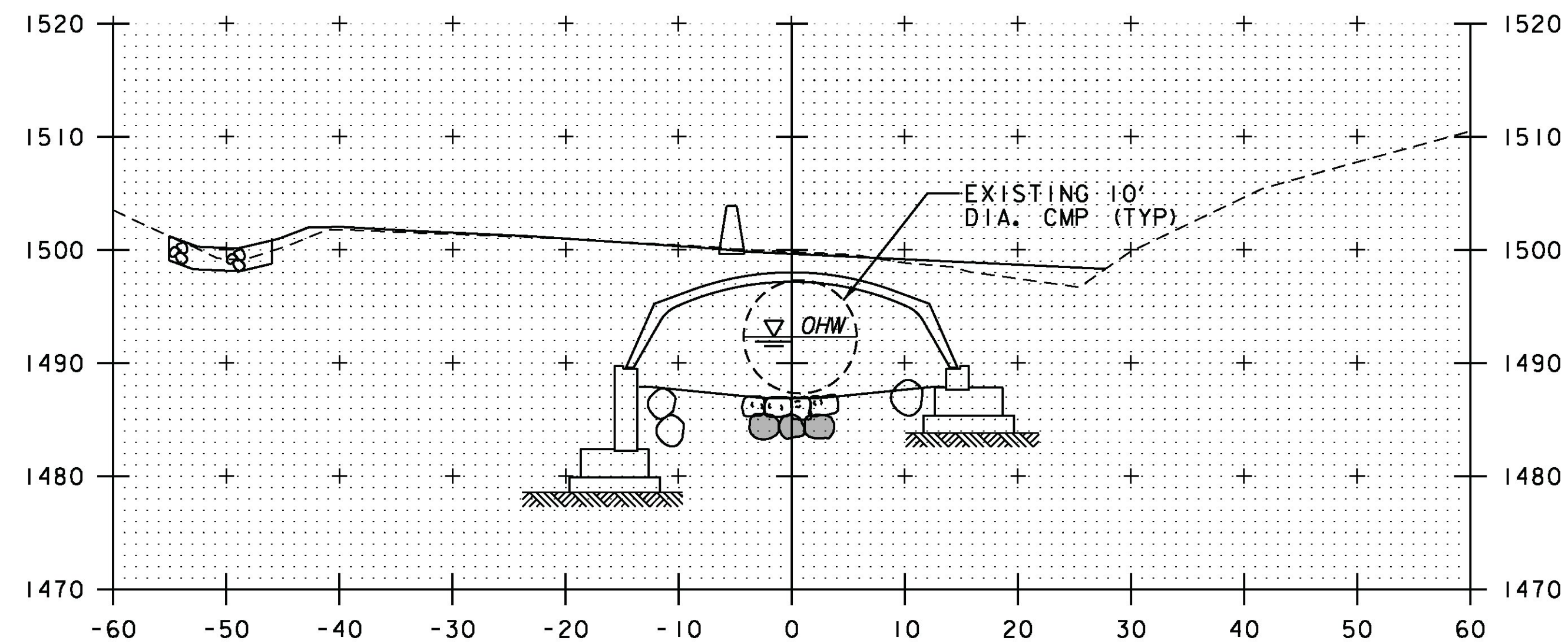
12+75



13+50

STA 13+43, LT
BEGIN UNCLASSIFIED CHANNEL EXCAVATION

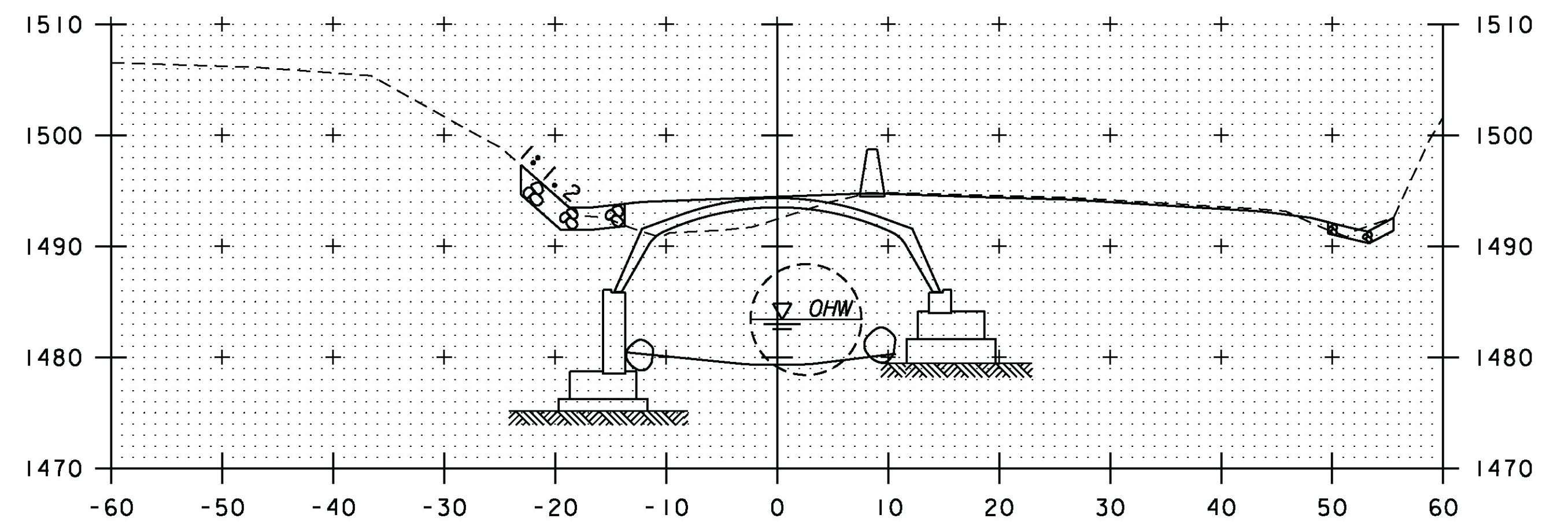
STA 13+43, RT
BEGIN UNCLASSIFIED CHANNEL EXCAVATION
GEOTEXTILE UNDER STONE FILL
GRUBBING MATERIAL
END BANKLINE STONE



12+50

STA 12+30, LT
END UNCLASSIFIED CHANNEL EXCAVATION
GEOTEXTILE UNDER STONE FILL
GRUBBING MATERIAL
START BANKLINE STONE

STA 12+33, RT
END UNCLASSIFIED CHANNEL EXCAVATION
GEOTEXTILE UNDER STONE FILL
GRUBBING MATERIAL
START BANKLINE STONE



13+25

CHANNEL CROSS SECTIONS
STA 12+50 TO STA 13+50



PROJECT NAME: ROCHESTER
PROJECT NUMBER: ER STP 0162(19)

FILE NAME: zilc334xsl.dgn
PROJECT LEADER: S.E. BURBANK
DESIGNED BY: R.A. WILDEY
BR 13 CHANNEL CROSS SECTIONS (2 OF 3)

PLOT DATE: 8/19/2013
DRAWN BY: E.A. FIALA
CHECKED BY: G.S. GOODRICH
SHEET 51 OF 238