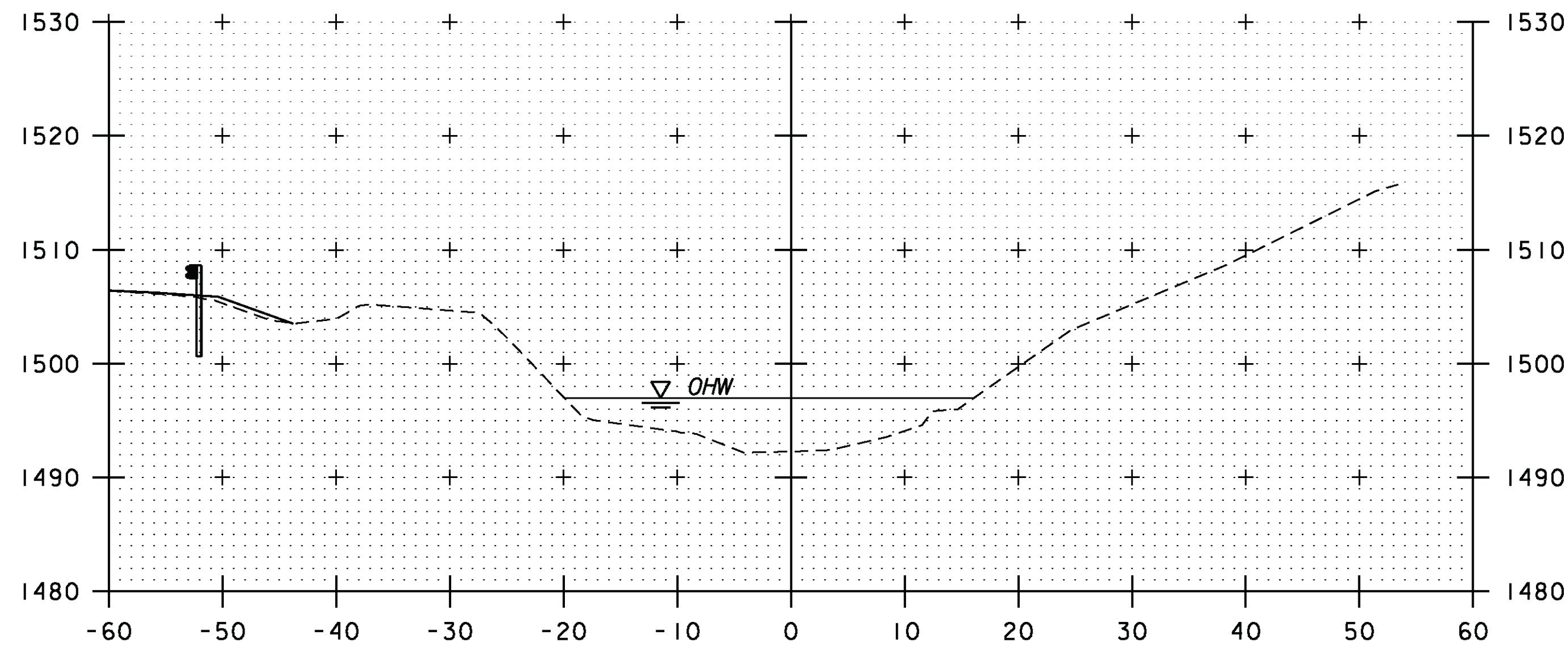
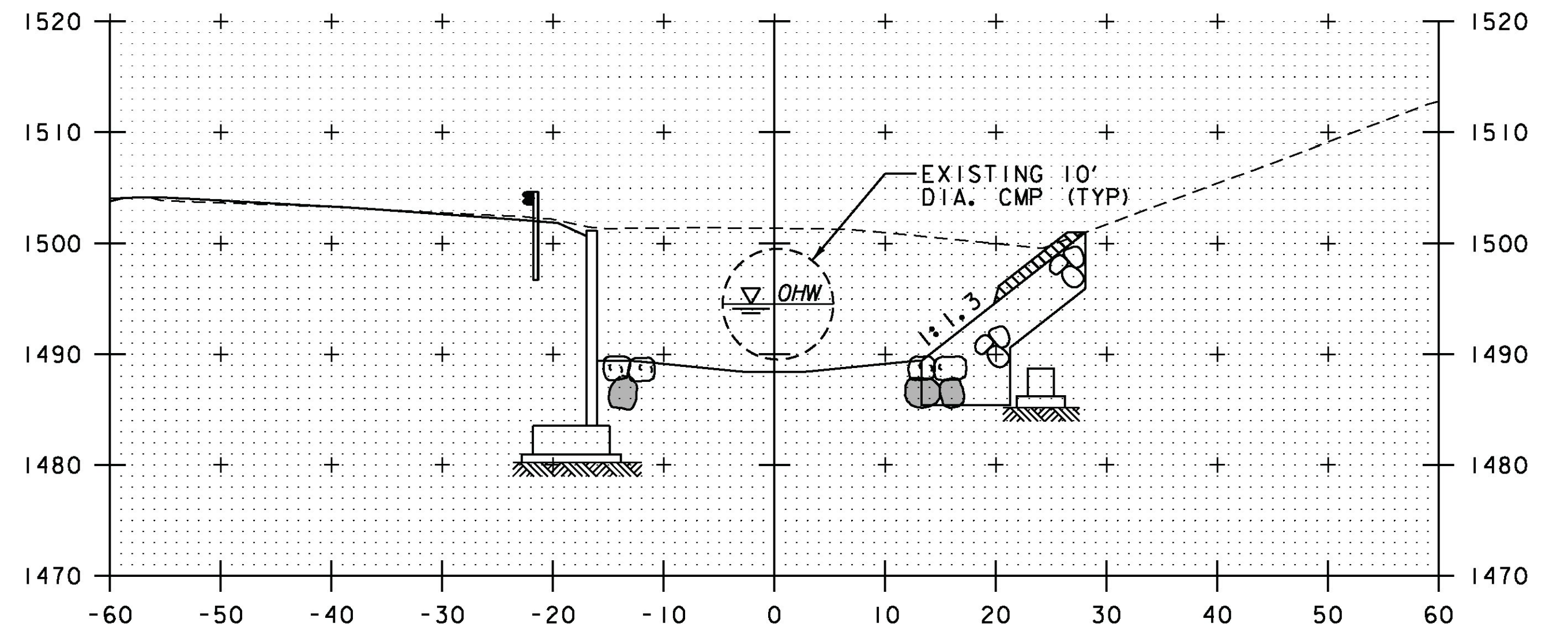


STA 11+97, LT
 BEGIN UNCLASSIFIED CHANNEL EXCAVATION
 GEOTEXTILE UNDER STONE FILL
 STONE FILL, TYPE IV
 GRUBBING MATERIAL

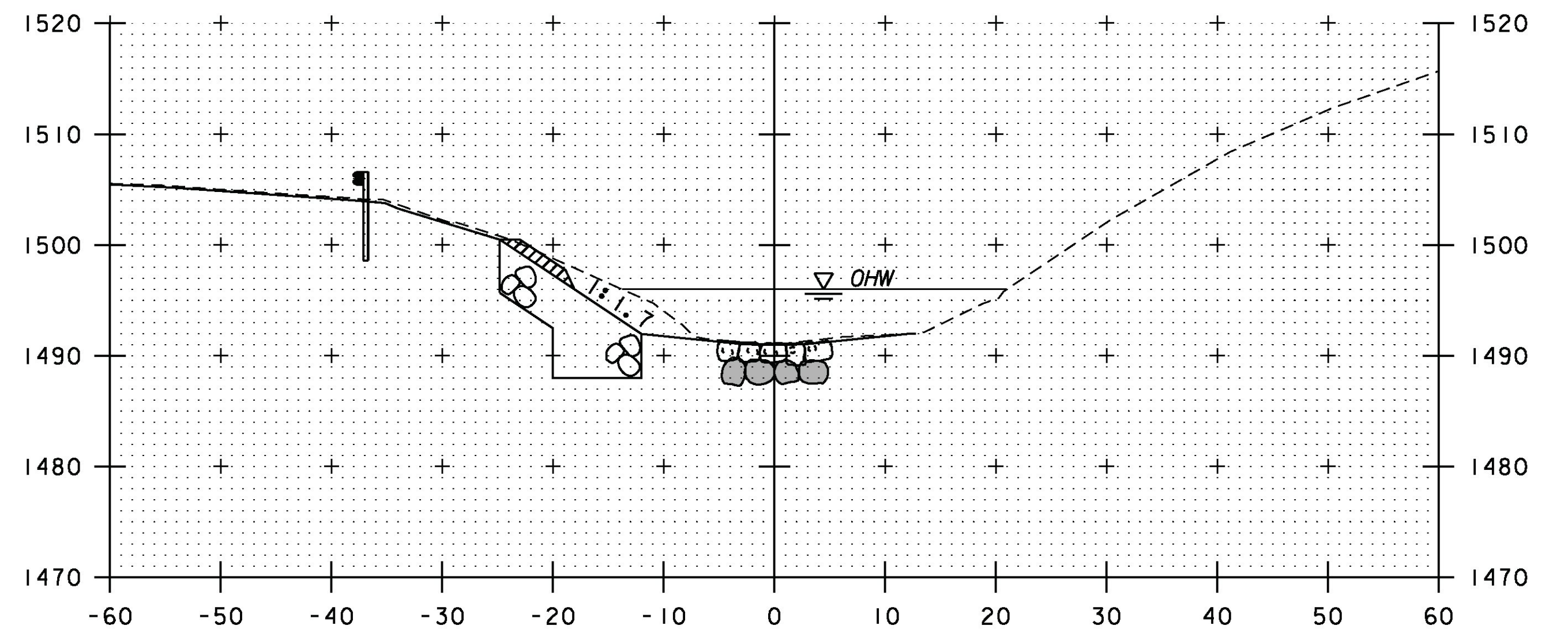


11+75



12+25

STA 12+01, RT
 BEGIN UNCLASSIFIED CHANNEL EXCAVATION
 GEOTEXTILE UNDER STONE FILL
 STONE FILL, TYPE IV
 GRUBBING MATERIAL



12+00

STA 12+00, LT & RT
 BEGIN SPECIAL PROVISION (STONE
 FILL, CHANNEL FLOW LINE)

CHANNEL CROSS SECTIONS
 STA 11+75 TO STA 12+25



| | | | |
|---------------------------------------|-----------------|-------------|---------------|
| PROJECT NAME: | ROCHESTER | PLOT DATE: | 8/19/2013 |
| PROJECT NUMBER: | ER STP 0162(19) | DRAWN BY: | E.A. FIALA |
| FILE NAME: | zllc334xsl.dgn | CHECKED BY: | G.S. GOODRICH |
| PROJECT LEADER: | S.E. BURBANK | | |
| DESIGNED BY: | R.A. WILDEY | | |
| BR 13 CHANNEL CROSS SECTIONS (1 OF 3) | | SHEET | 50 OF 238 |