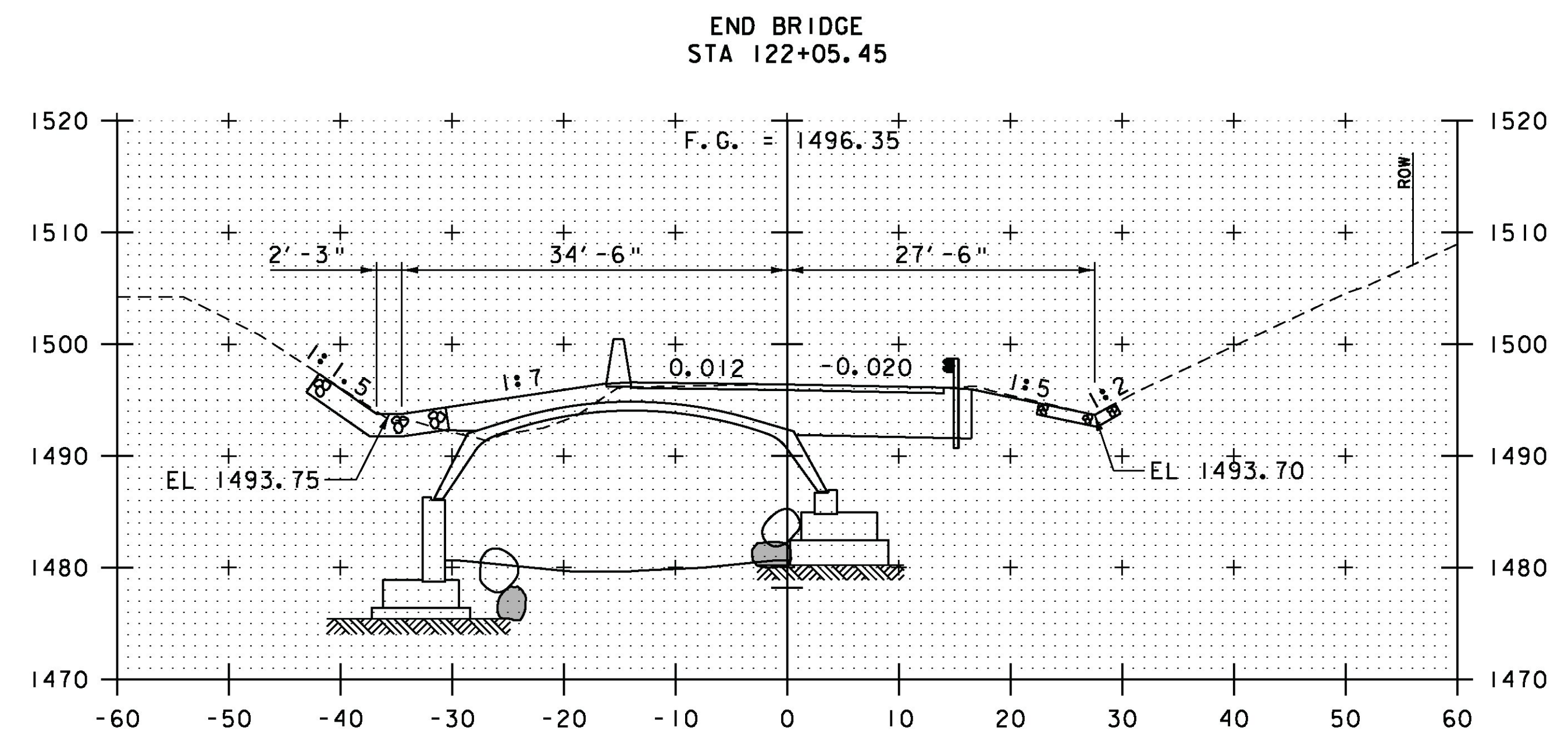
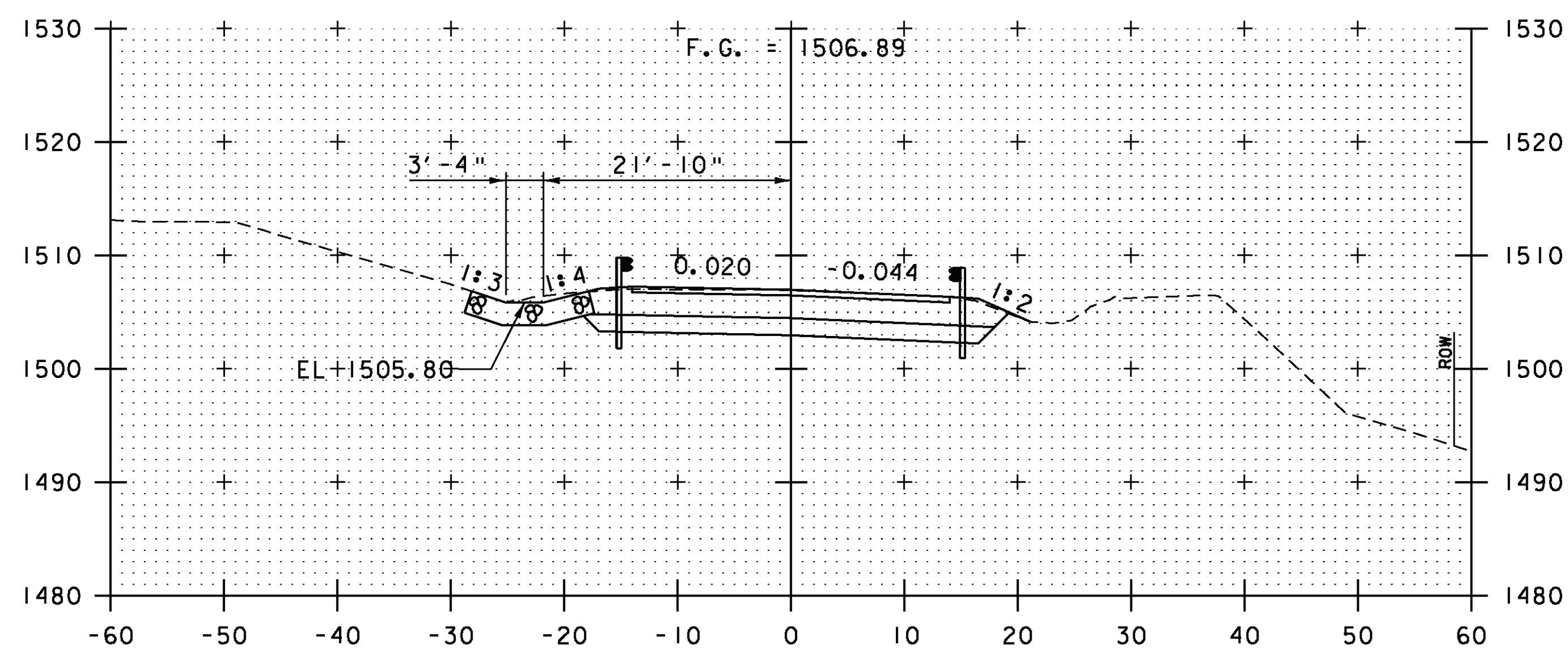


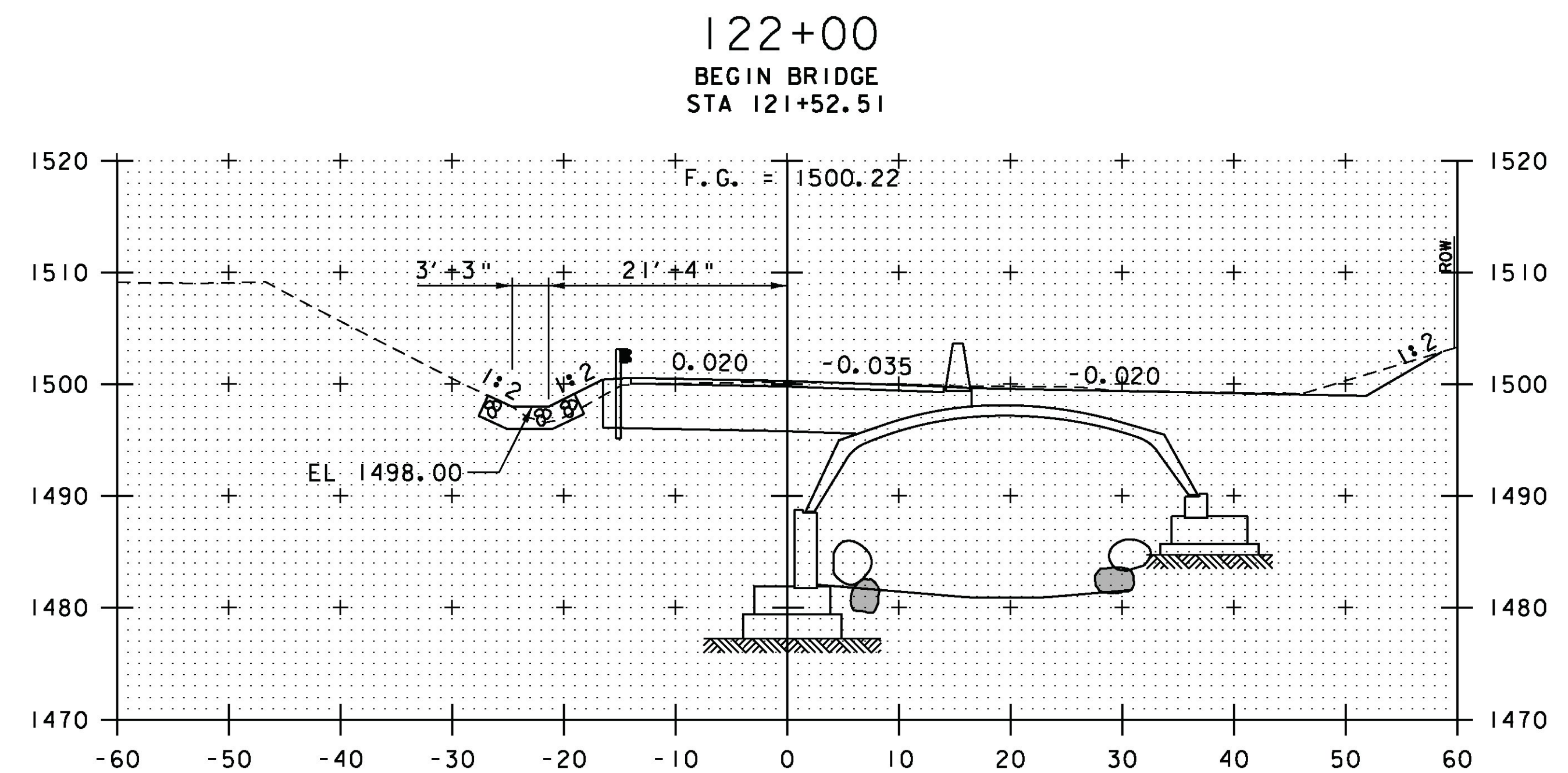
121+00



122+00



120+50
BEGIN PROJECT
STA 120+50



121+50

VT 73 CROSS SECTIONS
STA 120+50 TO STA 122+00



PROJECT NAME:	ROCHESTER	PLOT DATE:	8/19/2013
PROJECT NUMBER:	ER STP 0162(19)	DRAWN BY:	C.L. CILLEY
FILE NAME:	zllc334xsl.dgn	DESIGNED BY:	C.L. CILLEY
PROJECT LEADER:	S.E. BURBANK	CHECKED BY:	D.M. PECK
BR 13 VT 73 CROSS SECTIONS (2 OF 4)		SHEET 47 OF 238	