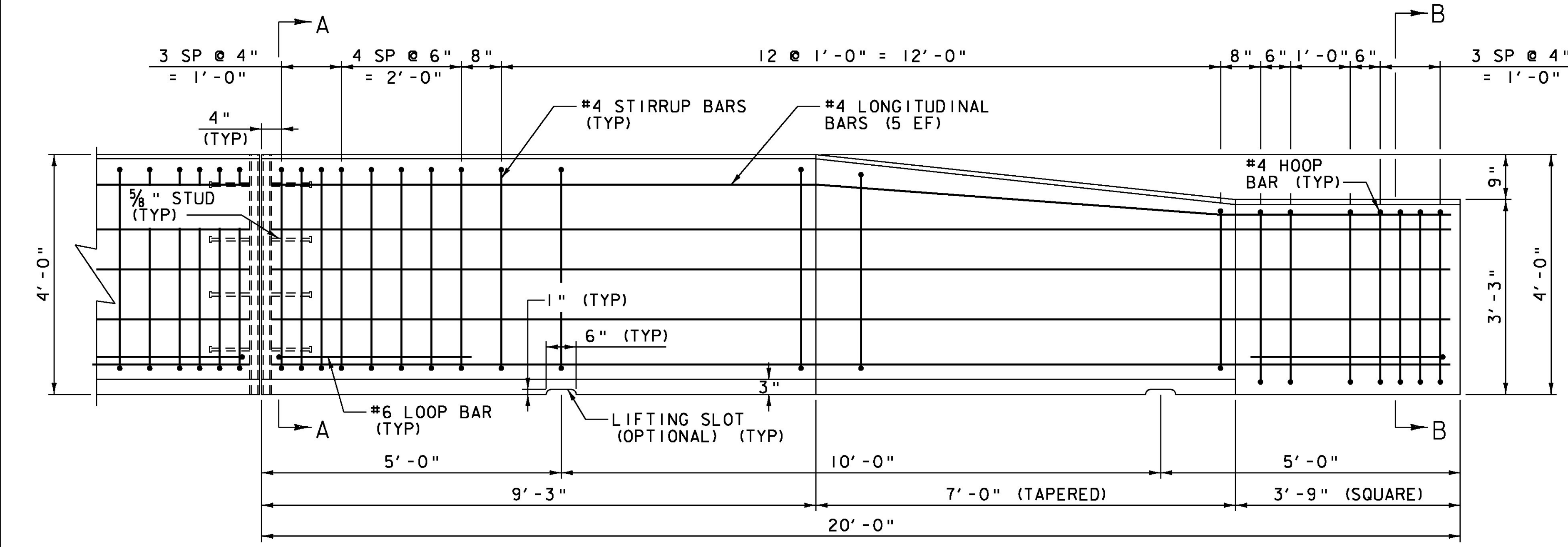
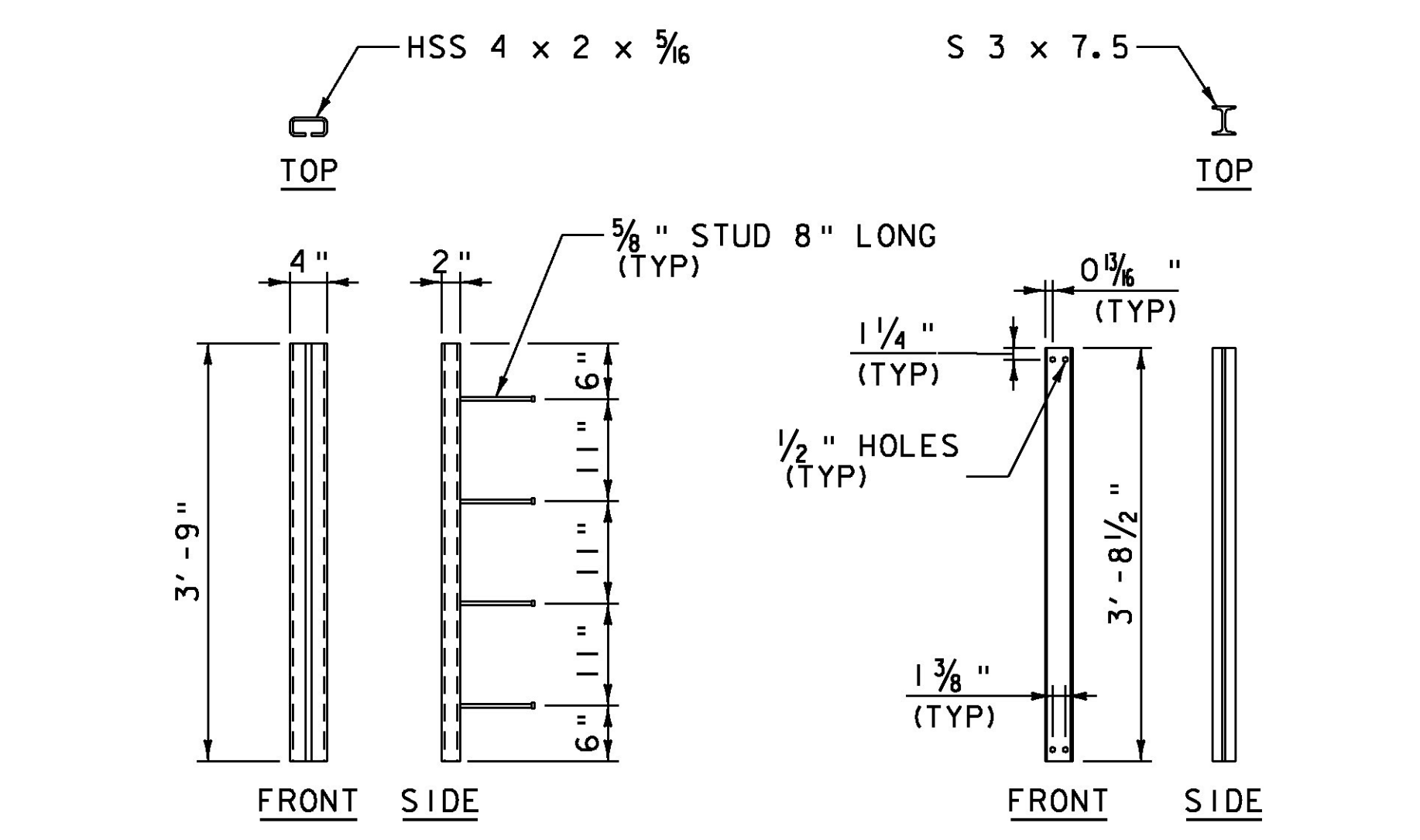


PLAN
SCALE 3/4" = 1'-0"

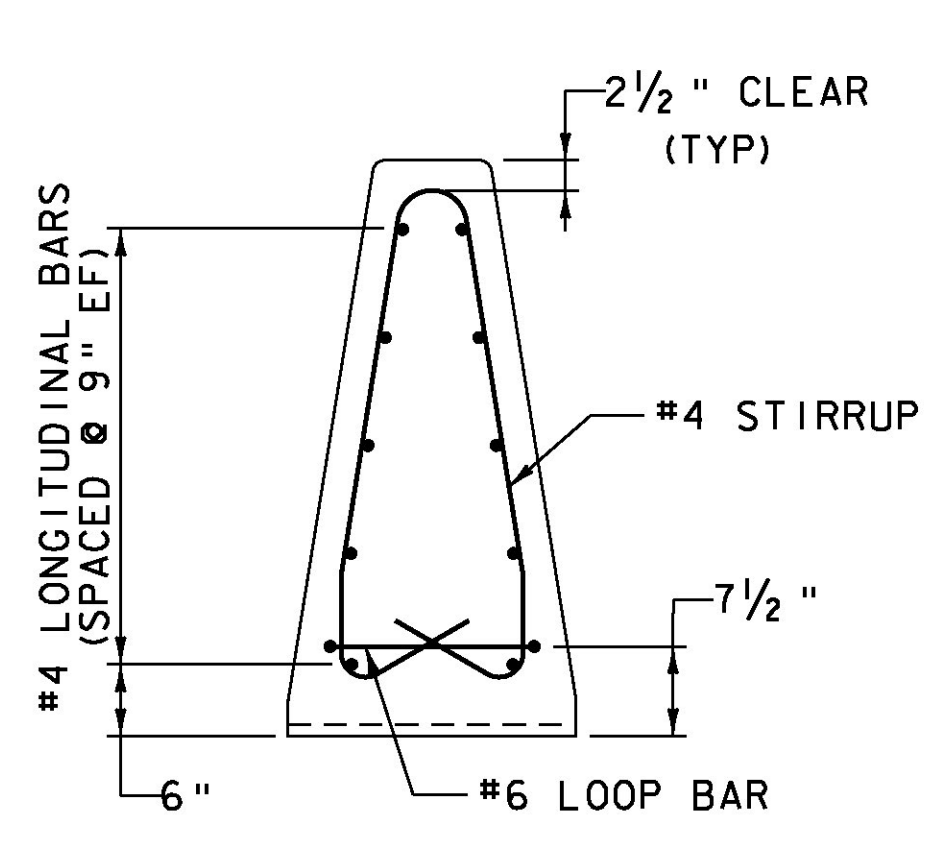


ELEVATION
SCALE 3/4" = 1'-0"

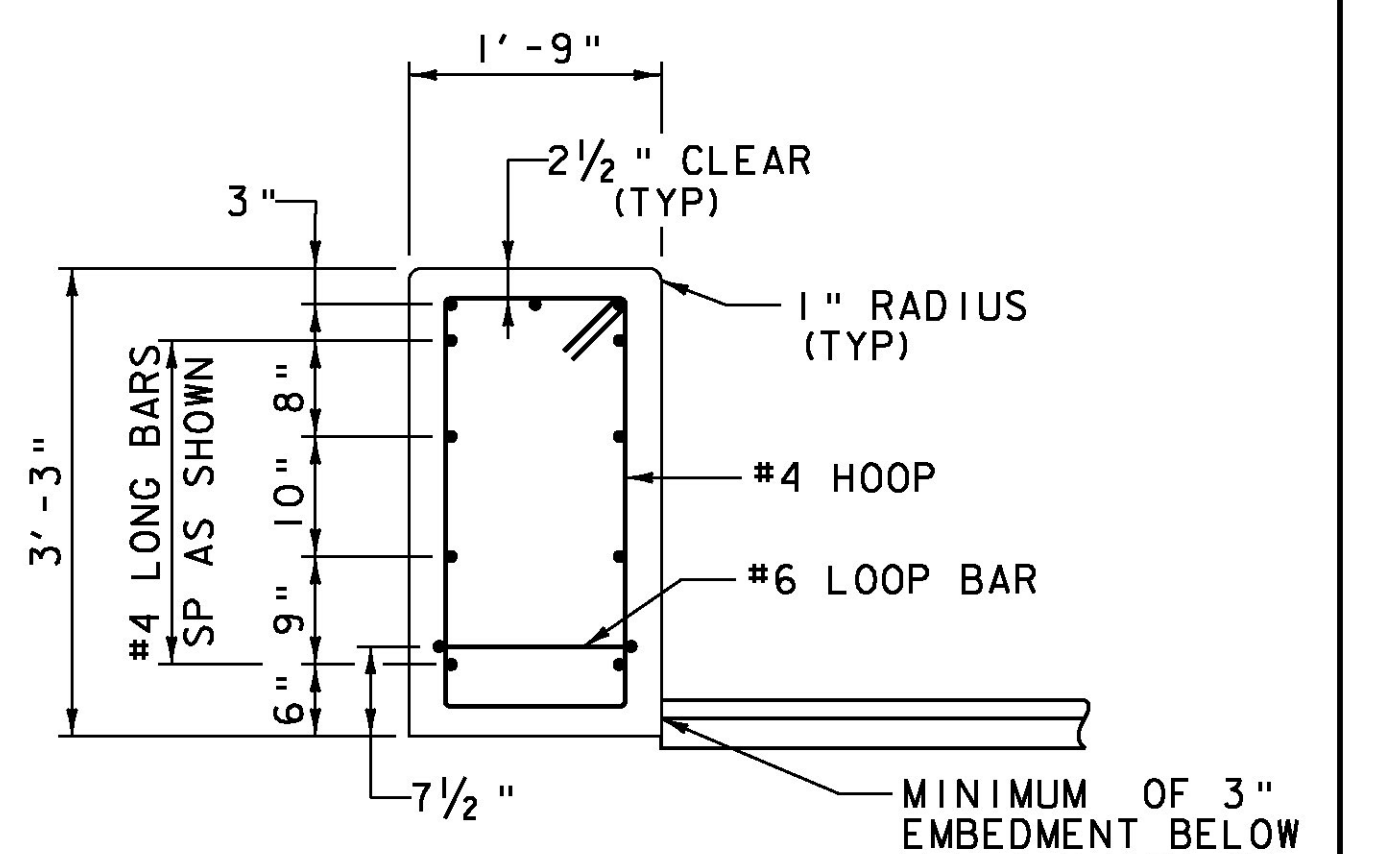


STRUCTURAL TUBE DETAILS
SCALE 3/4" = 1'-0"

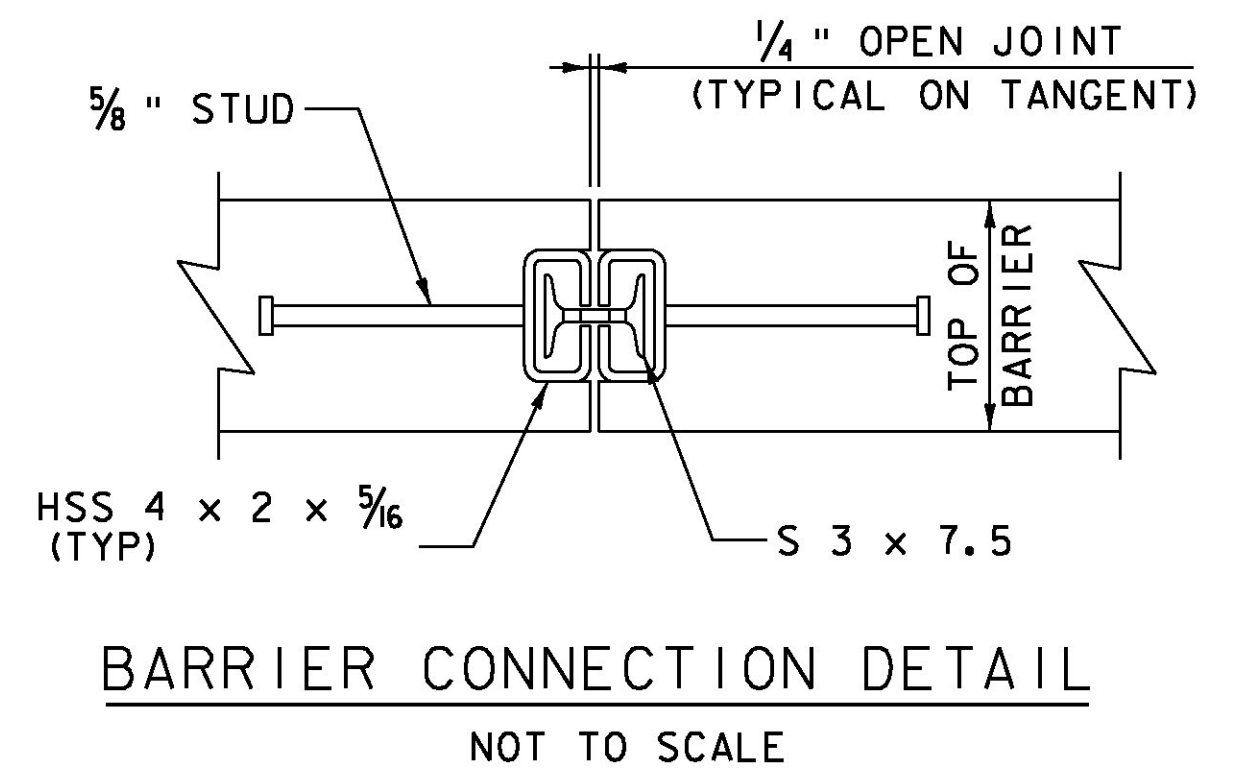
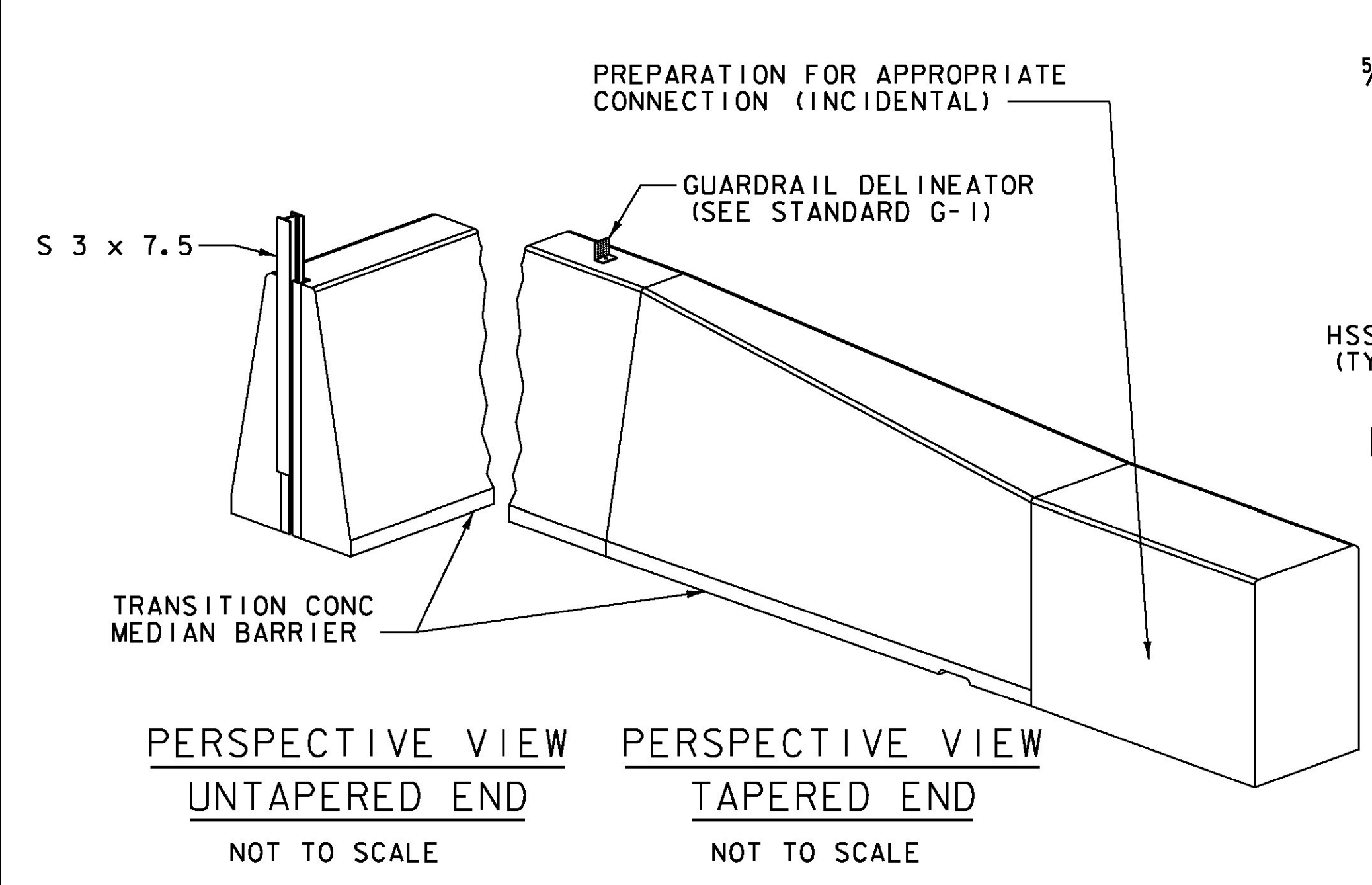
I-BEAM DETAILS
SCALE 3/4" = 1'-0"



SECTION A-A
SCALE 3/4" = 1'-0"



SECTION B-B
SCALE 3/4" = 1'-0"



NOTES: SEE SHEET 43.

PROJECT NAME:	ROCHESTER
PROJECT NUMBER:	ER STP 0162(19)
FILE NAME:	zlic334barrier_details.dgn
PROJECT LEADER:	S.E. BURBANK
DESIGNED BY:	VHB
BR 13 CONCRETE BARRIER DETAILS (2 OF 3)	
PLOT DATE:	8/19/2013
DRAWN BY:	E.A. FIALA
CHECKED BY:	S.E. BURBANK
SHEET	44 OF 238